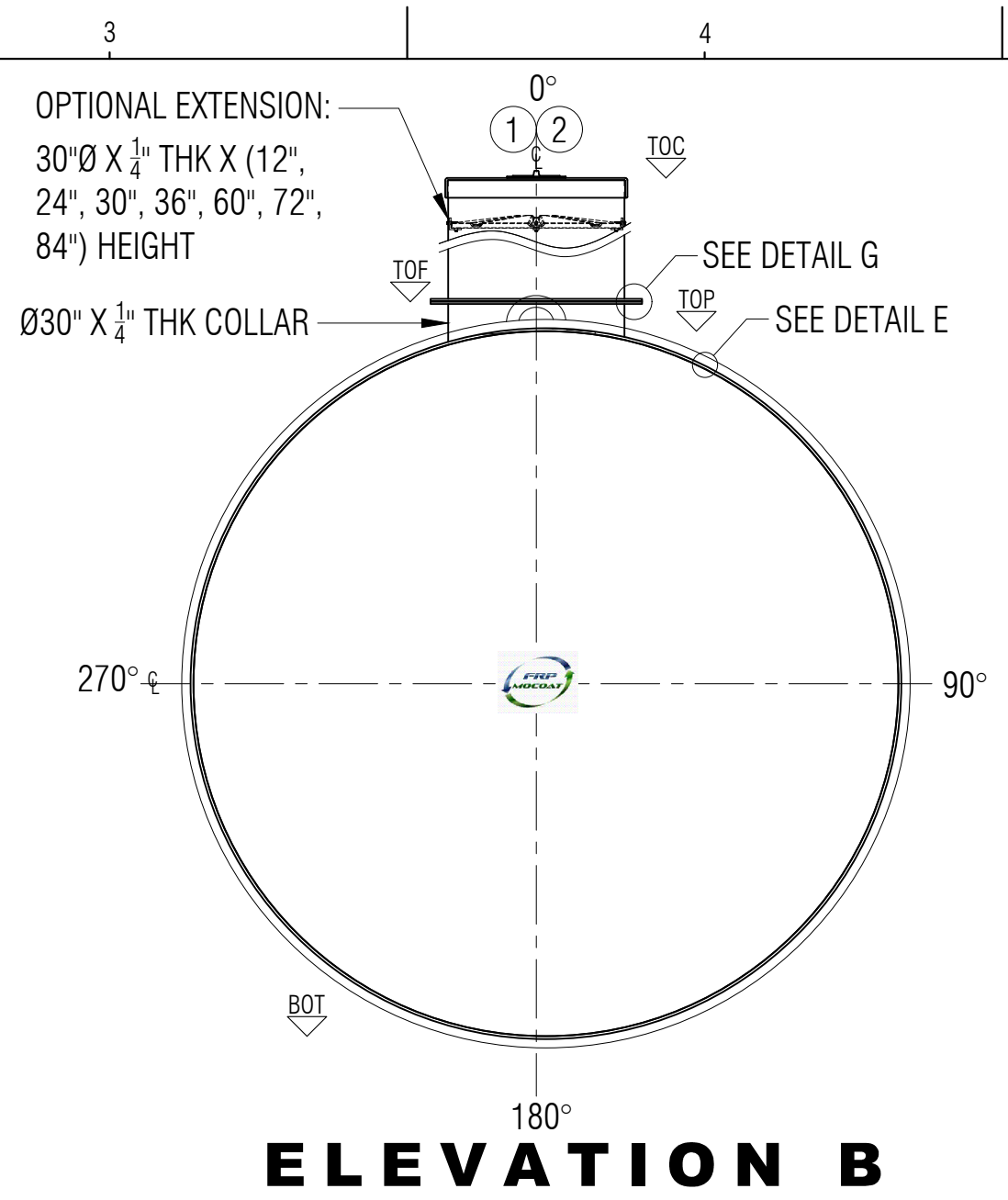
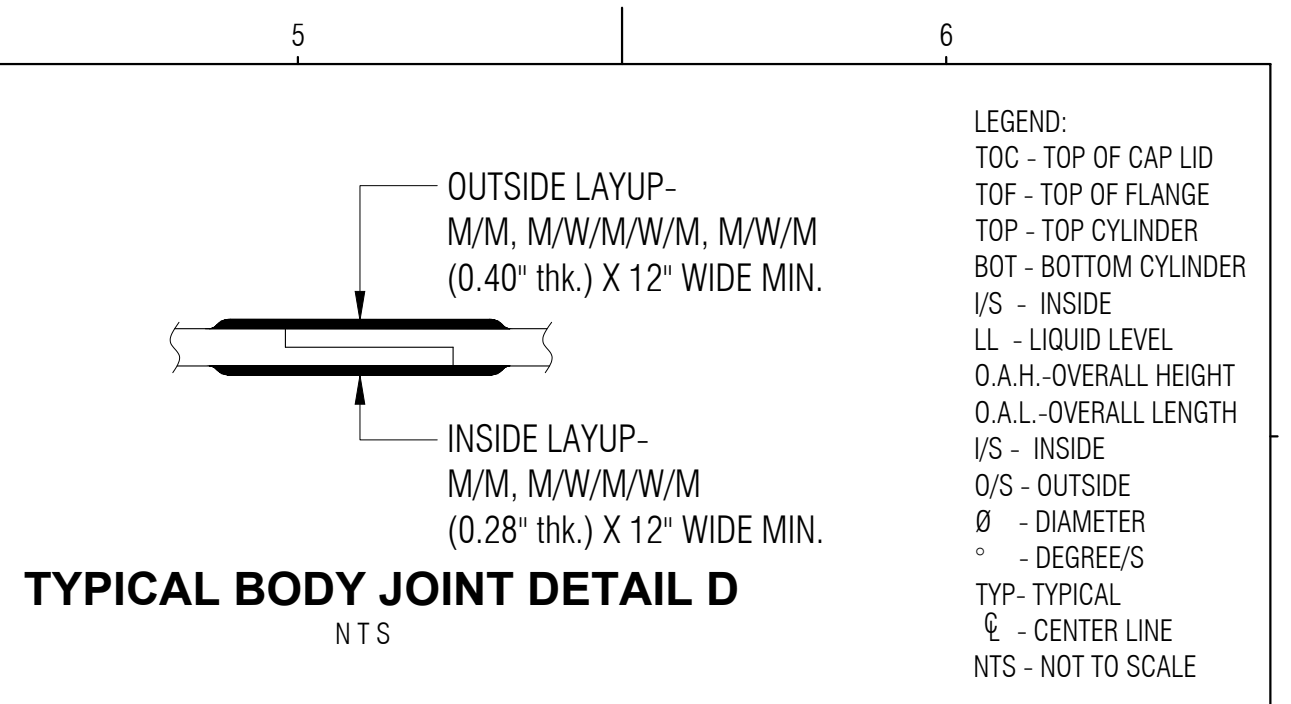


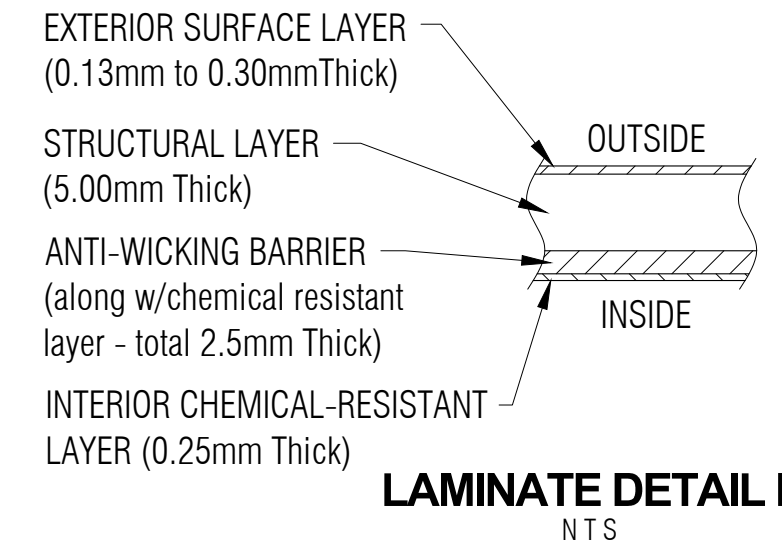
**PLAN**



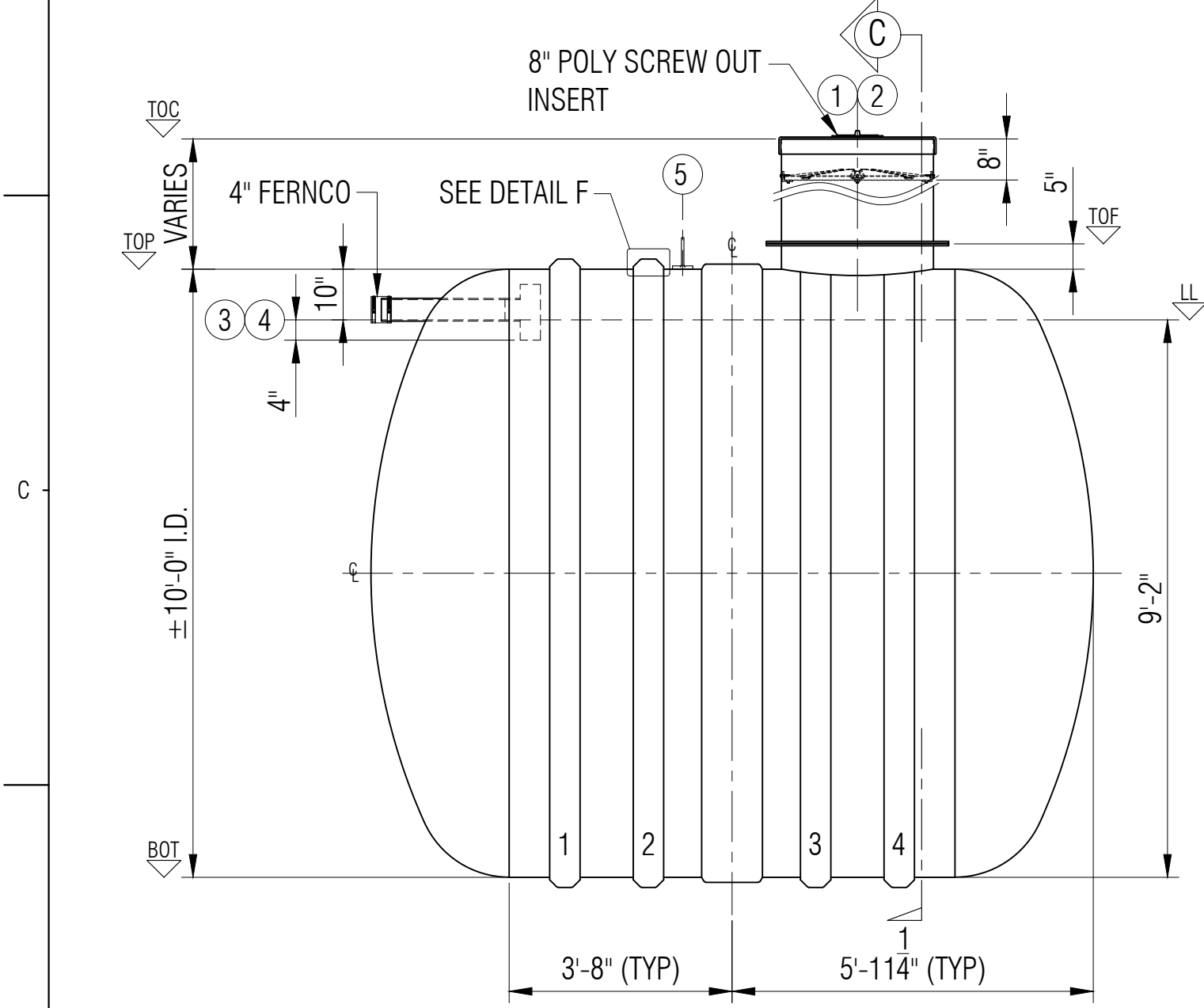
**ELEVATION B**



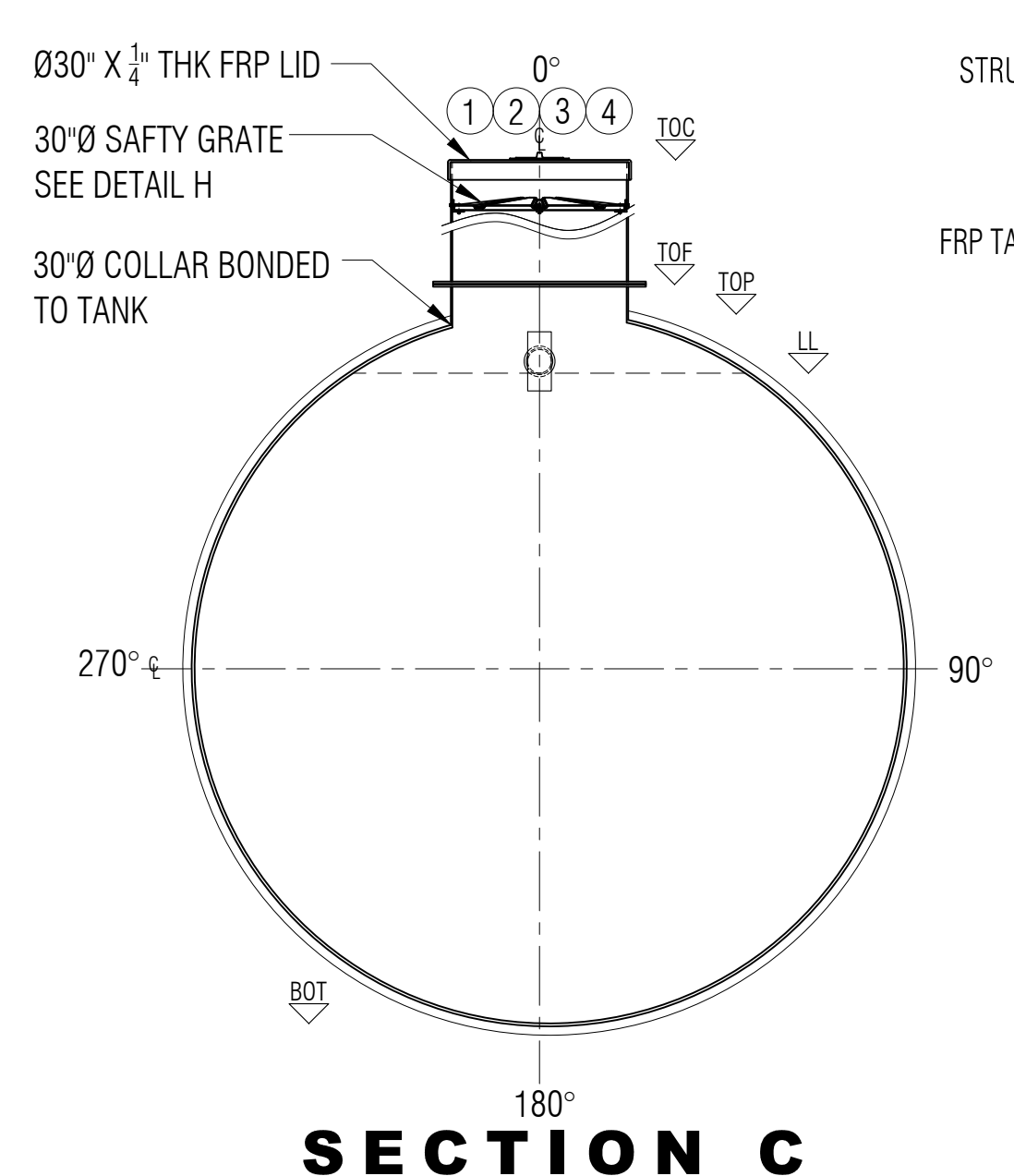
**TYPICAL BODY JOINT DETAIL D**  
NTS



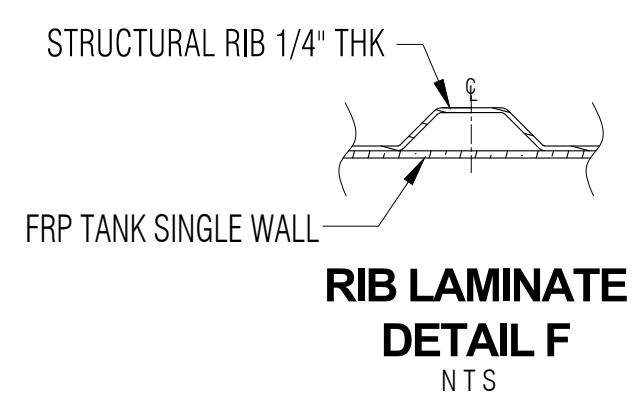
**LAMINATE DETAIL E**  
NTS



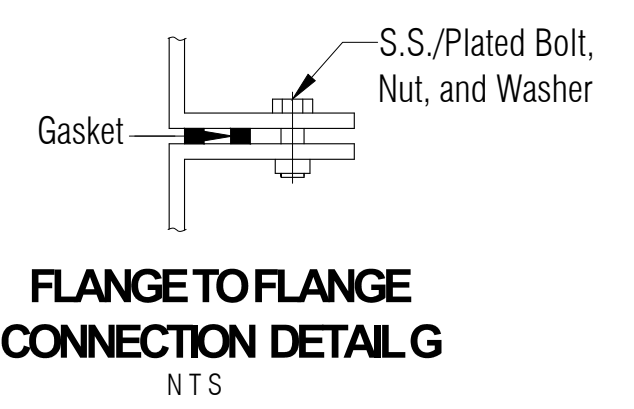
**ELEVATION A**



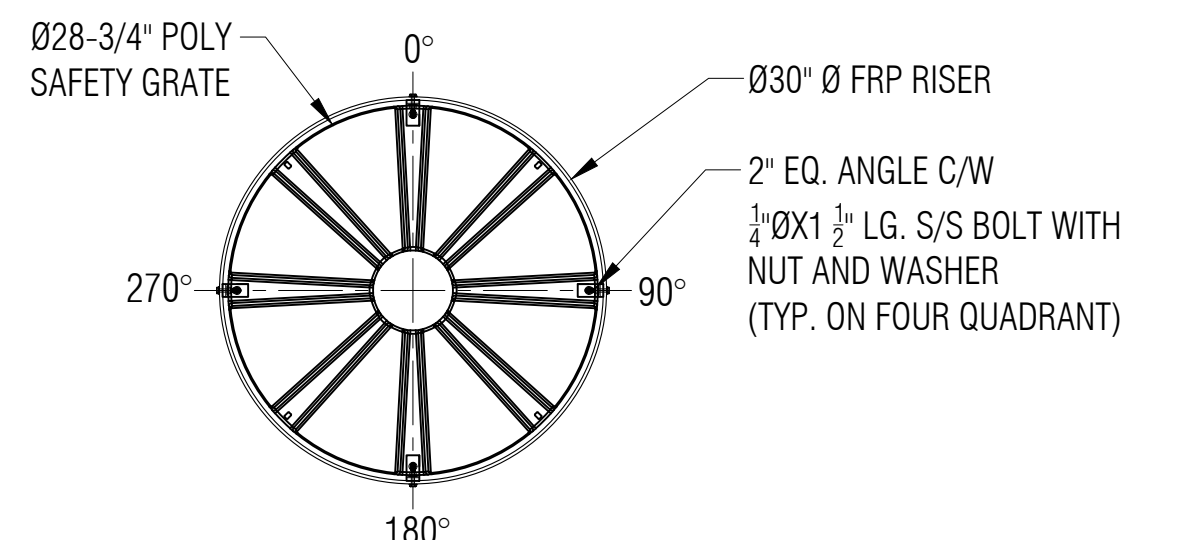
**SECTION C**



**RIB LAMINATE DETAIL F**  
NTS



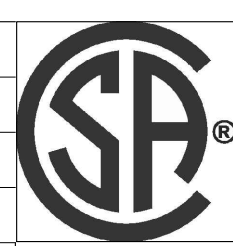
**FLANGE TO FLANGE CONNECTION DETAIL G**  
NTS



**SAFETY GRATE DETAIL H**  
SCALE: 1:15

**GENERAL NOTES:**  
 - CSA B66 CERTIFIED FRP TANK FOR WASTE WATER.  
 - RATED FOR 10' OF BURIAL DEPTH AND NO TRAFFIC LOADING.  
 - ALL DRILLED HOLES FLANGES TO BE COATED WITH RESIN.  
 - SAFETY DEVISE CAN WITHSTAND 91 KG. OF DEAD LOAD.  
 - DIMENSIONS SHOWN IN FEET INCHES FORMAT OTHERWISE NOTED.  
 - 1/2" FABRICATION TOLERANCE. DOES NOT APPLY TO LAMINATE THICKNESS.

ITEM#	QTY	PART LIST	DESCRIPTION	SHELL THICKNESS:	0.425"	DRAWN:	ATF
1	1	30" CAP LID W/ 8" D POLY SCREW OUT INSERT	FPR LID	DISH HEAD THICKNESS:	1.030"	CHECKED:	
2	1	30"Ø MANWAY COLLAR	30"Ø FRP COLLAR	RIBS THICKNESS:	0.300" + 2 WR (0.066") = .366"	DATE:	APR. 14, 2023
3	1	4" FERNCO	FLEXIBLE CONNECTOR	RIB SPACING:	16-1/2" (CL to CL)	DESIGNED:	
4	1	4"Ø PVC PIPE & TEEWYE	INLET	LENGTH:	3,619MM (11'-10 1/2")	APPROVED:	MPS
5	1	MILD STEEL	LIFT LUG	WORKING CAPACITY:	18,143L (3,991 IG/4,793 USG)	MFG:	DS
6	1	POLYETHYLENE SAFETY GRATE C/W HARDWARE	SAFETY GRATE	OVERALL CAPACITY:	19,720 L (4,338 IG/5,210 USG)	QA:	GA
				NUMBER OF RIBS:	4	SALES:	TA



CLIENT: FRP/MOCOAT FIBERGLASS LTD.		REVISION <b>0</b>
TITLE: <b>BX5000-DB FIBERGLASS HOLDING TANK</b>		
SIZE <b>C</b>	DRAWING NUMBER: <b>BX5000-DB</b>	SHEET <b>1/1</b>
	FRP/MOCOAT FIBERGLASS LTD.	
SCALE <b>1:30</b>	WEIGHT:	RATED 10'-0"
	BURIAL DEPTH:	