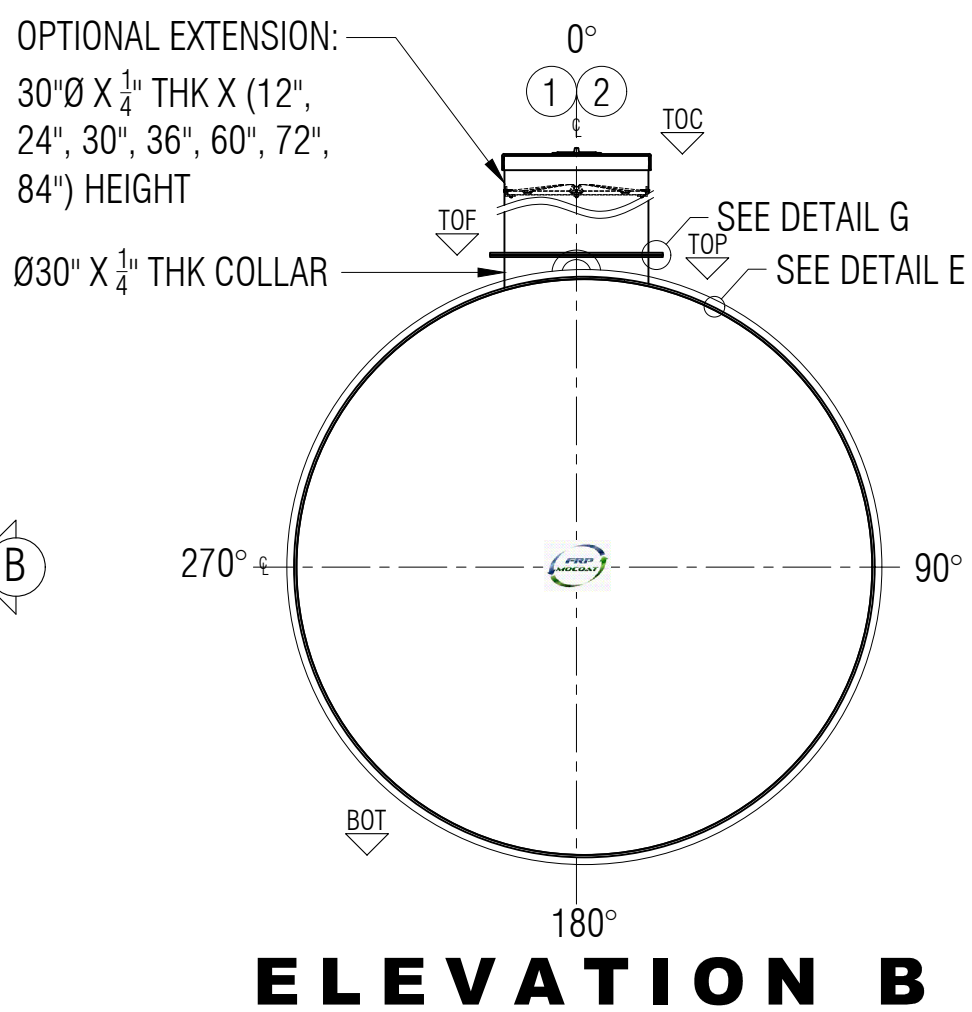
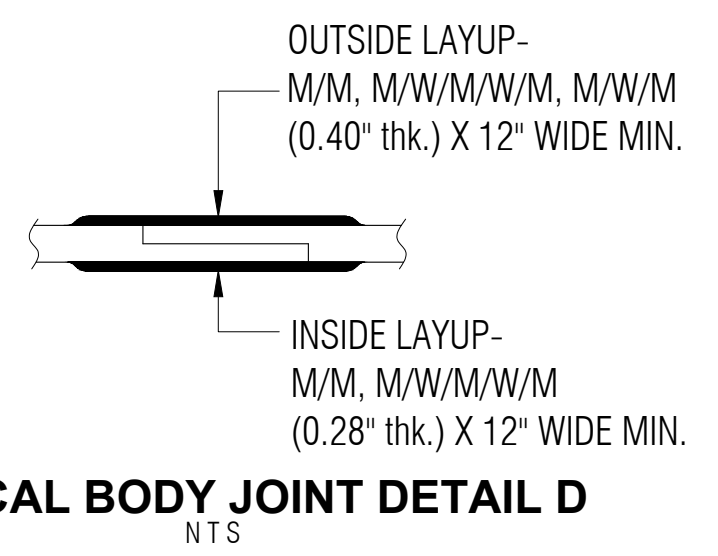


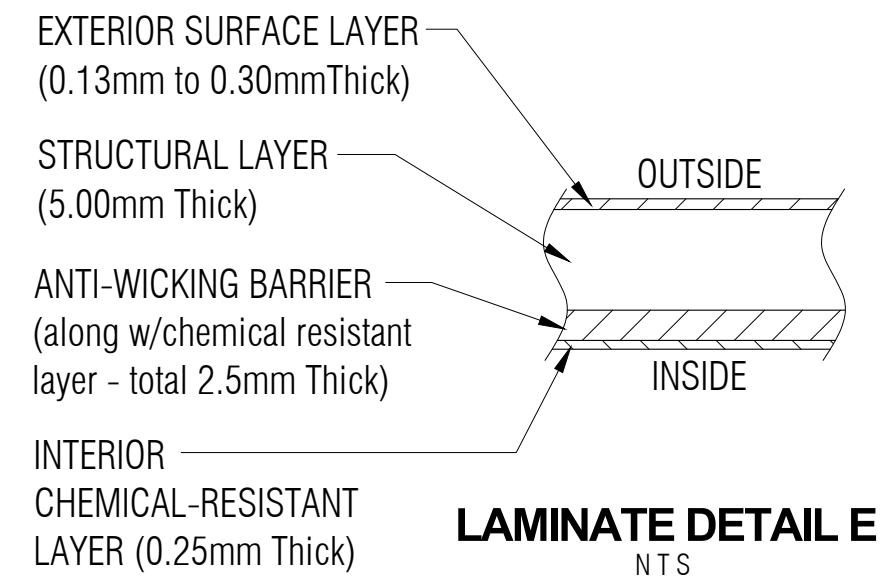
PLAN



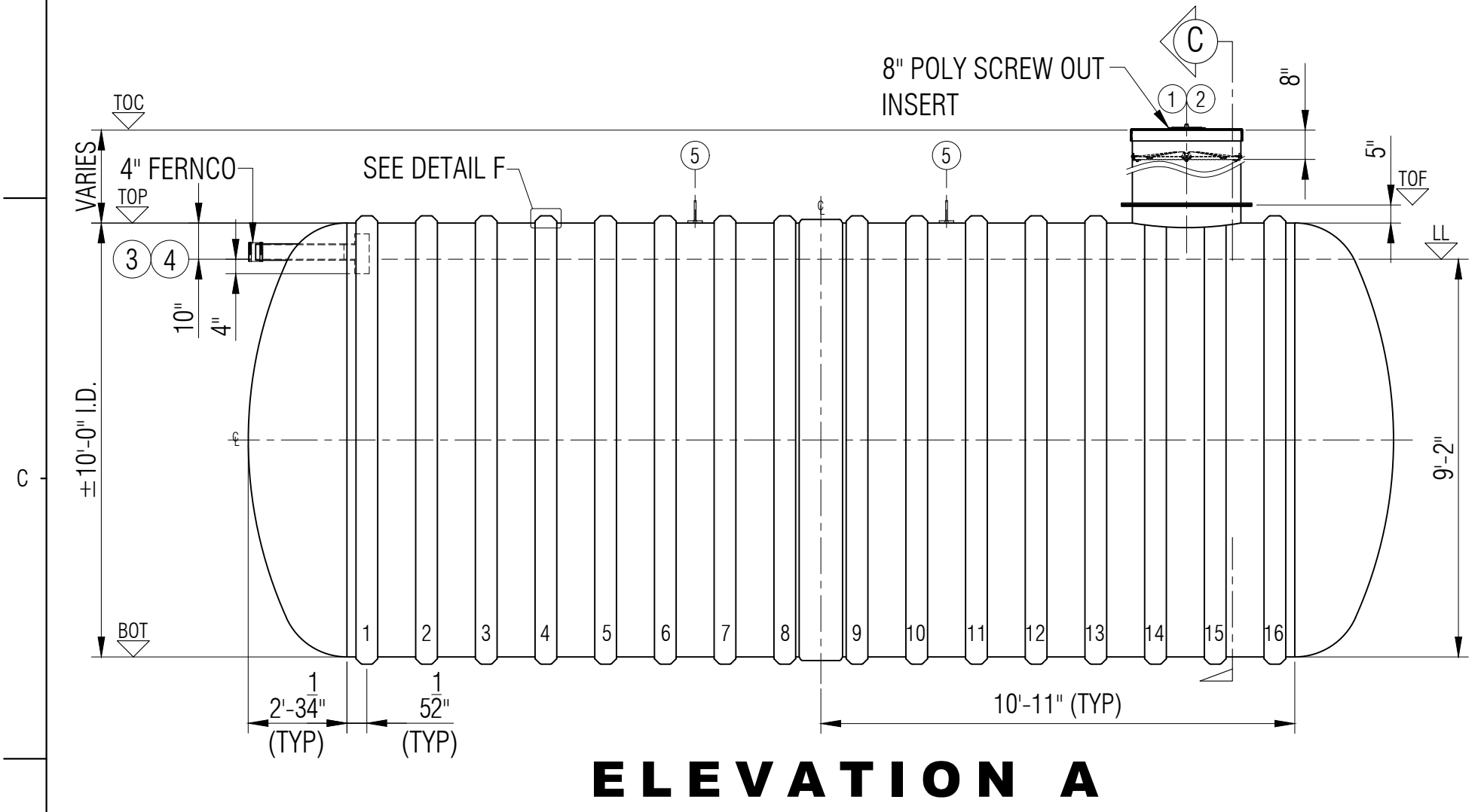
ELEVATION B



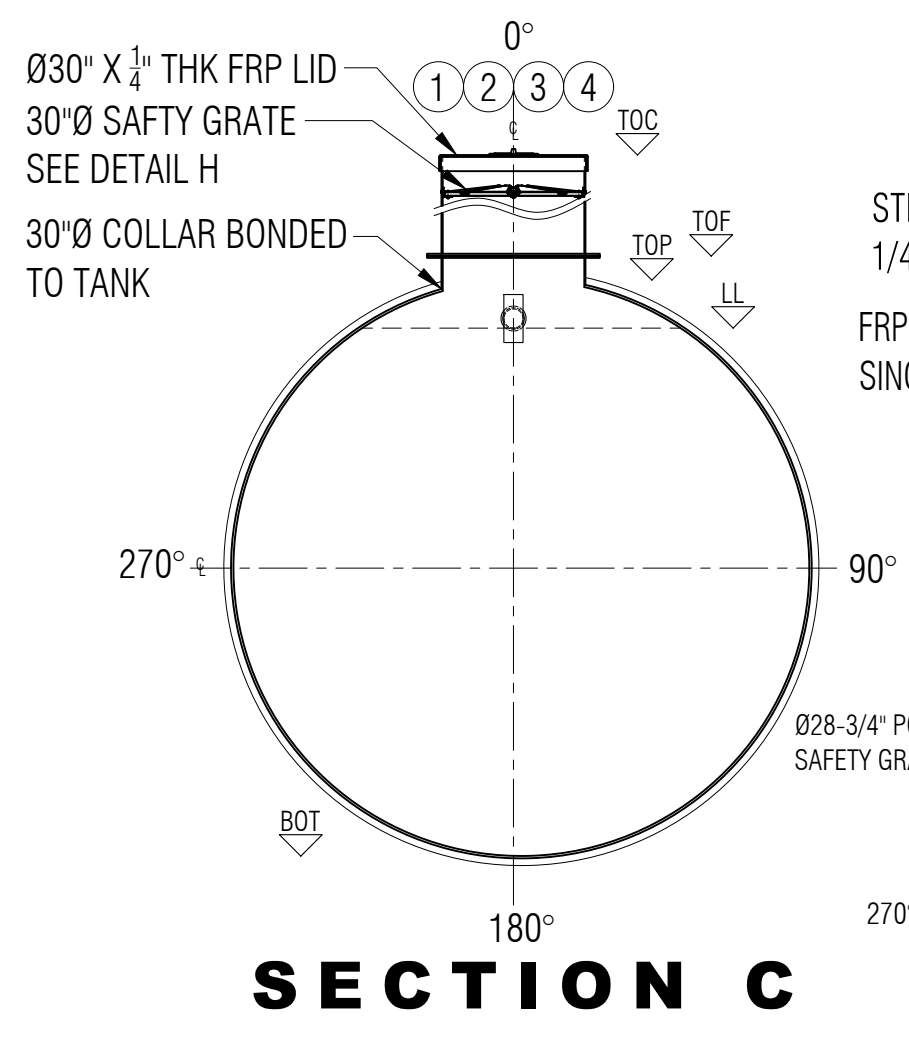
TYPICAL BODY JOINT DETAIL D
NTS



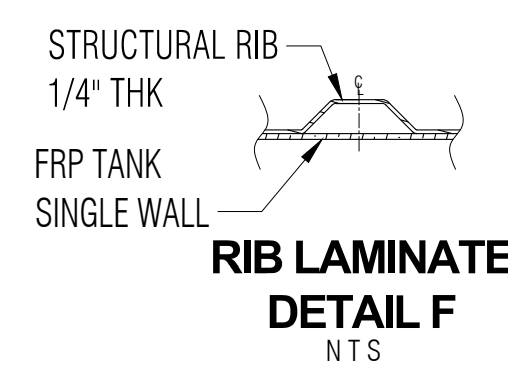
LAMINATE DETAIL E
NTS



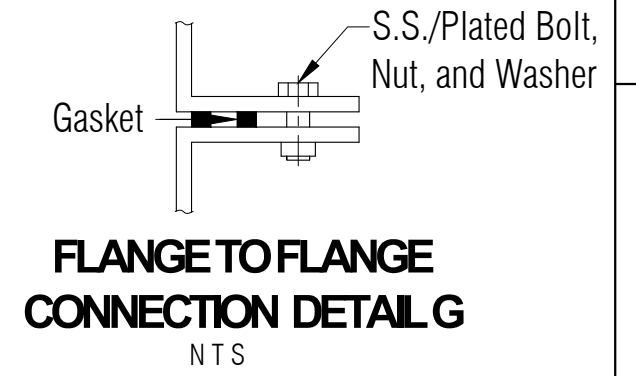
ELEVATION A



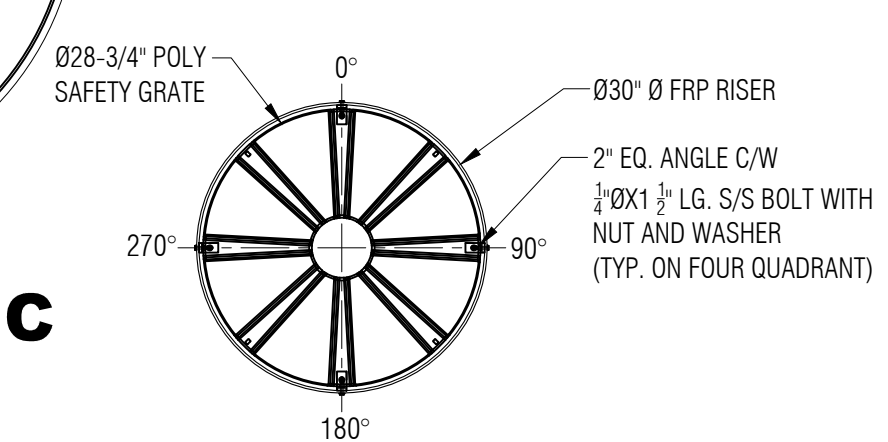
SECTION C



RIB LAMINATE DETAIL F
NTS



FLANGE TO FLANGE CONNECTION DETAIL G
NTS

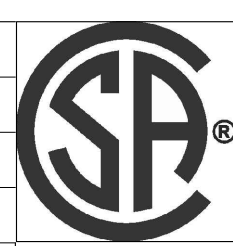


SAFETY GRATE DETAIL H
SCALE: 1:20

LEGEND:
 TOC - TOP OF CAP LID
 TOF - TOP OF FLANGE
 TOP - TOP CYLINDER
 BOT - BOTTOM CYLINDER
 I/S - INSIDE
 LL - LIQUID LEVEL
 O.A.H.-OVERALL HEIGHT
 O.A.L.-OVERALL LENGTH
 I/S - INSIDE
 O/S - OUTSIDE
 Ø - DIAMETER
 ° - DEGREE/S
 TYP- TYPICAL
 - CENTER LINE
 NTS - NOT TO SCALE

GENERAL NOTES:
 - CSA B66 CERTIFIED FRP TANK FOR WASTE WATER.
 - RATED FOR 10' OF BURIAL DEPTH AND NO TRAFFIC LOADING.
 - ALL DRILLED HOLES FLANGES TO BE COATED WITH RESIN.
 - SAFETY DEVICE CAN WITHSTAND 91 KG. OF DEAD LOAD.
 - DIMENSIONS SHOWN IN FEET INCHES FORMAT OTHERWISE NOTED.
 - 1/2" FABRICATION TOLERANCE. DOES NOT APPLY TO LAMINATE THICKNESS.

| ITEM# | QTY | PART LIST | DESCRIPTION | SHELL THICKNESS: | 0.425" | DRAWN: | ATF |
|-------|-----|--|--------------------|----------------------|--------------------------------|-----------|---------------|
| 1 | 1 | 30" CAP LID W/ 8"Ø POLY SCREW OUT INSERT | FPR LID | DISH HEAD THICKNESS: | 1.030" | CHECKED: | |
| 2 | 1 | 30"Ø MANWAY COLLAR | 30"Ø FRP COLLAR | RIBS THICKNESS: | 0.300"+2 WR (0.066")=.366" | DATE: | APR. 14, 2023 |
| 3 | 1 | 4" FERNCO | FLEXIBLE CONNECTOR | RIB SPACING: | 16-1/2" (CL to CL) | DESIGNED: | |
| 4 | 1 | 4"Ø PVC PIPE & TEEWYE | INLET | LENGTH: | 8,039MM (26'-4 1/2") | APPROVED: | MPS |
| 5 | 2 | MILD STEEL | LIFT LUGS | WORKING CAPACITY: | 47,070 L (10,354IG/12,435 USG) | MFG: | DS |
| 6 | 1 | POLYETHYLENE SAFETY GRATE C/W HARDWARE | SAFETY GRATE | OVERALL CAPACITY: | 51,970 L (11,432IG/13,730 USG) | PM: | GA |
| | | | | NUMBER OF RIBS: | 16 | SALES: | TA |



CLIENT: FRP/MOCOAT FIBERGLASS LTD.
 TITLE: **BX12000-DB FIBERGLASS HOLDING TANK**

FRP MOCOAT
 FIBERGLASS LTD.

SIZE: **C** DRAWING NUMBER: **BX12000-DB** REVISION: **0**

SCALE: **1:40** WEIGHT: BURIAL DEPTH: RATED 10'-0" SHEET: **1/1**