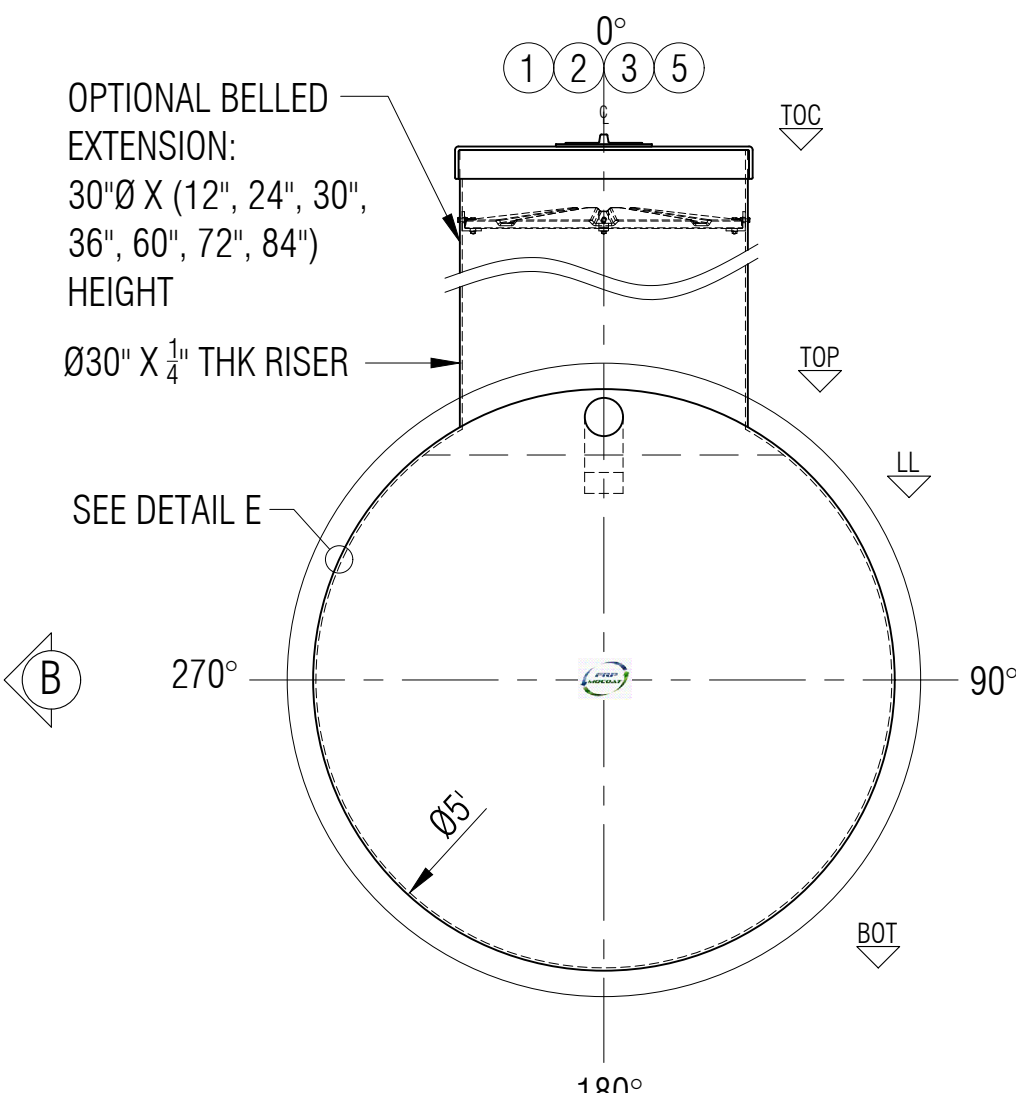
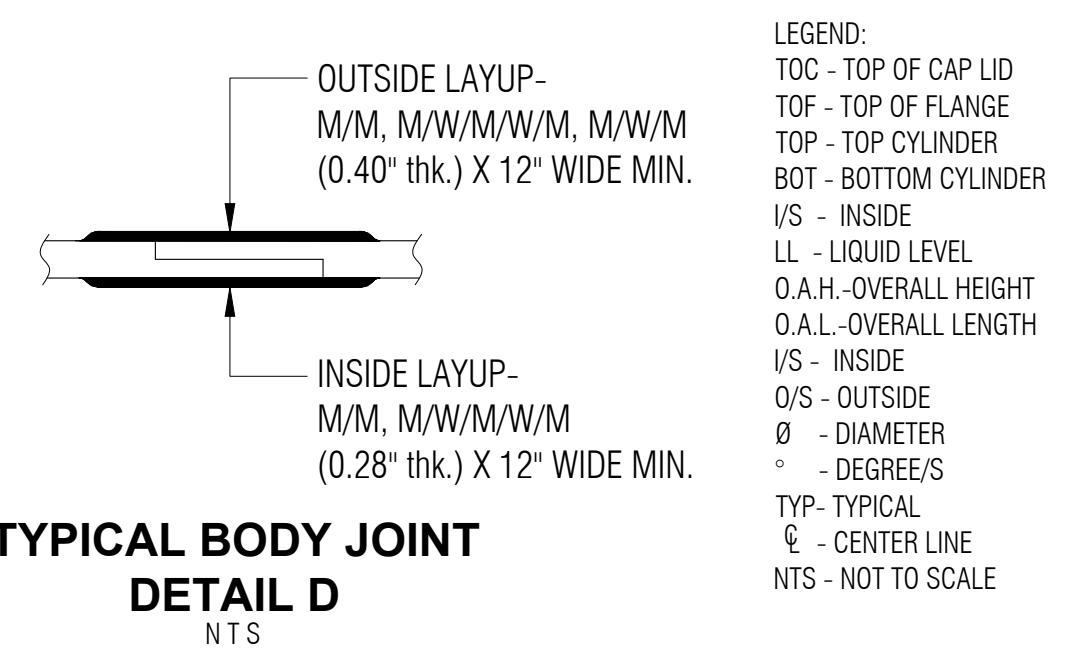


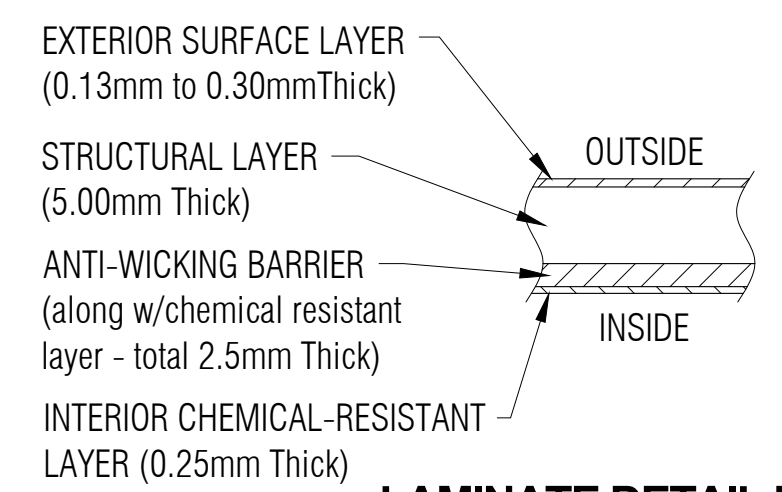
PLAN



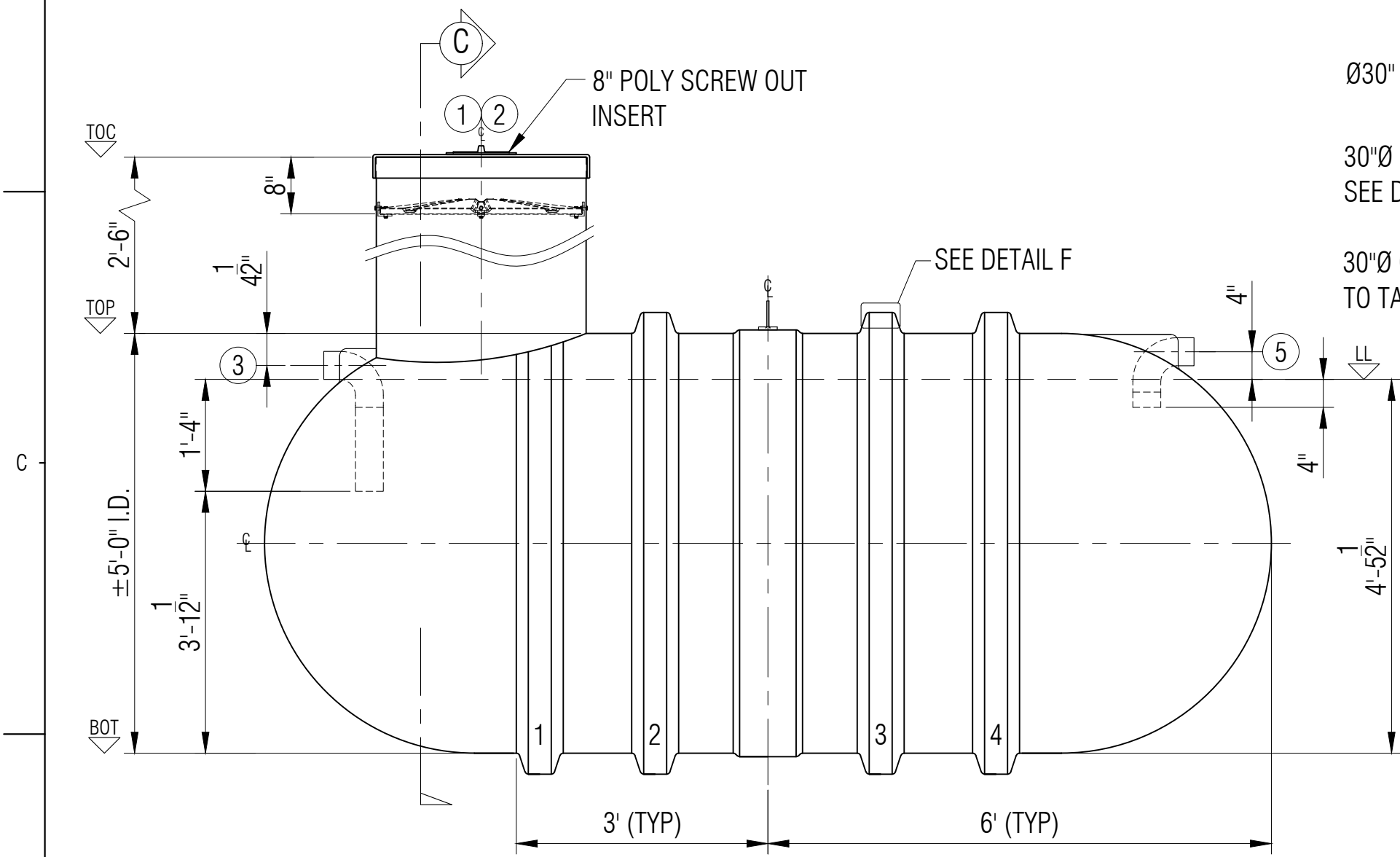
ELEVATION B



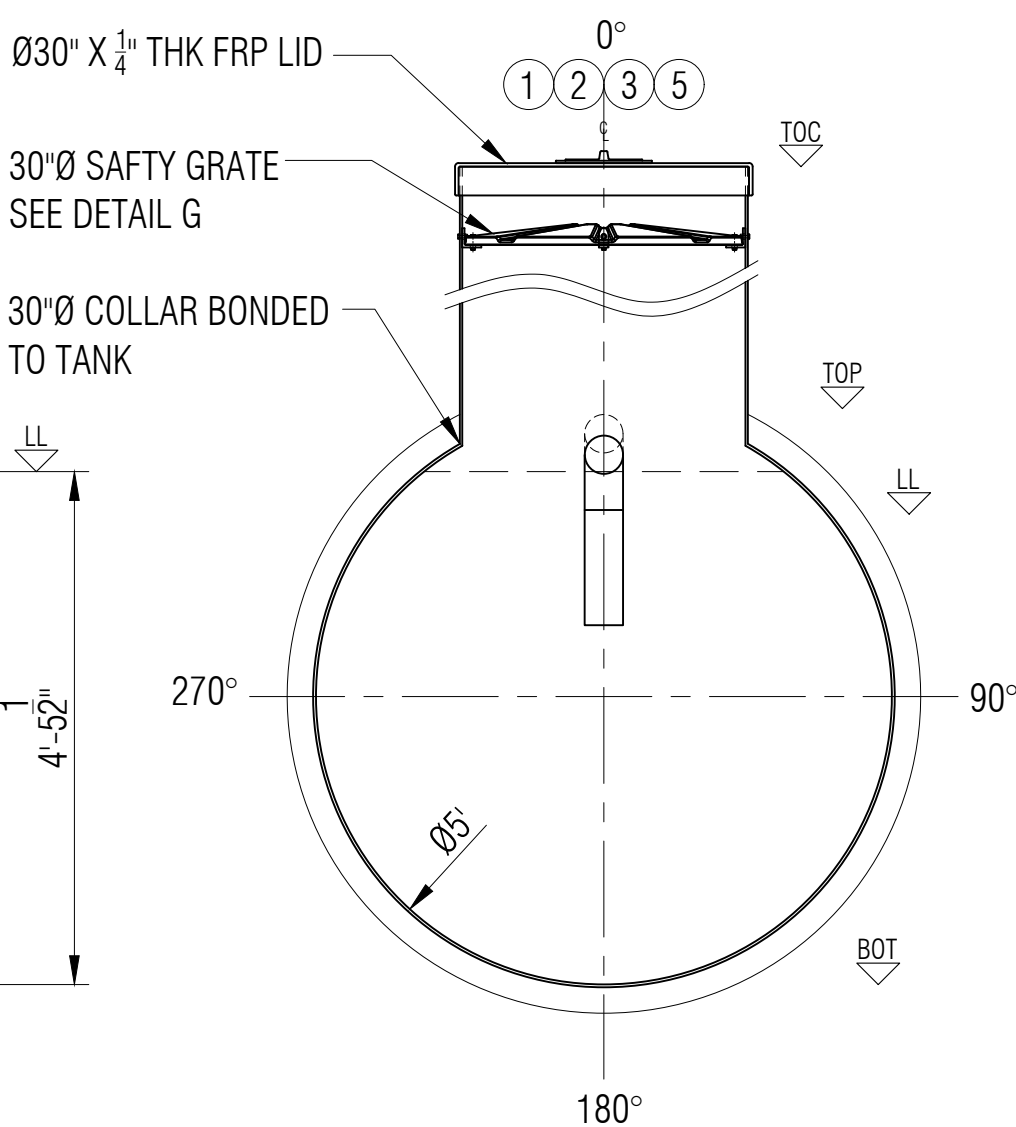
**TYPICAL BODY JOINT
DETAIL D**
NTS



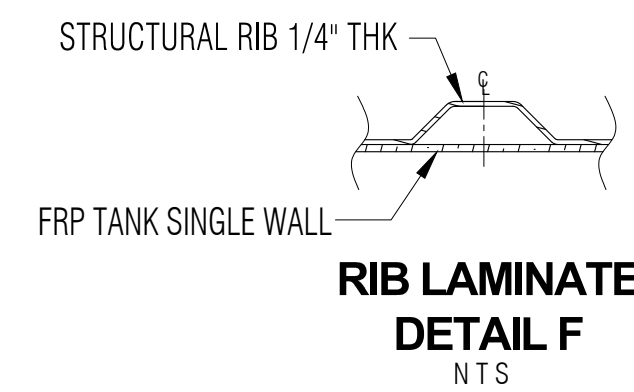
LAMINATE DETAIL E
NTS



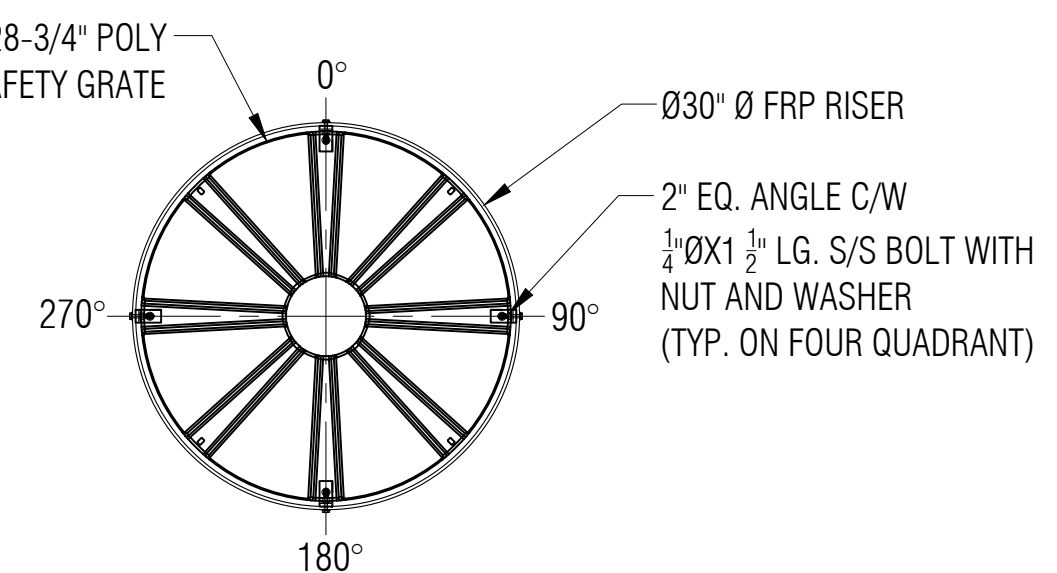
ELEVATION A



SECTION C



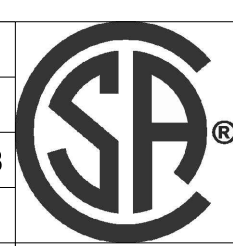
**RIB LAMINATE
DETAIL F**
NTS



**SAFETY GRATE
DETAIL G**
SCALE: 1:15

GENERAL NOTES:
 - CSA B66 CERTIFIED FRP SEWAGE HOLDING TANK.
 - RATED FOR 7' OF BURIAL DEPTH AND NO TRAFFIC LOADING.
 - ALL DRILLED HOLES FLANGES TO BE COATED WITH RESIN.
 - SAFETY DEVISE CAN WITHSTAND 91 KG. OF DEAD LOAD.
 - DIMENSIONS SHOWN IN FEET INCHES FORMAT OTHERWISE NOTED.
 - 1/2" FABRICATION TOLERANCE. DOES NOT APPLY TO LAMINATE THICKNESS.

ITEM#	QTY	PART LIST	DESCRIPTION	SHELL THICKNESS:	0.300"	DRAWN:	ATF
1	1	30" CAP LID W/ 8"Ø POLY SCREW OUT INSERT	FRP LID	DISH HEAD THICKNESS:	0.300"	CHECKED:	
2	1	30"Ø MANWAY COLLAR	30"Ø FRP COLLAR	RIBS THICKNESS:	0.25" WITH 1 WR	DATE:	JUNE 01, 2023
3	1	4" PVC-DWV 90°	OULET	RIB SPACING:	16-1/2" CL TO CL	DESIGNED:	
4	1	MID STEEL	LIFT LUG	WEIGHT:	283KG (625LBS)	APPROVED:	MPS
5	1	4" PVC-DWV 90°	INLET	LENGTH:	3,658MM (12'-0")	MFG:	DS
6	1	SAFETY GRATE C/W HARDWARE	SAFETY GRATE	WORKING CAPACITY:	5,344 L (1,175 IG/1,410 USG)	QA:	GA
7				OVERALL CAPACITY:	5,682 L (1,250 IG/1,500 USG)	SALES:	TA



CLIENT: FRP/MOCOAT FIBERGLASS LTD.			FRP/MOCOAT FIBERGLASS LTD.
TITLE: T1250 FRP TRICKLE TANK			
SIZE: C	DRAWING NUMBER: T1250	REVISION: 0	
SCALE: 1:20	WEIGHT:	SHEET: 1/1	
BURIAL DEPTH:	RATED 7'-0"		