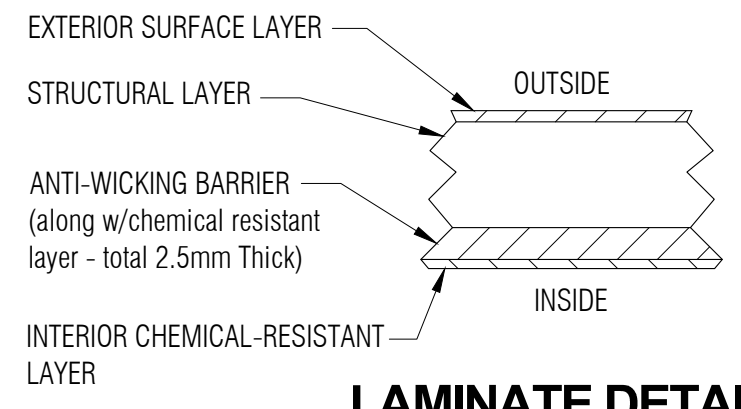
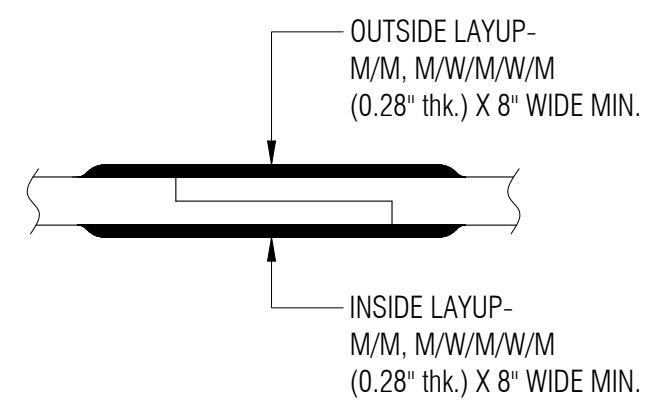


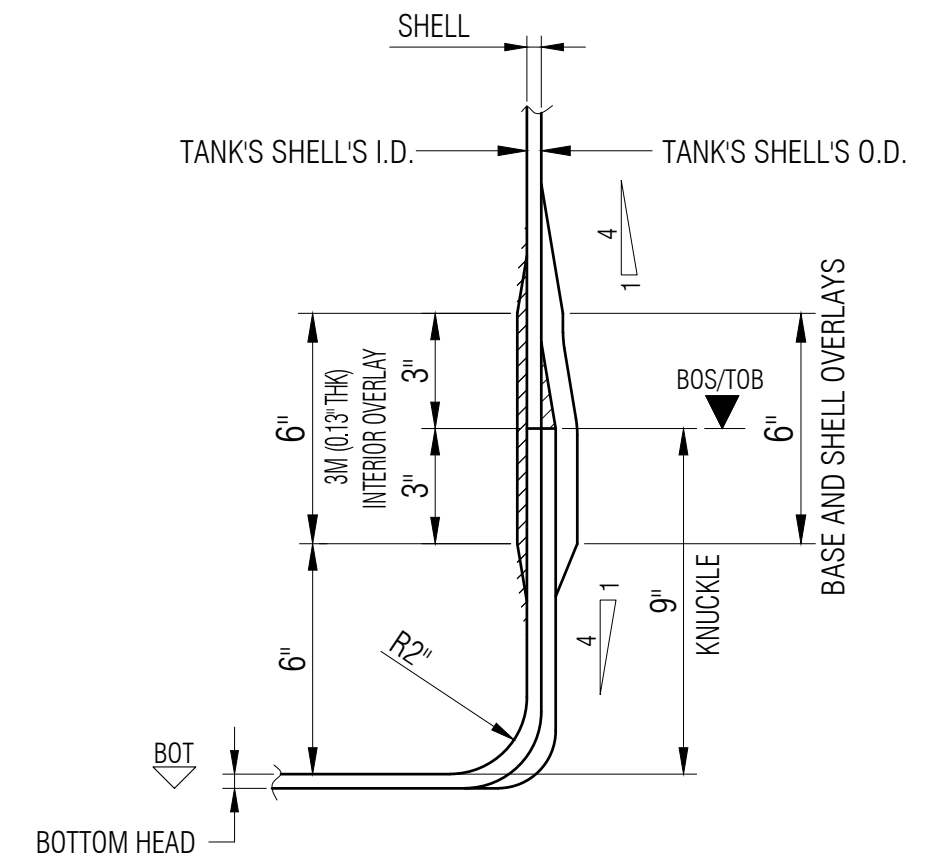
PLAN



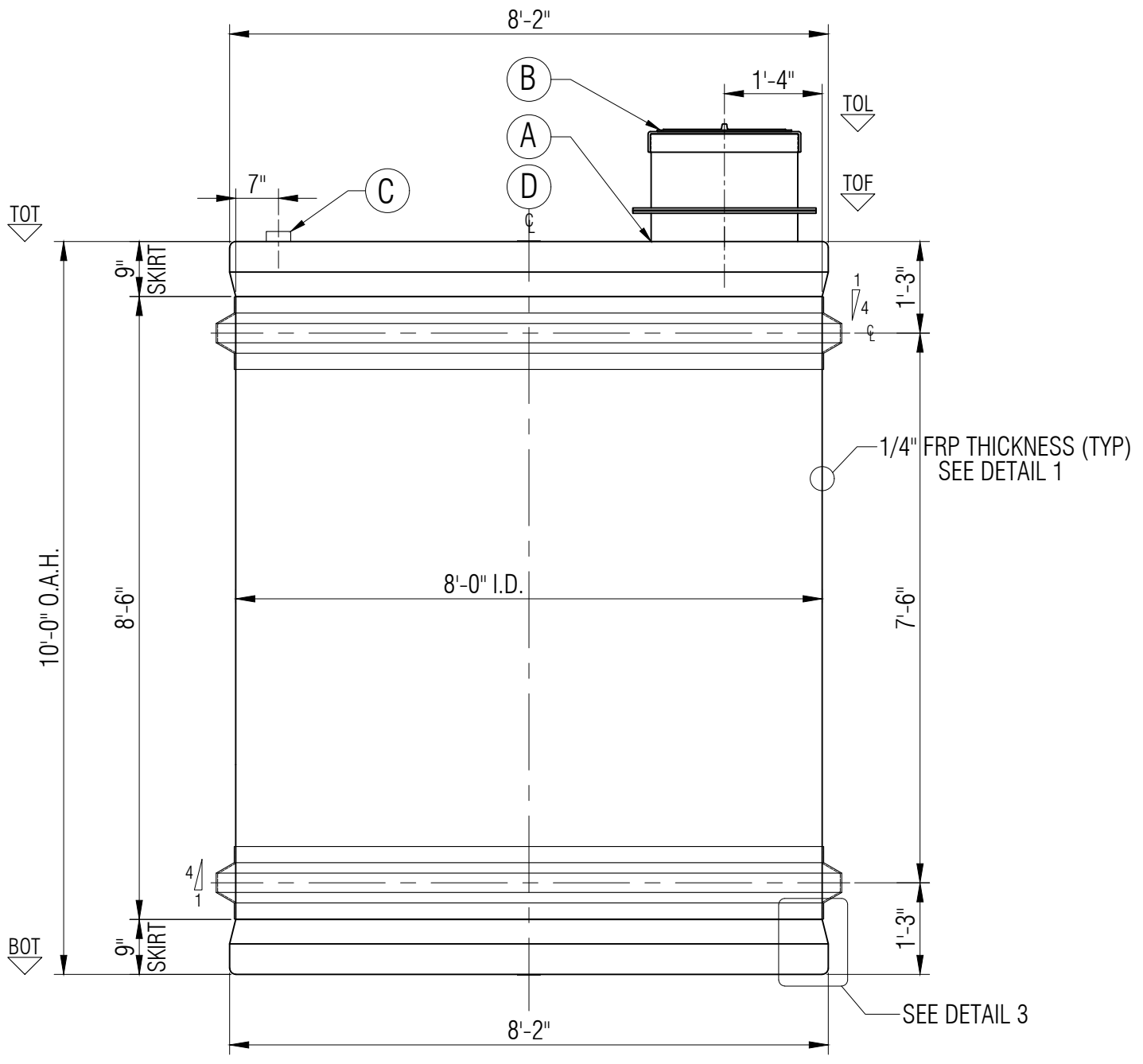
LAMINATE DETAIL 1
NTS



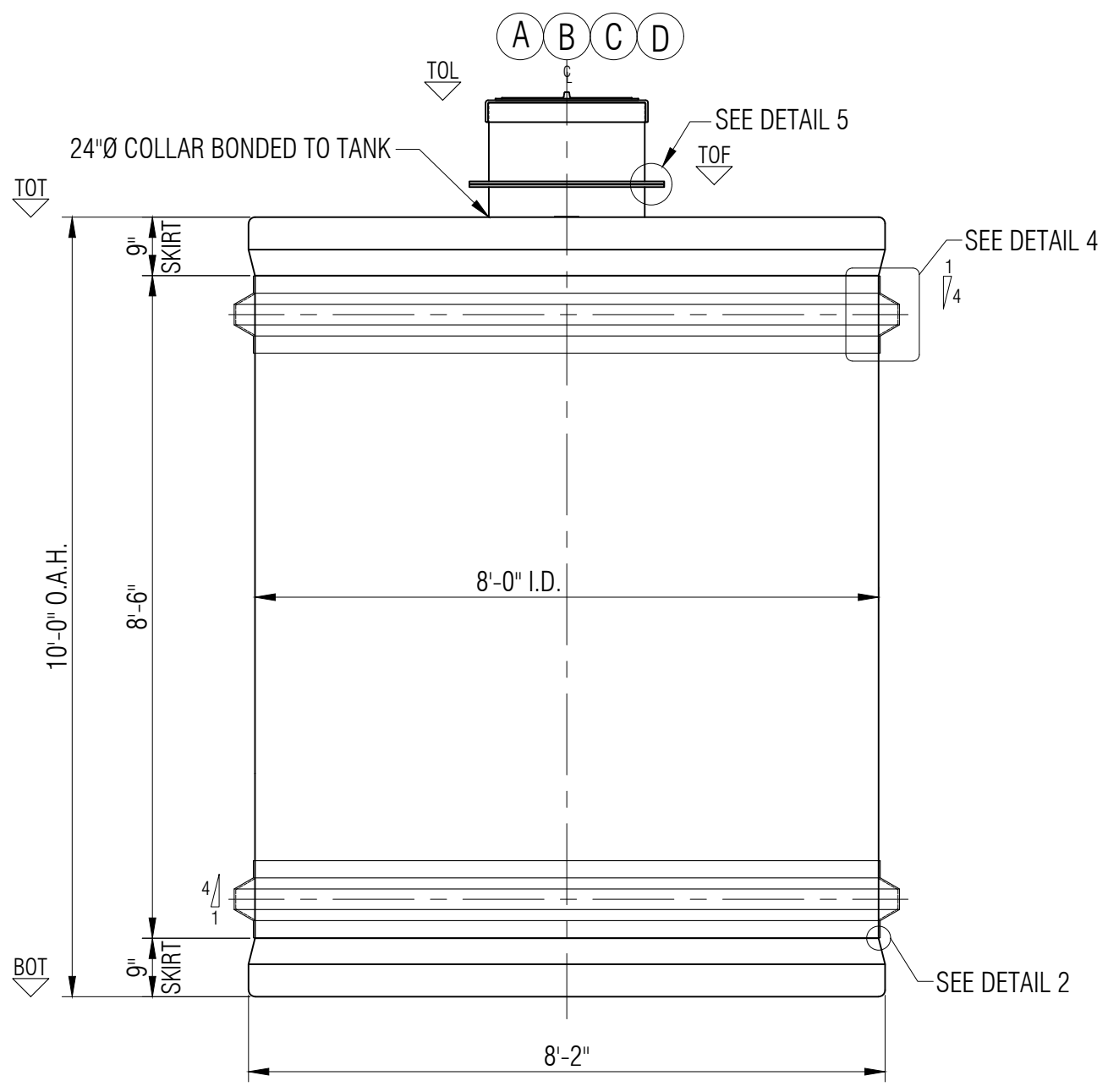
TYPICAL BODY JOINT DETAIL 2
NTS



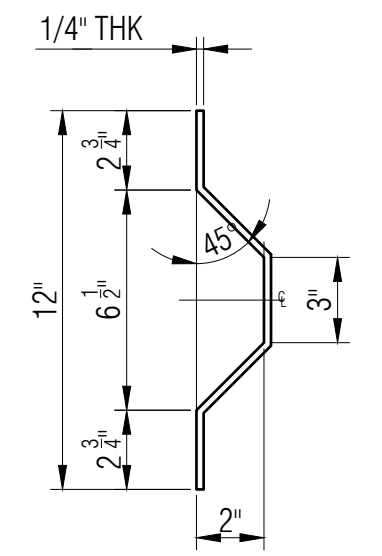
KNUCKLE/BASE/TOP/SHELL DETAIL 3
NTS



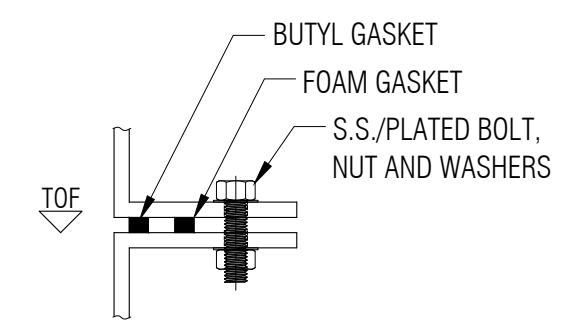
ELEVATION A



ELEVATION A



SHELL RIB DETAIL 4
NTS



FLANGE TO FLANGE CONNECTION DETAIL 5
NTS

GENERAL NOTES:
 - CSA B66 CERTIFIED FOR SEWAGE.
 - TANK COMES FULLY ASSEMBLED FROM FACTORY.
 - TANK THICKNESS GRADUATES FROM 0.25" THK. AT THE TOP OF THE TANK TO 0.3125" AT THE BASE OF THE TANK.
 - DIMENSIONS SHOWN IN FEET INCHES FORMAT OTHERWISE NOTED.
 - 1/2" FABRICATION TOLERANCE. DOES NOT APPLY TO LAMINATE THICKNESS.

LEGEND:
 TOT - TOP OF TANK
 TOL - TOP OF LID
 TOF - TOP OF FLANGE
 BOT - BOTTOM OF TANK
 I/S - INSIDE
 O.A.H.-OVERALL HEIGHT
 I/S - INSIDE
 O/S - OUTSIDE
 Ø - DIAMETER
 ° - DEGREE/S
 TYP- TYPICAL
 CL - CENTER LINE
 NTS - NOT TO SCALE

ITEM#	QTY	PART LIST/DESCRIPTION	APPROX. WEIGHT:	680KG (1,500LBS.)	DRAWN:	ATF
A	1	24"Ø MANWAY FRP FLANGE COLLAR	OVERALL CAPACITY:	13,640L (3,000IG/3,600 USG)	CHECKED:	
B	1	24"Ø FLAT LID W/ 22"Ø POLY SCREWOUT LID			DATE:	FEB. 08, 2024
C	1	4"Ø PVC-DWV COUPLING - INLET			DESIGNED:	
D	1	NAMEPLATE			APPROVED:	MPS
E					MFG:	DS
F					PM:	GA
G					SALES:	DG

CLIENT: FRP/MOCOAT FIBERGLASS LTD.
 TITLE: **AGS3000-L SEWAGE STORAGE TANK**

FRP MOCOAT
 FIBERGLASS LTD.

SIZE: C
 DRAWING NUMBER: AGS3000-L
 REVISION: 0

SCALE: 1:25
 EST#: SO#: SHEET: 1/1
 PO#: JOB#: