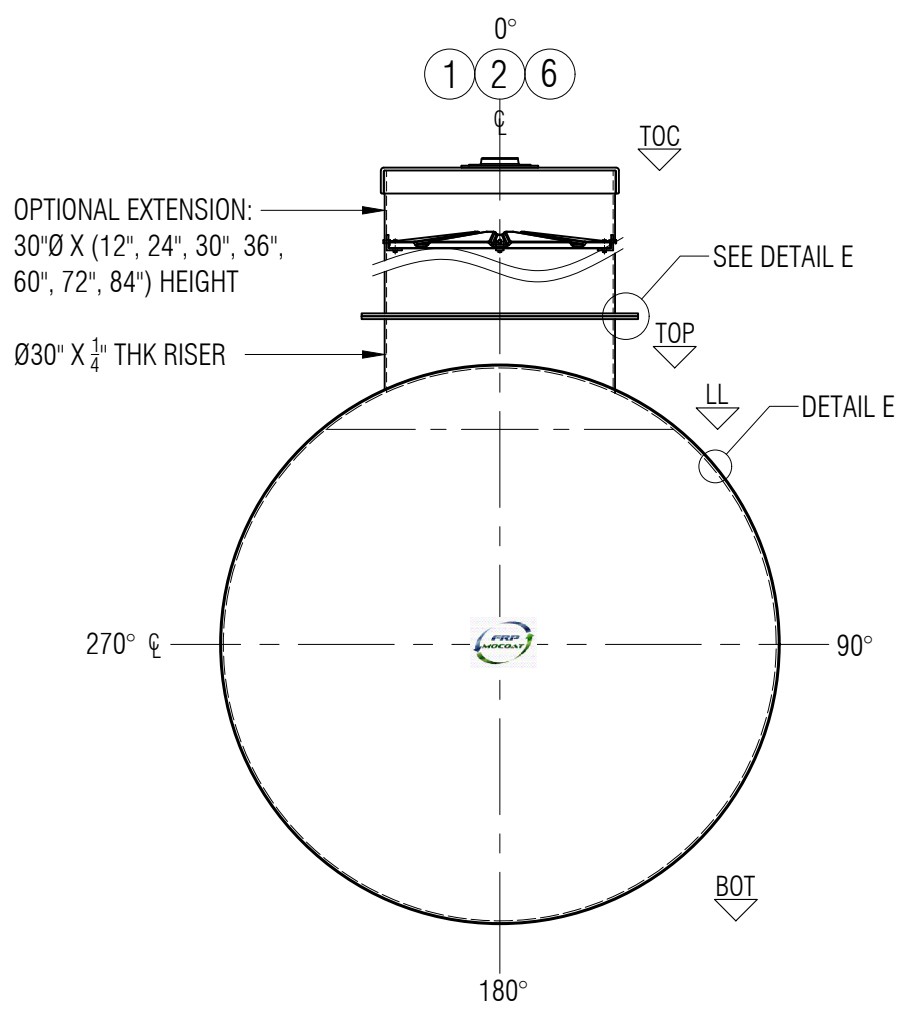
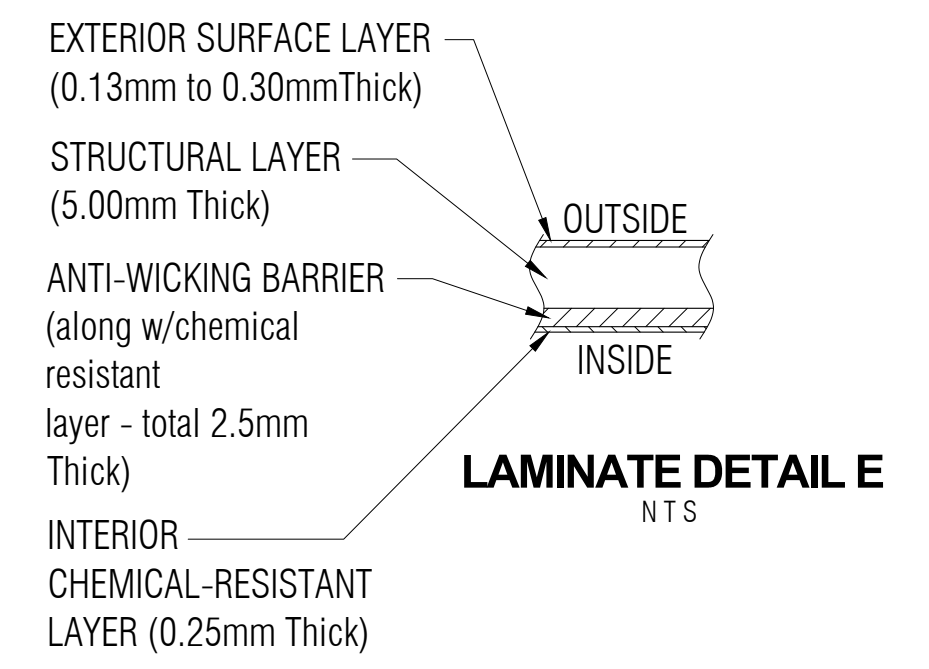


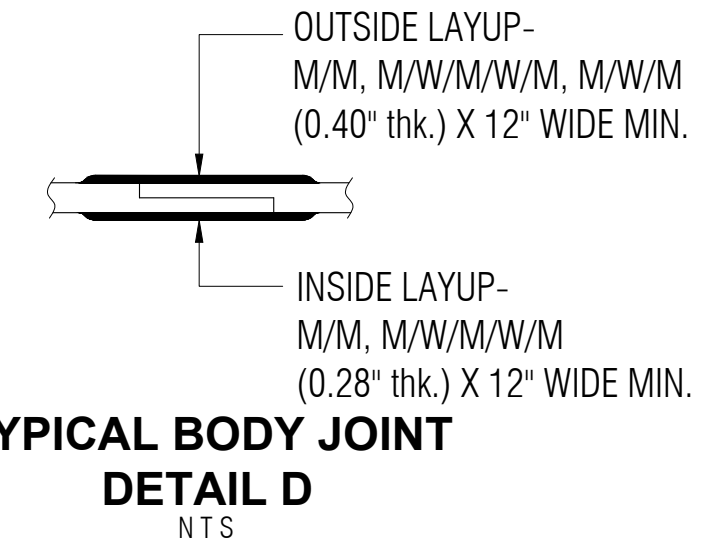
PLAN



ELEVATION "B"

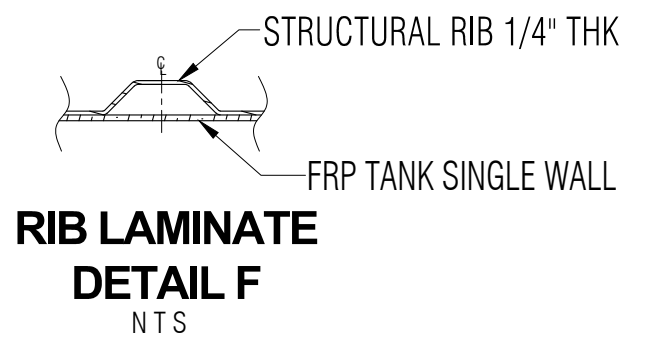


LAMINATE DETAIL E
NTS

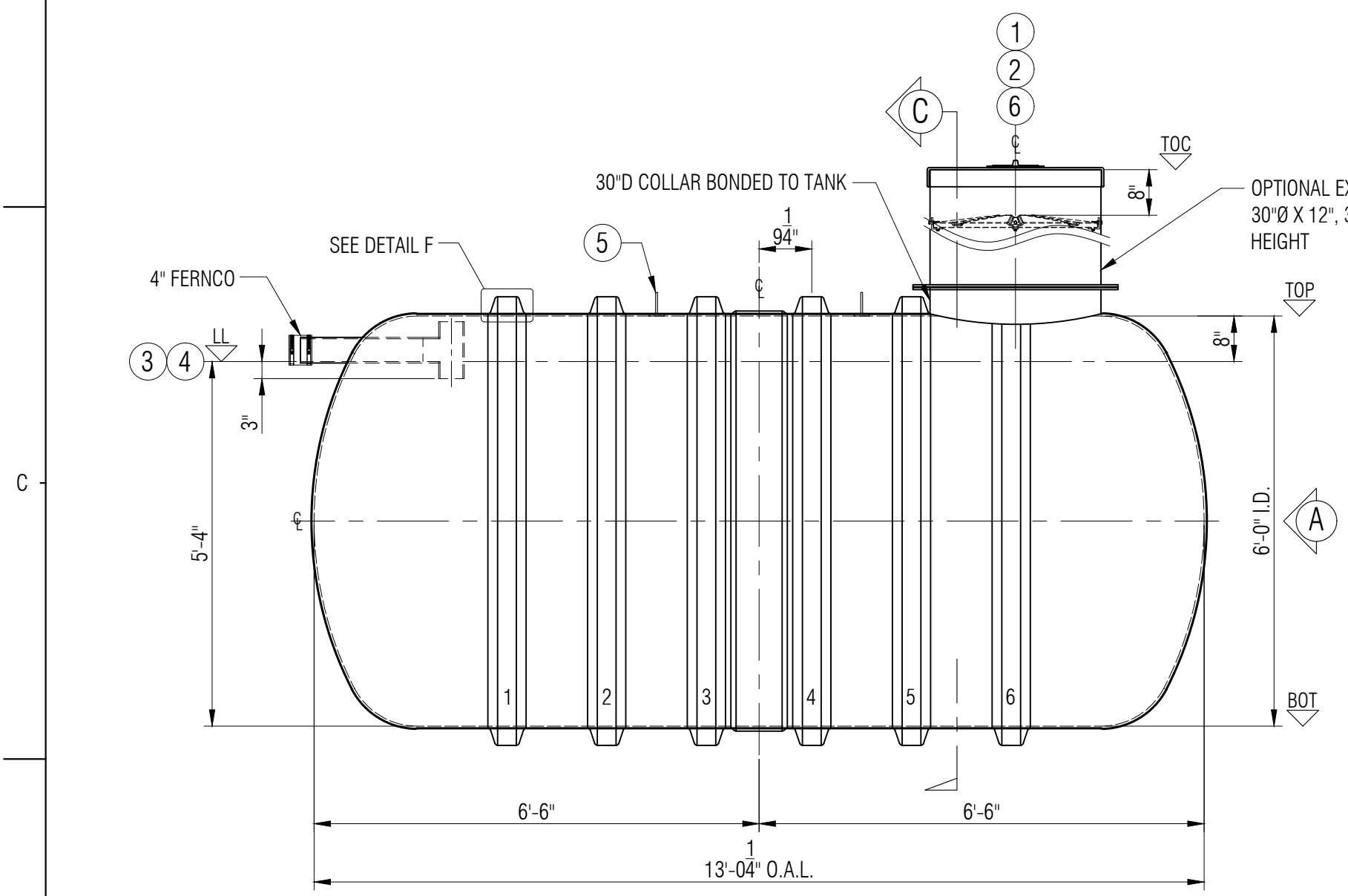


TYPICAL BODY JOINT DETAIL D
NTS

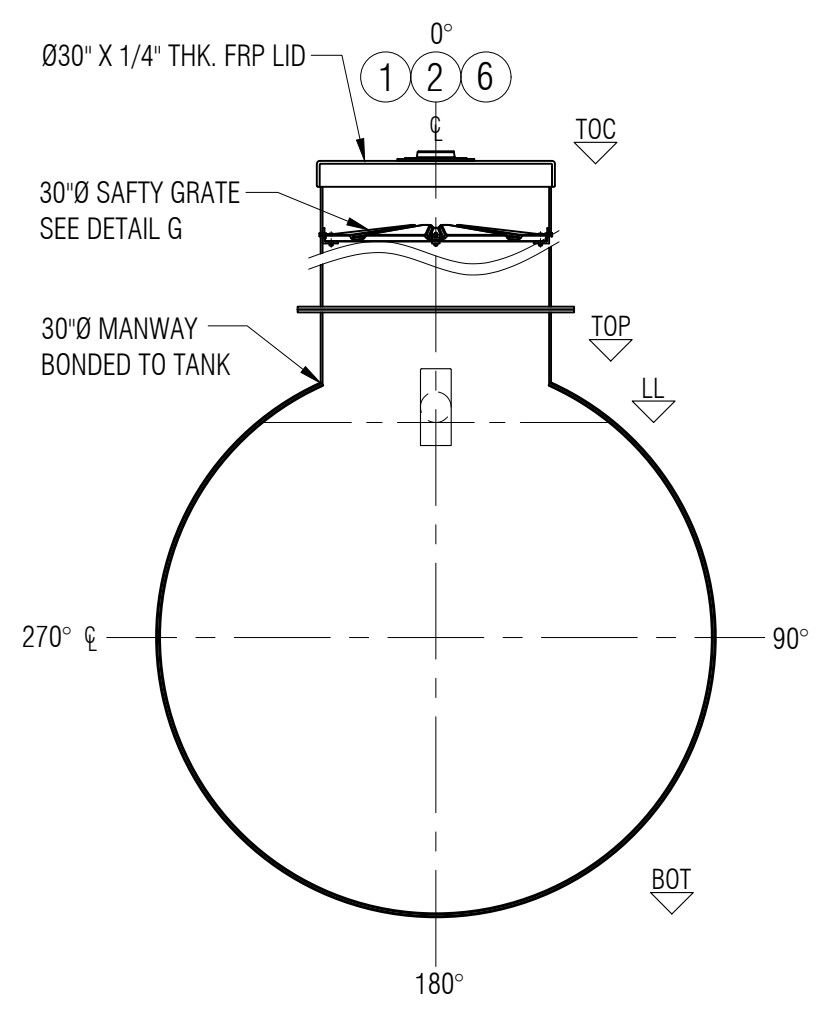
LEGEND:
 TOC - TOP OF CAP LID
 TOF - TOP OF FLANGE
 TOP - TOP CYLINDER
 BOT - BOTTOM CYLINDER
 I/S - INSIDE
 LL - LIQUID LEVEL
 O.A.H.-OVERALL HEIGHT
 O.A.L.-OVERALL LENGTH
 I/S - INSIDE
 O/S - OUTSIDE
 Ø - DIAMETER
 ° - DEGREE/S
 TYP - TYPICAL
 CL - CENTER LINE
 NTS - NOT TO SCALE



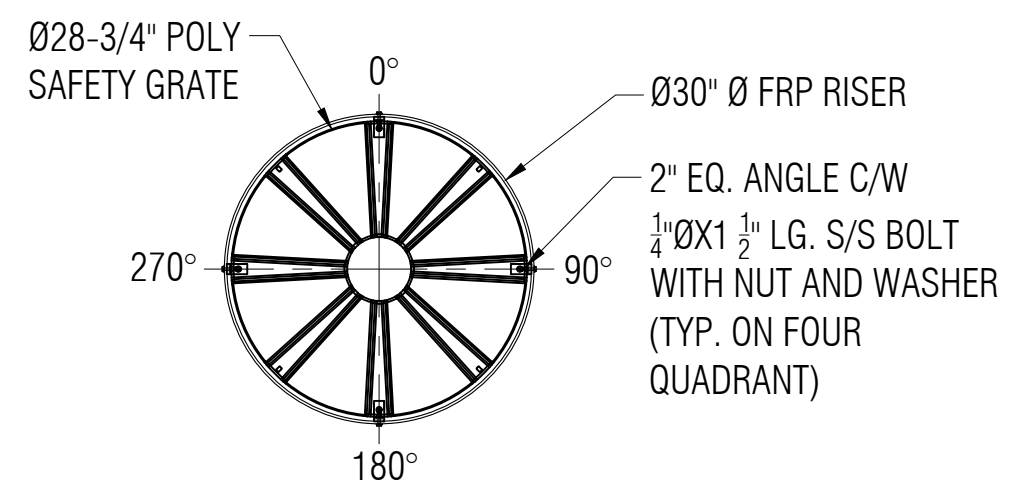
RIB LAMINATE DETAIL F
NTS



ELEVATION "A"



SECTION "C"



SAFETY GRATE DETAIL G
SCALE: 1:15

GENERAL NOTES:
 - CSA B66 CERTIFIED FRP SEPTIC TANK.
 - RATED FOR 7' OF BURIAL DEPTH AND NO TRAFFIC LOADING.
 - ALL DRILLED HOLES FLANGES TO BE COATED WITH RESIN.
 - SAFETY DEVICE CAN WITHSTAND 91 KG. OF DEAD LOAD.
 - DIMENSIONS SHOWN IN FEET INCHES FORMAT OTHERWISE NOTED.
 - 1/2" FABRICATION TOLERANCE. DOES NOT APPLY TO LAMINATE THICKNESS.

ITEM#	QTY	PART LIST	DESCRIPTION	SHELL THICKNESS: 0.375"	DRAWN: ATF
1	1	30" CAP LID W/ 8"D POLY SCREW OUT INSERT	30"Ø FRP MANWAY	2:1 HEAD THICKNESS: 0.48"	CHECKED:
2	1	30"Ø MANWAY COLLAR	30"Ø FRP COLLAR	RIBS THICKNESS: 0.25"	DATE: OCT. 10, 2023
3	1	4" FERNCO	FLEXIBLE CONNECTOR	RIB SPACING: 17 1/4" (CL to CL)	DESIGNED:
4	1	4"Ø PVC PIPE & TEEWYE	INLET	LENGTH: 3,969MM (13'-1/4")	APPROVED: MPS
5	2	MILD STEEL	LIFT LUGS	WORKING CAPACITY: 10,342L (2,275 IG/2,732 USG)	MFG: DS
6	1	POLYETHYLENE SAFETY GRATE C/W HARDWARE	SAFETY GRATE	OVERALL CAPACITY: 11,365 L (2,500 IG/3,002 USG)	QA: GA
					SALES: TA



CLIENT: FRP/MOCOAT FIBERGLASS LTD.		REVISION: 0	
TITLE: B2500SLP UG SEWAGE HOLDING FRP TANK		SHEET: 1/1	
SIZE: C	DRAWING NUMBER: B2500SLP	WEIGHT:	RATED 7'-0"
SCALE: 1:25	BURIAL DEPTH:		