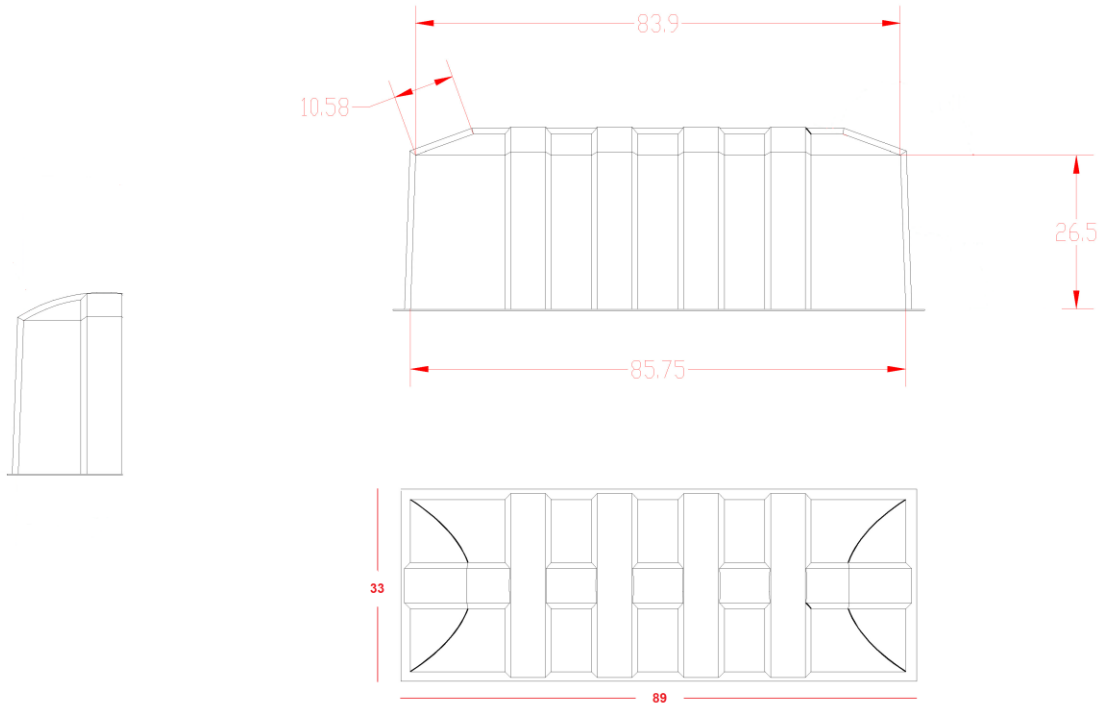


GRAVE VAULT



Length	Outside (including lip): 89"	Inside: 85.75"
Width:	Outside (including lip): 33"	Inside: 29.5"
Height:	Sidewall: 26.5"	Dome: 29"
Weight:	72 lbs	
Load Strength:	Up to 14,000 lbs of overburden	