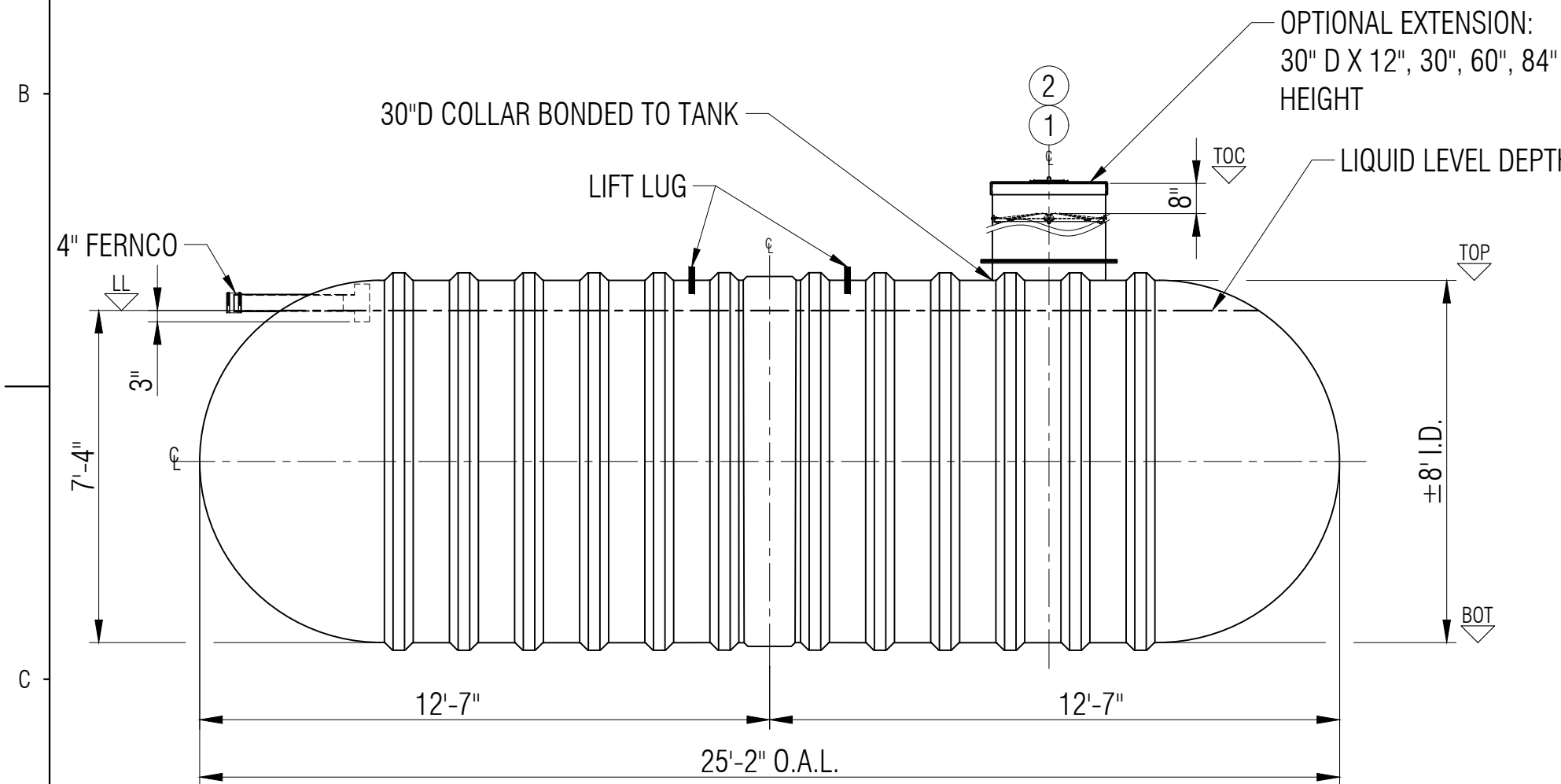
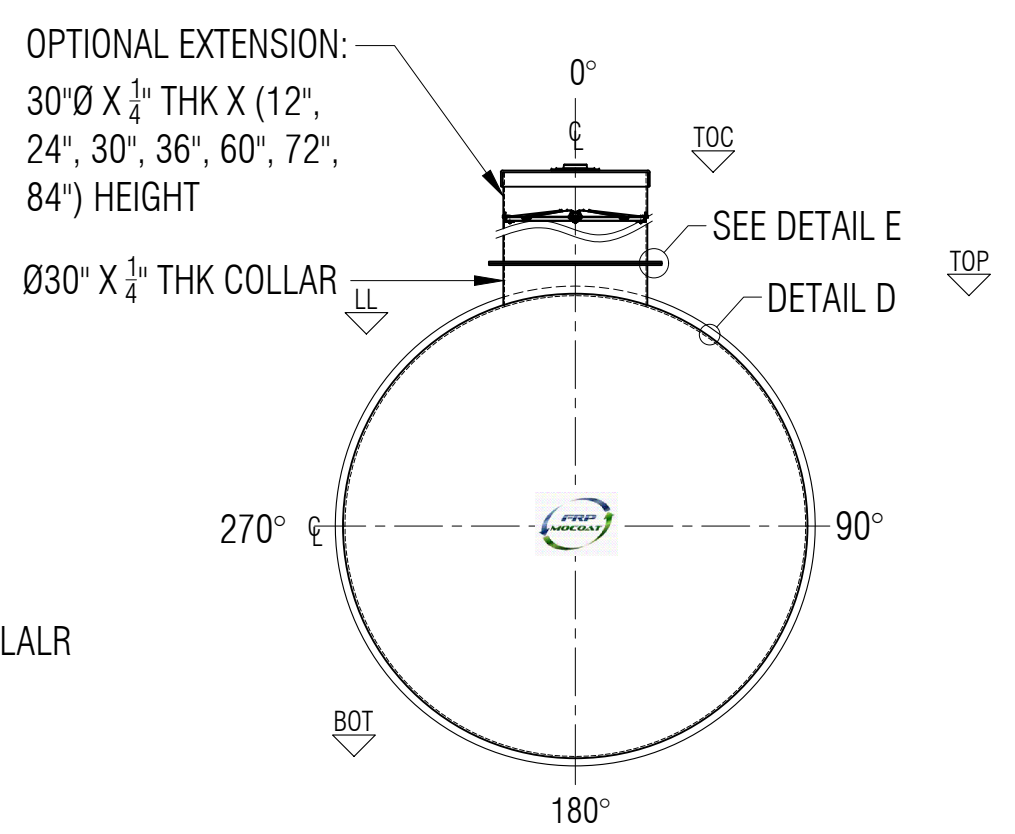


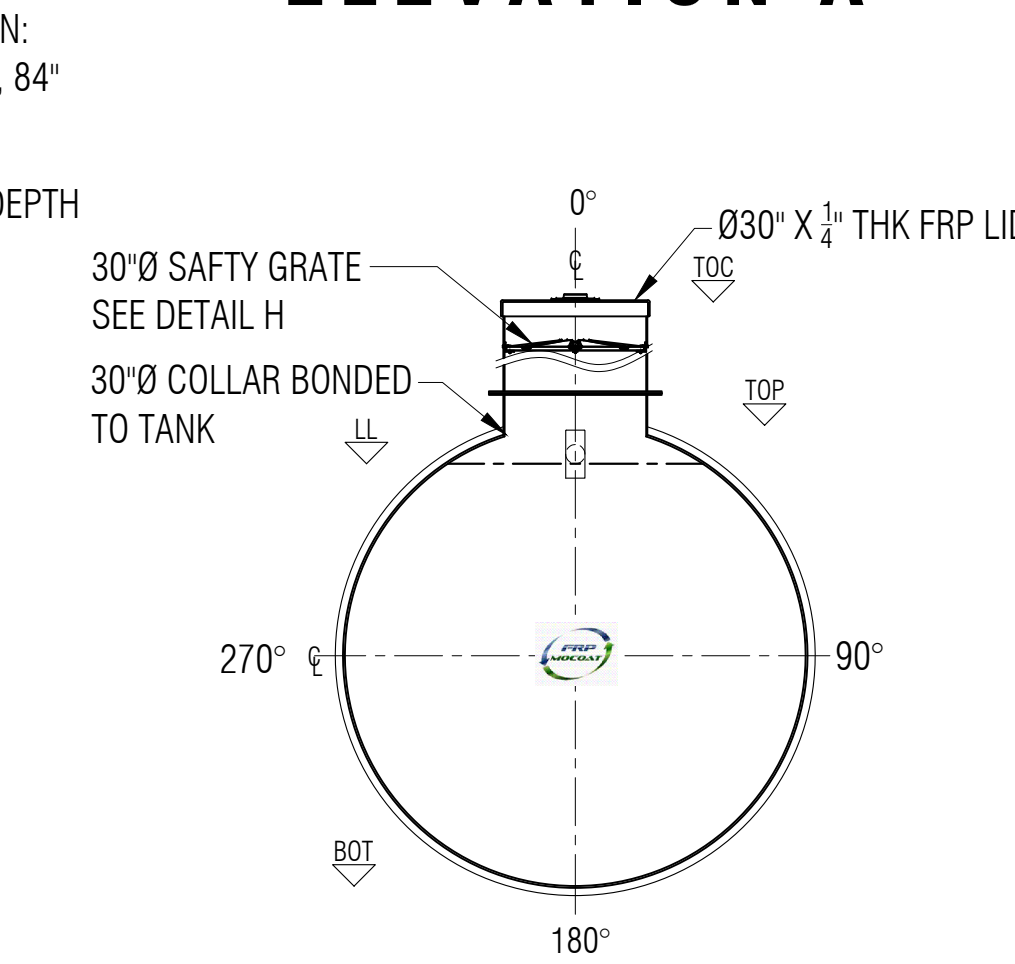
**PLAN**



**ELEVATION**



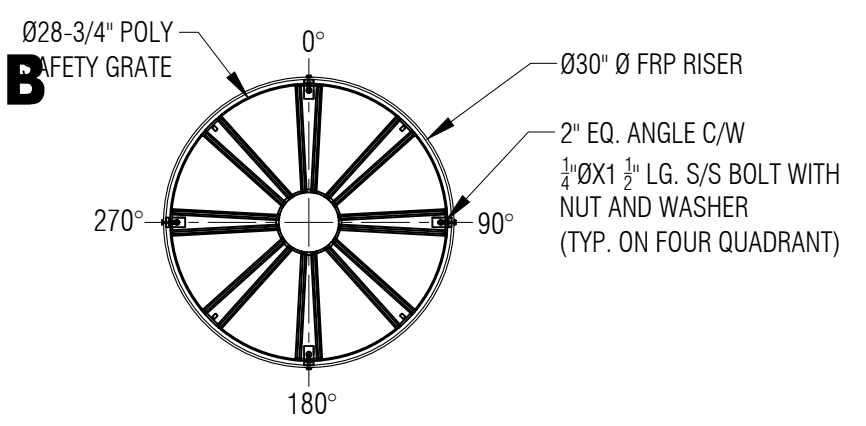
**ELEVATION A**



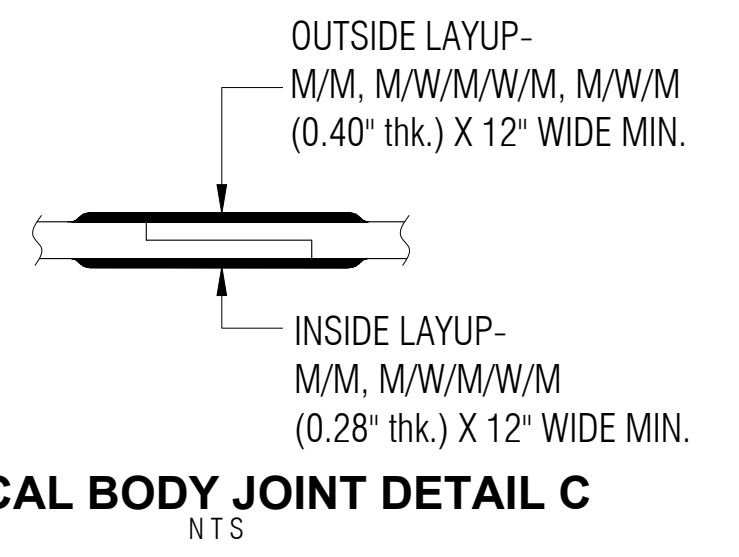
**SECTION B**



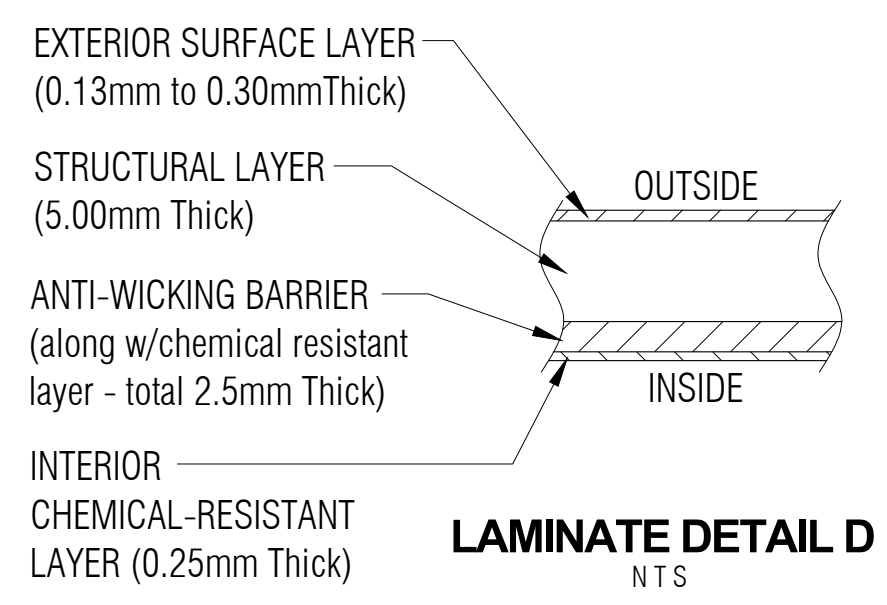
**RIB LAMINATE DETAIL F**



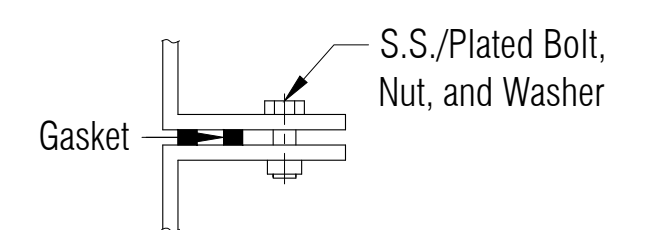
**SAFETY GRATE DETAIL H**



**TYPICAL BODY JOINT DETAIL C**



**LAMINATE DETAIL D**



**FLANGE TO FLANGE CONNECTION DETAIL E**

- LEGEND:  
 TOC - TOP OF CAP LID  
 TOF - TOP OF FLANGE  
 TOP - TOP CYLINDER  
 BOT - BOTTOM CYLINDER  
 I/S - INSIDE  
 O/S - OUTSIDE  
 Ø - DIAMETER  
 ° - DEGREE/S  
 TYP - TYPICAL  
 CL - CENTER LINE  
 NTS - NOT TO SCALE

GENERAL NOTES:  
 - CSA B66 CERTIFIED FRP TANK FOR WASTE WATER.  
 - RATED FOR 7' OF BURIAL DEPTH AND NO TRAFFIC LOADING.  
 - ALL DRILLED HOLES FLANGES TO BE COATED WITH RESIN.  
 - SAFETY DEVISE CAN WITHSTAND 91 KG. OF DEAD LOAD.  
 - DIMENSIONS SHOWN IN FEET INCHES FORMAT OTHERWISE NOTED.  
 - 1/2" FABRICATION TOLERANCE. DOES NOT APPLY TO LAMINATE THICKNESS.



ITEM#	QTY	PART LIST	DESCRIPTION	SHELL THICKNESS: 0.375"	DRAWN: CCL/ATF
1	1	30" CAP LID W/ 8"D POLY SCREW OUT INSERT		HEMI HEAD THICKNESS: 0.475"	CHECKED: ATF
2	1	30"Ø MANWAY COLLAR	30"Ø FRP COLLAR	RIBS THICKNESS: 0.25"	DATE: MAR. 10, 2023
3	1	4" FERNCO	FLEXIBLE CONNECTOR	RIB SPACING: 17-1/4" (CL to CL)	DESIGNED: FRP
4	1	4"Ø PVC PIPE & TEEWYE	INLET	LENGTH: 7,671MM (25'-2")	APPROVED: MPS
5	2	MILD STEEL	LIFT LUGS	WORKING CAPACITY: 30,890L (6,795 IG/8,145 USG)	MFG:
6	1	POLYETHYLENE SAFETY GRATE C/W HARDWARE	SAFETY GRATE	OVERALL CAPACITY: 32,016 L (7,042 IG/8,450 USG)	PM:
					SALES:

CLIENT: FRP/MOCOAT		REVISION
TITLE: <b>B7000S FIBERGLASS HOLDING TANK</b>		0
		SHEET
		1/1
SIZE: C	DRAWING NUMBER: B7000S	WEIGHT: 1,270 KG (2,800 LBS)
SCALE: 1:40	BURIAL DEPTH: RATED 7'-0"	