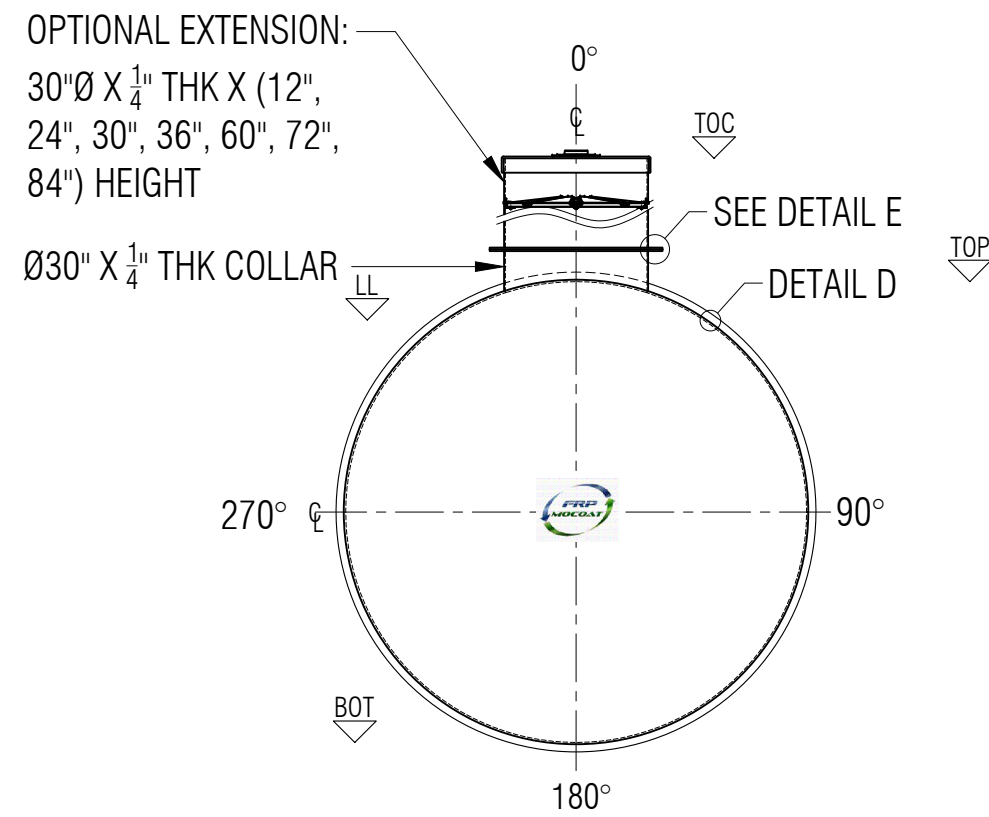
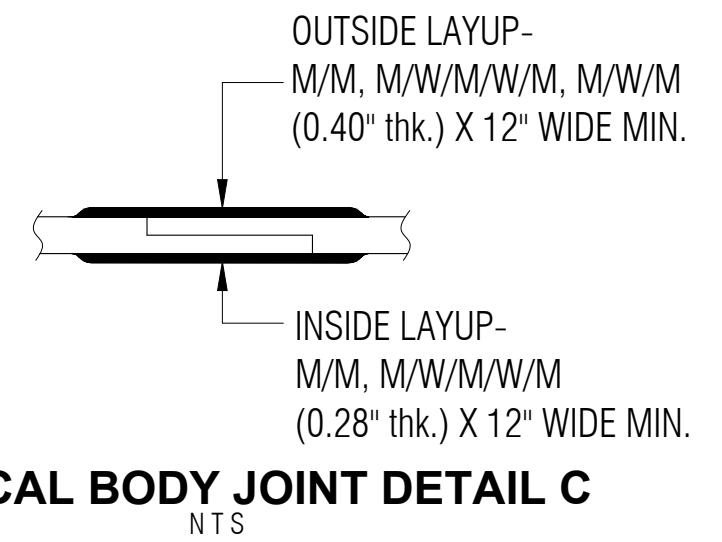


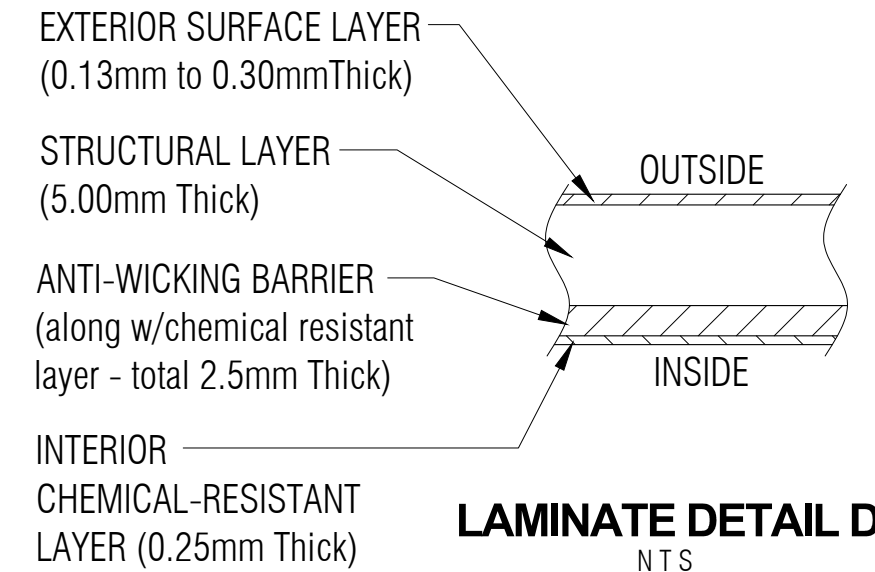
PLAN



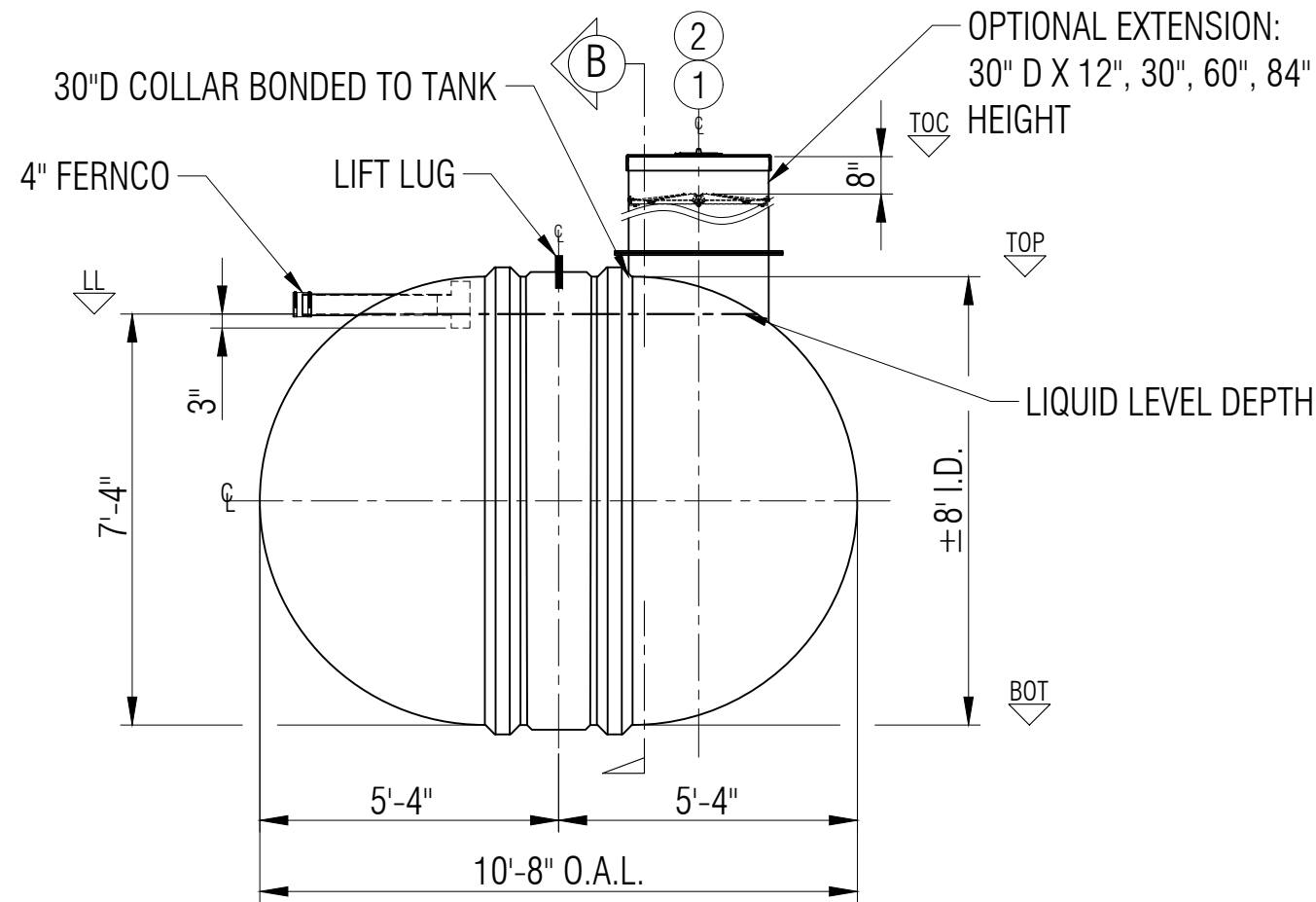
ELEVATION A



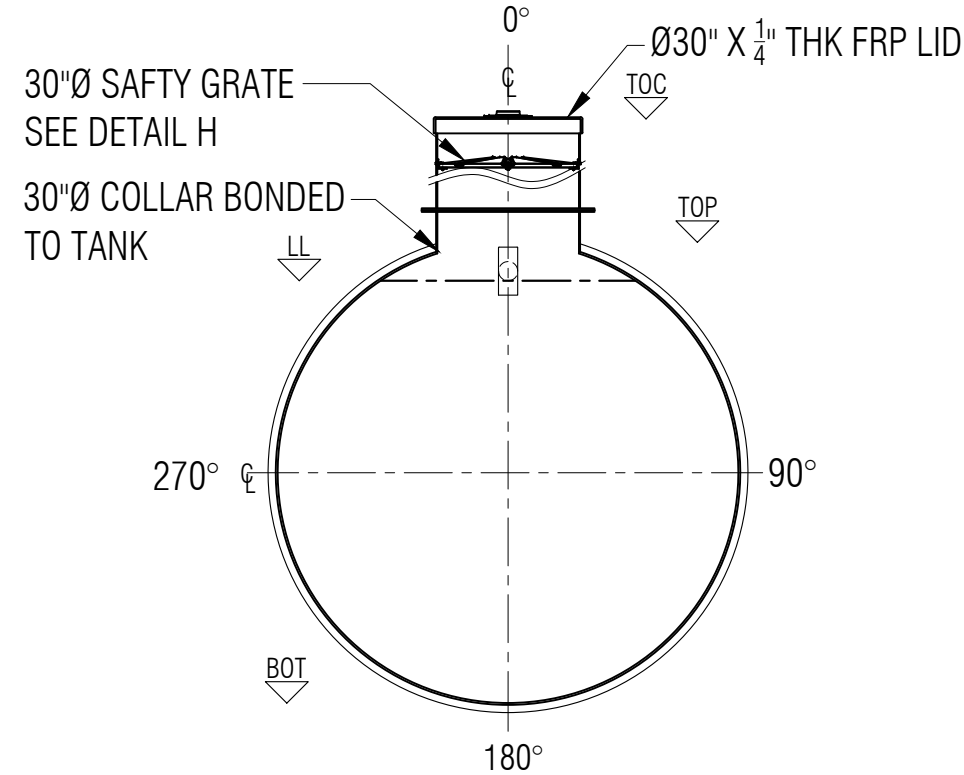
TYPICAL BODY JOINT DETAIL C



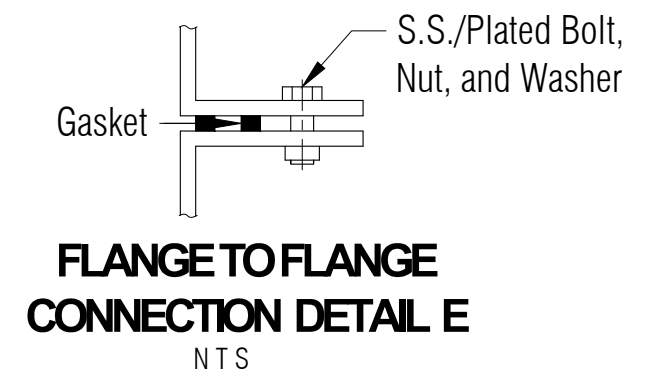
LAMINATE DETAIL D



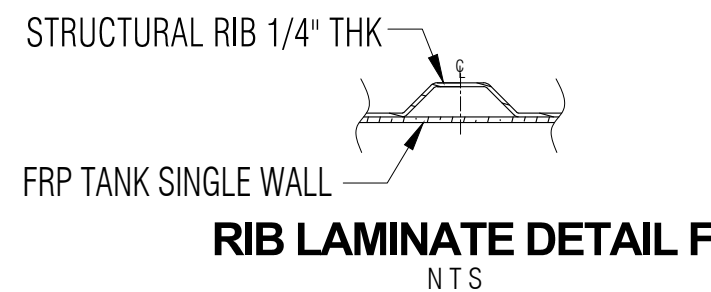
ELEVATION



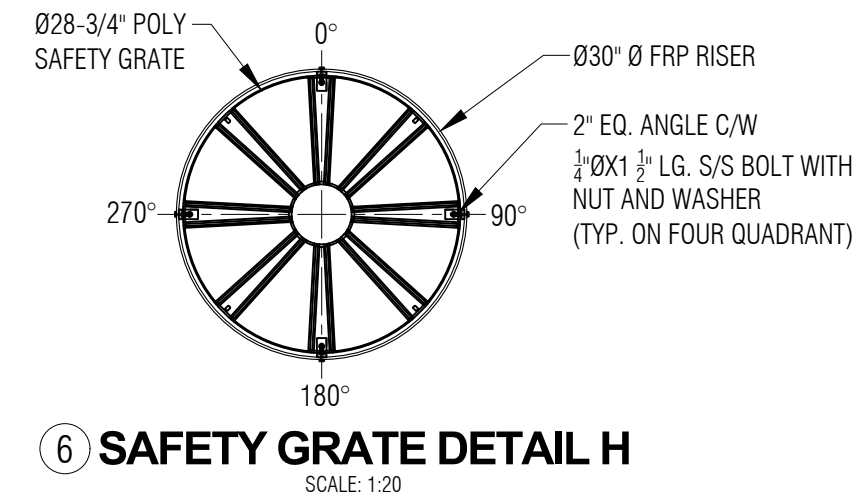
SECTION B



FLANGE TO FLANGE CONNECTION DETAIL E



RIB LAMINATE DETAIL F



SAFETY GRATE DETAIL H

LEGEND:
 TOC - TOP OF CAP LID
 TOF - TOP OF FLANGE
 TOP - TOP CYLINDER
 BOT - BOTTOM CYLINDER
 I/S - INSIDE
 O/S - OUTSIDE
 Ø - DIAMETER
 ° - DEGREE/S
 TYP - TYPICAL
 CL - CENTER LINE
 NTS - NOT TO SCALE

GENERAL NOTES:
 - CSA B66 CERTIFIED FRP TANK FOR WASTE WATER.
 - RATED FOR 7' OF BURIAL DEPTH AND NO TRAFFIC LOADING.
 - ALL DRILLED HOLES FLANGES TO BE COATED WITH RESIN.
 - SAFETY DEVICE CAN WITHSTAND 91 KG. OF DEAD LOAD.
 - DIMENSIONS SHOWN IN FEET INCHES FORMAT OTHERWISE NOTED.
 - 1/2" FABRICATION TOLERANCE. DOES NOT APPLY TO LAMINATE THICKNESS.



| ITEM# | QTY | PART LIST | DESCRIPTION | SHELL THICKNESS: | 0.375" | DRAWN: | CCL/ATF |
|-------|-----|--|--------------------|----------------------|------------------------------|-----------|---------------|
| 1 | 1 | 30" CAP LID W/ 8"D POLY SCREW OUT INSERT | | HEMI HEAD THICKNESS: | 0.475" | CHECKED: | ATF |
| 2 | 1 | 30"Ø MANWAY COLLAR | 30"Ø FRP COLLAR | RIBS THICKNESS: | 0.25" | DATE: | MAR. 10, 2023 |
| 3 | 1 | 4" FERNCO | FLEXIBLE CONNECTOR | RIB SPACING: | 24" (CL TO CL) | DESIGNED: | FRP |
| 4 | 1 | 4"Ø PVC PIPE & TEEWYE | INLET | LENGTH: | 3,251MM (10'-8") | APPROVED: | MPS |
| 5 | 2 | MILD STEEL | LIFT LUGS | WORKING CAPACITY: | 11,080L (2,437IG/2,924 USG) | MFG: | |
| 6 | 1 | POLYETHYLENE SAFETY GRATE C/W HARDWARE | SAFETY GRATE | OVERALL CAPACITY: | 11,365 L (2,500IG/3,000 USG) | PM: | |
| | | | | | | SALES: | |

| | | | |
|---------------------------------------|---------------------------|----------------------------|--|
| CLIENT: FRP/MOCOAT | | REVISION: 0 | |
| TITLE: B2500S FIBERGLASS HOLDING TANK | | SHEET: 1/1 | |
| FRP/MOCOAT FIBERGLASS LTD. | | | |
| SIZE: C | DRAWING NUMBER: B2500S | WEIGHT: 544 KG (1,200 LBS) | |
| SCALE: 1:40 | BURIAL DEPTH: RATED 7'-0" | | |