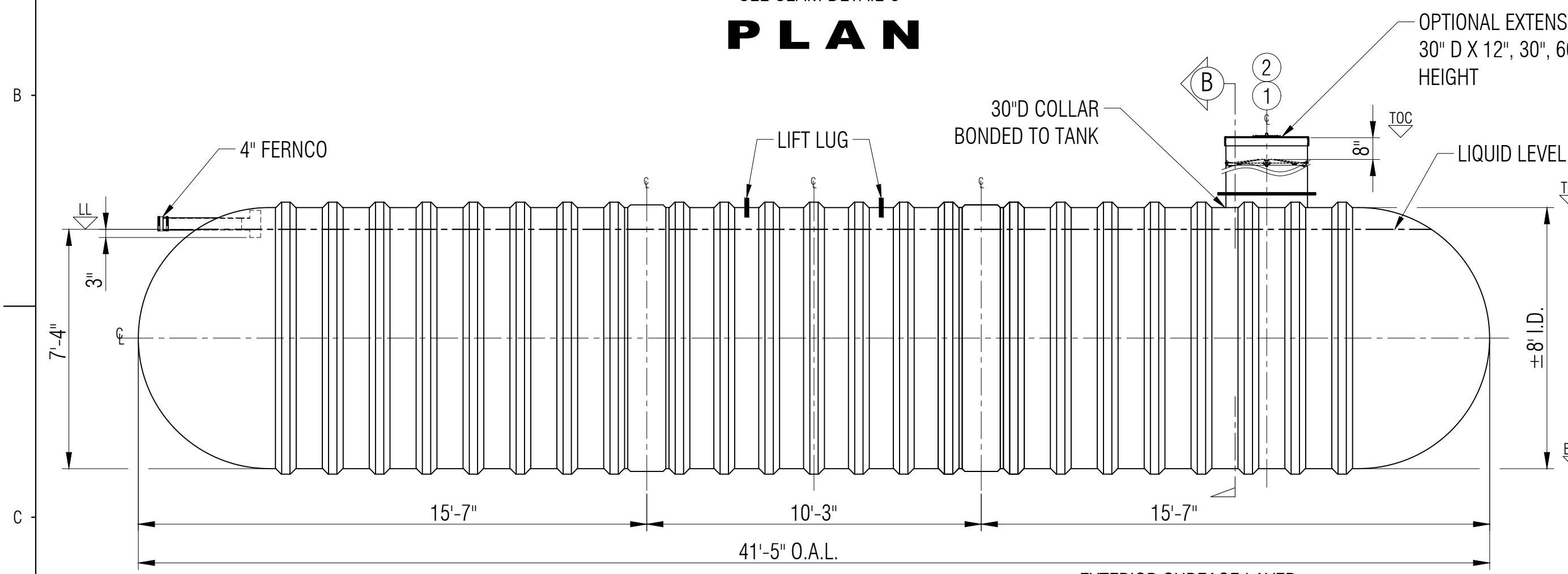
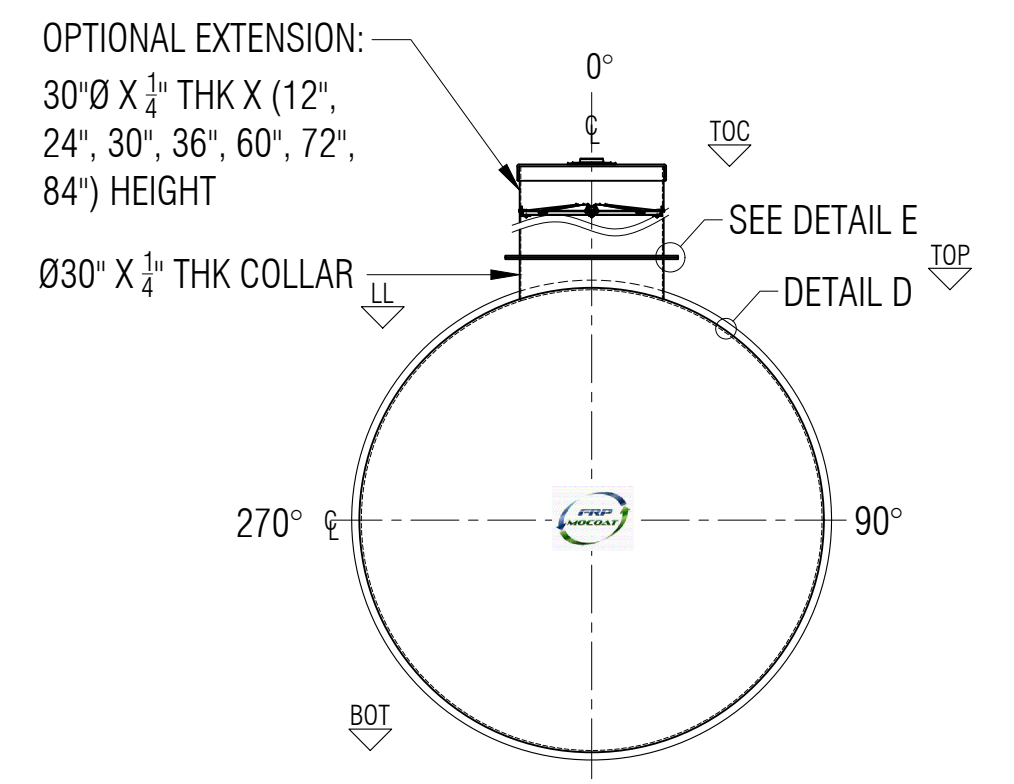
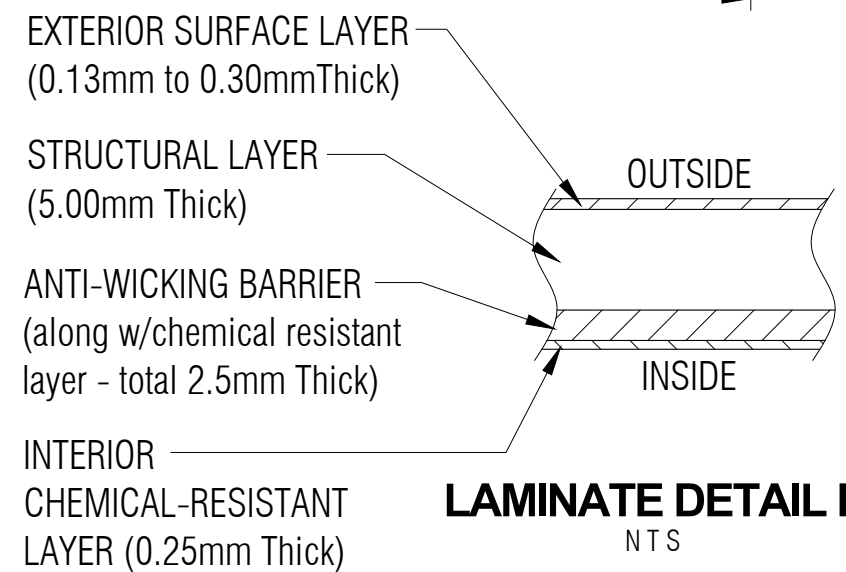


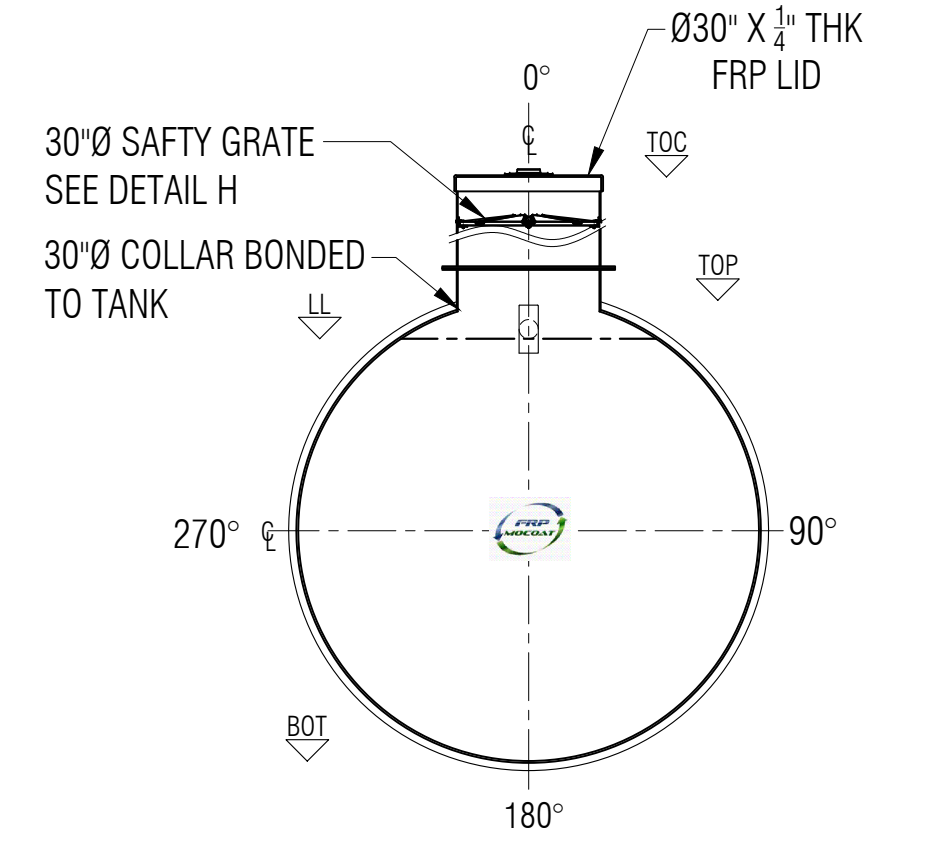
PLAN



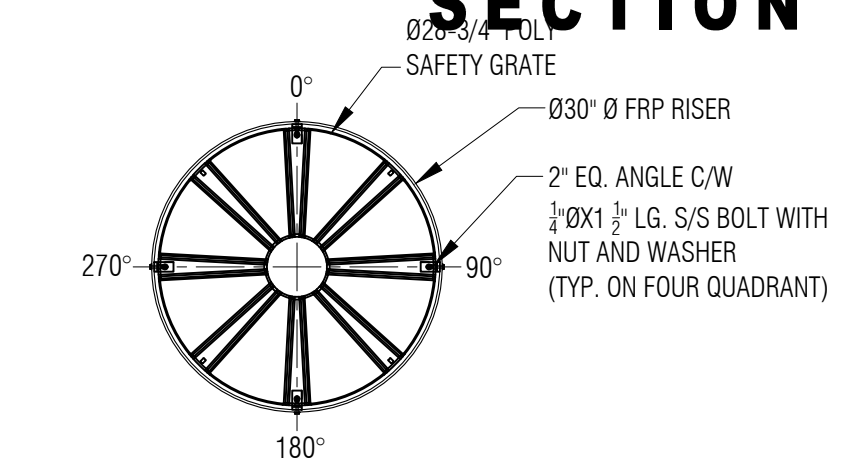
ELEVATION



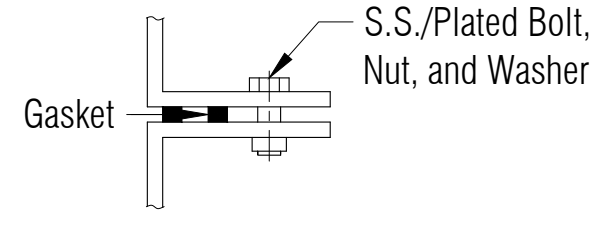
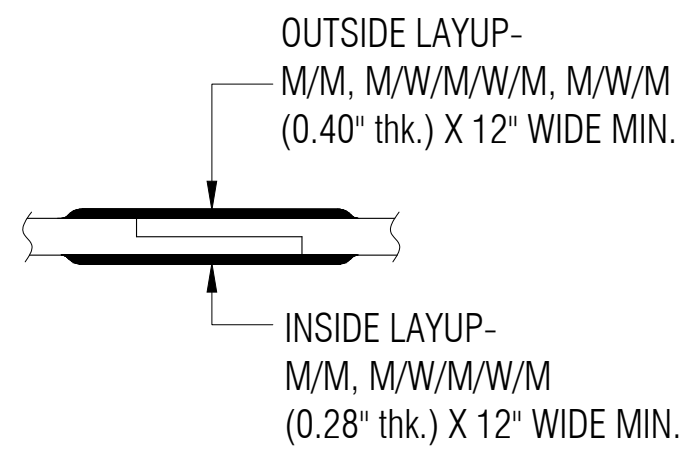
ELEVATION A



SECTION B



- LEGEND:
- TOC - TOP OF CAP LID
 - TOF - TOP OF FLANGE
 - TOP - TOP CYLINDER
 - BOT - BOTTOM CYLINDER
 - I/S - INSIDE
 - LL - LIQUID LEVEL
 - O.A.H. - OVERALL HEIGHT
 - O.A.L. - OVERALL LENGTH
 - I/S - INSIDE
 - O/S - OUTSIDE
 - Ø - DIAMETER
 - ° - DEGREE/S
 - TYP - TYPICAL
 - CL - CENTER LINE
 - NTS - NOT TO SCALE



ITEM#	QTY	PART LIST	DESCRIPTION	SHELL THICKNESS: 0.500"	DRAWN: CCL/ATF
1	1	30" CAP LID W/ 8"D POLY SCREW OUT INSERT		HEMI HEAD THICKNESS: 0.650"	CHECKED: ATF
2	1	30"Ø MANWAY COLLAR	30"Ø FRP COLLAR	RIBS THICKNESS: 0.25"	DATE: MAR. 10, 2023
3	1	4" FERNCO	FLEXIBLE CONNECTOR	RIB SPACING: 17-1/4" (CL to CL)	DESIGNED: FRP
4	1	4"Ø PVC PIPE & TEEWYE	INLET	LENGTH: 12,624MM (41'-5")	APPROVED: MPS
5	2	MILD STEEL	LIFT LUGS	WORKING CAPACITY: 53,100L (11,680IG/14,016 USG)	MFG:
6	1	POLYETHYLENE SAFETY GRATE C/W HARDWARE	SAFETY GRATE	OVERALL CAPACITY: 55,138L (12,128IG/14,554 USG)	PM:
7					SALES:

- GENERAL NOTES:
- CSA B66 CERTIFIED FRP TANK FOR WASTE WATER.
 - RATED FOR 7' OF BURIAL DEPTH AND NO TRAFFIC LOADING.
 - ALL DRILLED HOLES FLANGES TO BE COATED WITH RESIN.
 - SAFETY DEVICE CAN WITHSTAND 91 KG. OF DEAD LOAD.
 - DIMENSIONS SHOWN IN FEET INCHES FORMAT OTHERWISE NOTED.
 - 1/2" FABRICATION TOLERANCE. DOES NOT APPLY TO LAMINATE THICKNESS.

CLIENT: FRP/MOCOAT		REVISION: 0	
TITLE: B12000S FIBERGLASS HOLDING TANK		SHEET: 1/1	
FRP MOCOAT FIBERGLASS LTD.	SIZE: C	DRAWING NUMBER: B12000S	WEIGHT: 2,676 KG (5,900 LBS)
	SCALE: 1:40	BURIAL DEPTH: RATED 7'-0"	