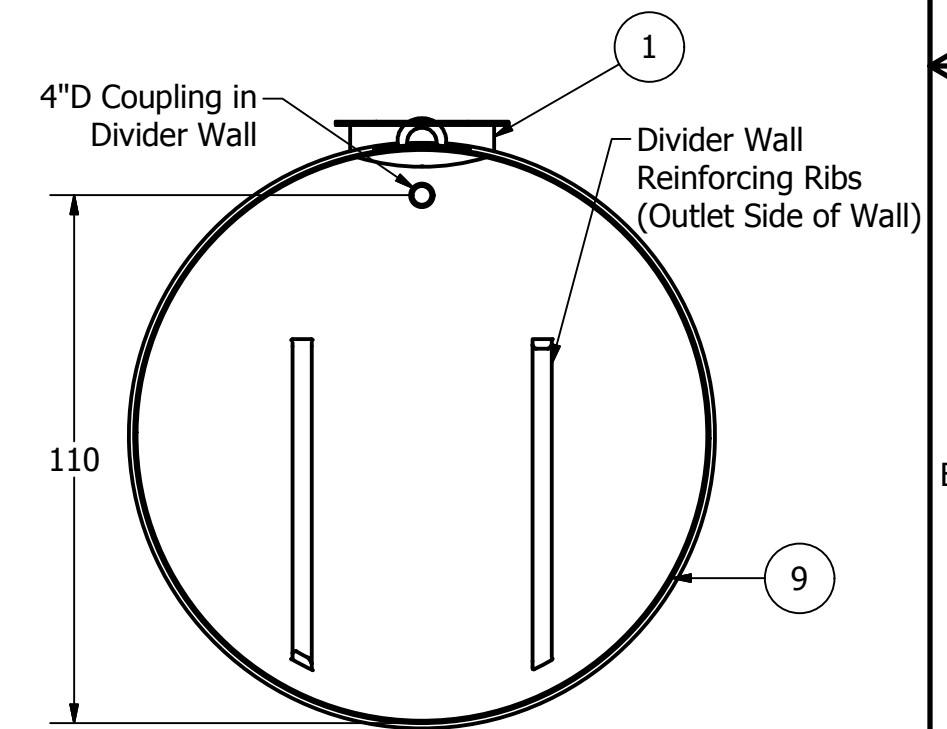
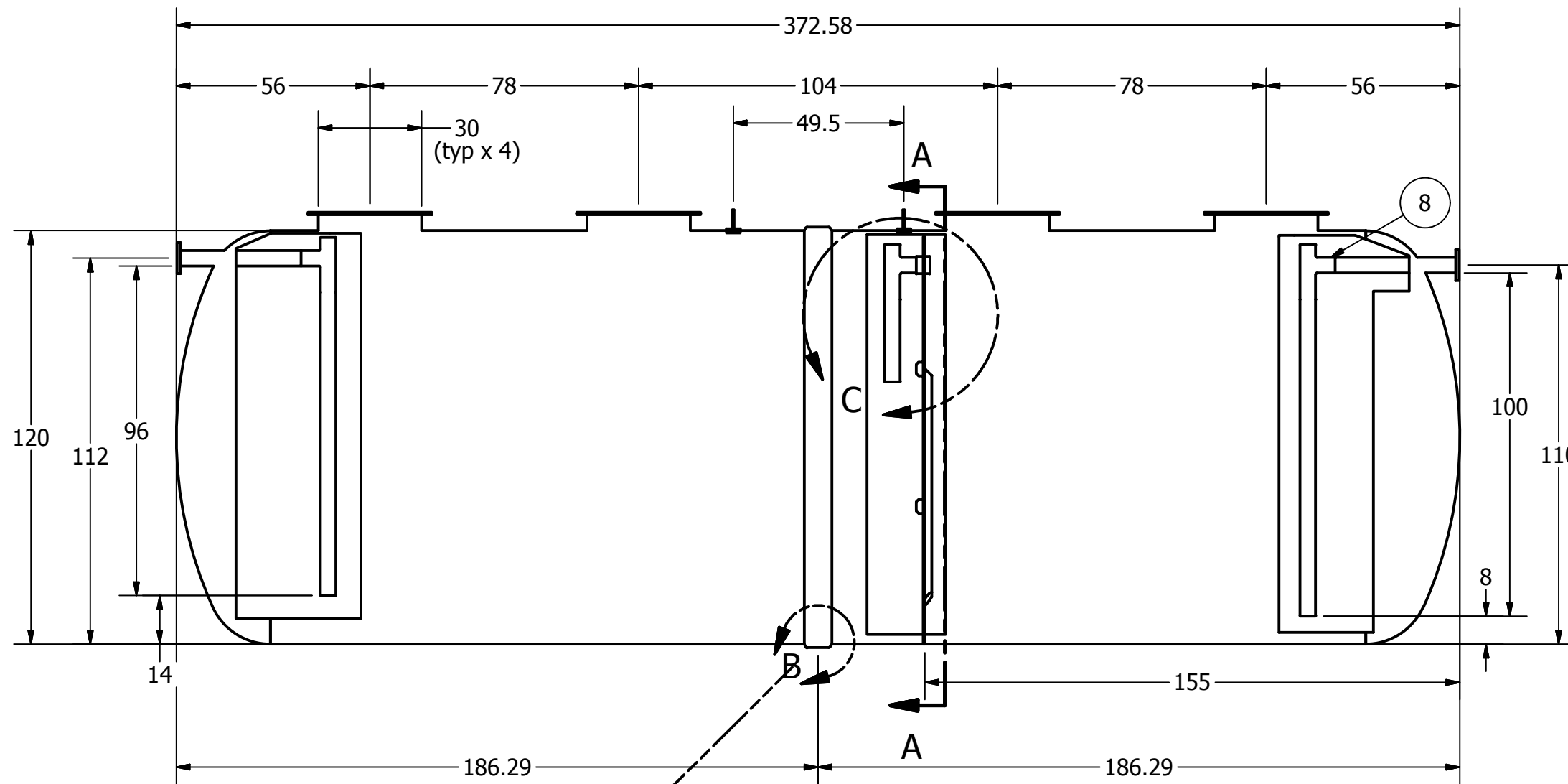
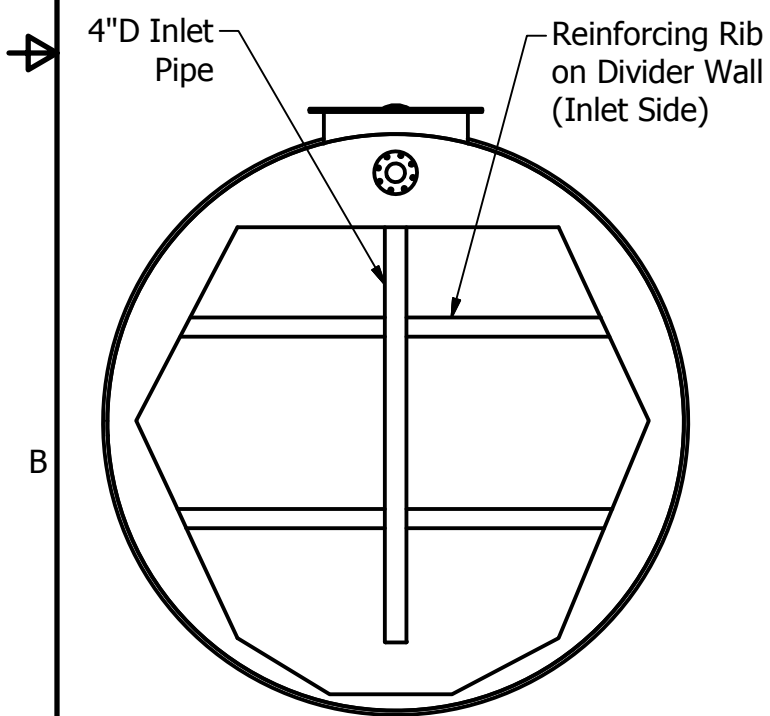
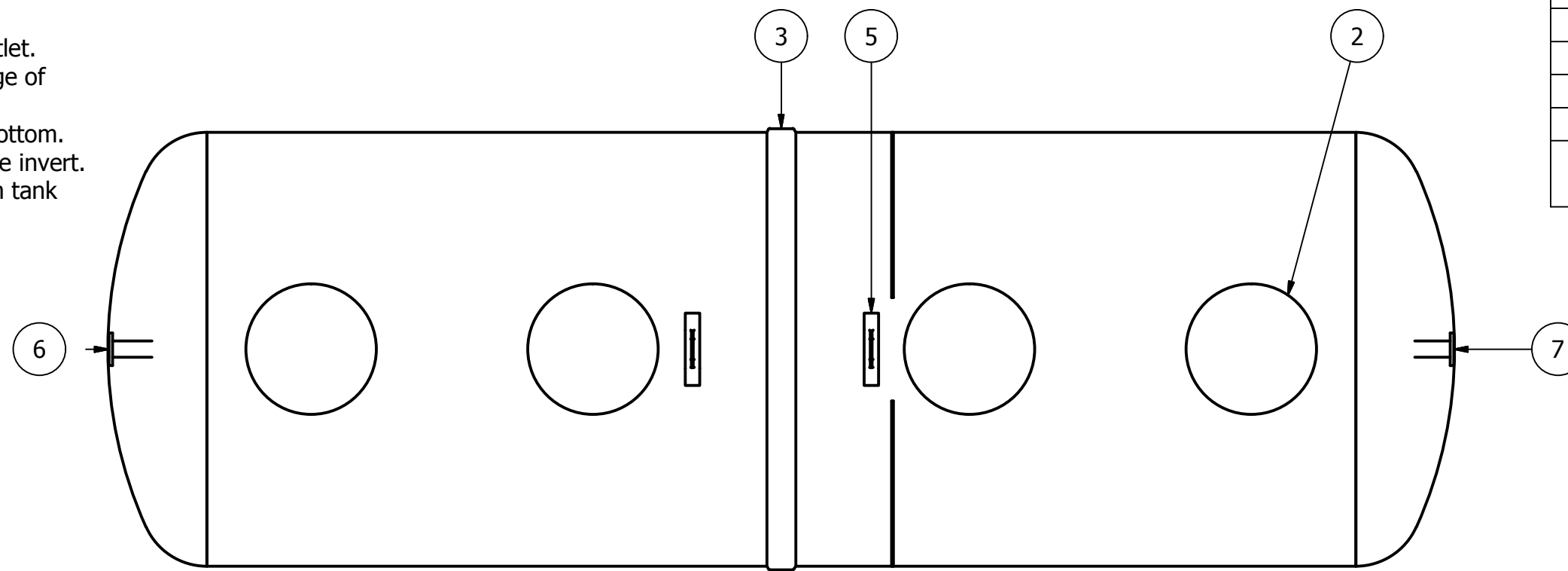


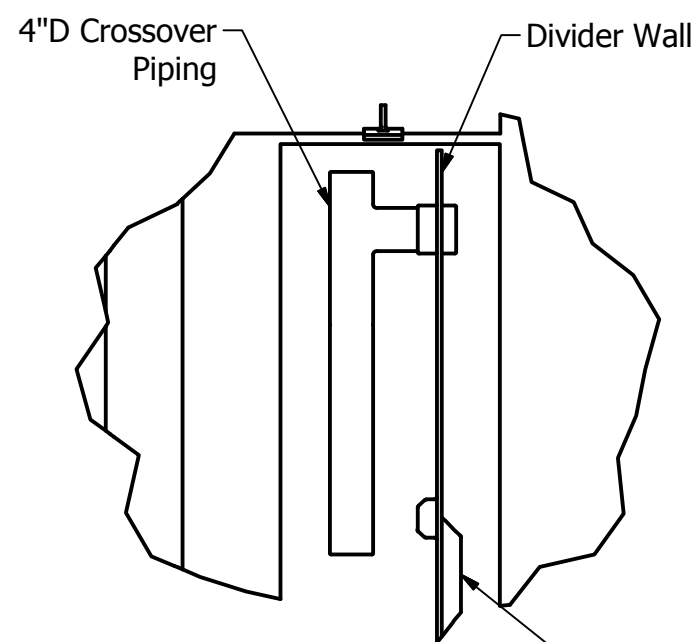
REVISION HISTORY			
REV	DESCRIPTION	DATE	APPROVED
1	RIB SPACING	10/30/2010	JMC
2	DRAWING REVISION	2/10/2014	MPS

PARTS LIST			
ITEM	QTY	PART NUMBER	DESCRIPTION
1	4	C-COLLAR-30IN	30"D COLLAR
2	4	C-LID-36IN	36"D FLAT LID
3	1	C-SEAM-10FT	SEAM
4	20	C-RIB-NEW (NOT SHOWN)	STRUCTURAL RIB
5	2	LIFT LUG-PLATE	LIFT LUG
6	1	FLNGFRP-4IN	INLET
7	1	FLNGFRP-4IN	OUTLET
8	2	PVC-TY-4IN	PVC TY FITTING
9	1	C-DIVIDER-PUMP-10FT-4IN CROSSOVER	DIVIDER WALL

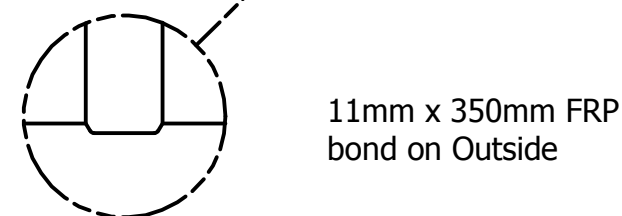
- NOTES:
- Minimum size of the sanitary tee to be 4" diameter.
 - Maximum distance between access opening to be 120", center to center.
 - Access openings to be located above the inlet and the outlet.
 - All primary compartment capacities will be within the range of 50% to 66% of total capacity (less air space).
 - The inlet sanitary tee to extend to within 18" from tank bottom.
 - The inlet pipe invert to be at least 2" above the outlet pipe invert.
 - The outlet sanitary tee to extend to within 6" to 12" from tank bottom.
 - Divider wall to have fitting that is a minimum of 4"D.
 - Divider wall fitting to extend below liquid level 25% to 35% of the liquid depth.
 - Location of divider wall fitting must be at same depth as outlet tee.
 - Tank to have 10% air space volume for scum storage.



SECTION A-A
SCALE 1/40



DETAIL C
SCALE 1 / 20



SECTIONAL JOINT DETAIL B
SCALE 1 / 20

DRAWN MPS	8/11/2017	TITLE BX14000S UNDERGROUND FIBREGLASS GREASE INTERCEPTOR	
CHECKED		FRP MANUFACTURING (2010) INC.	
MFG		SIZE C	DWG NO BX14000S-02-WASHST-GRSR
APPROVED		SCALE	REV 1
WEIGHT 2,631 kg (5,800 lbs)	LENGTH 31' 1"	7' Burial Depth	
PRIMARY COMPARTMENT CAPACITY 36,116L (7,944 IG, 9,533 USG)		SHEET 1 OF 1	
SECONDARY COMPARTMENT CAPACITY 25,223L (5,548 IG, 6,658 USG)			