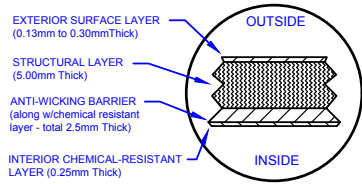
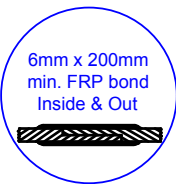
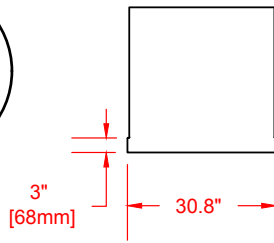


LAMINATE DETAIL



BELL RISER (30" ht. shown)



SECTION-JOINT DETAIL

Specifications

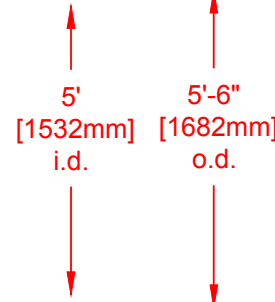
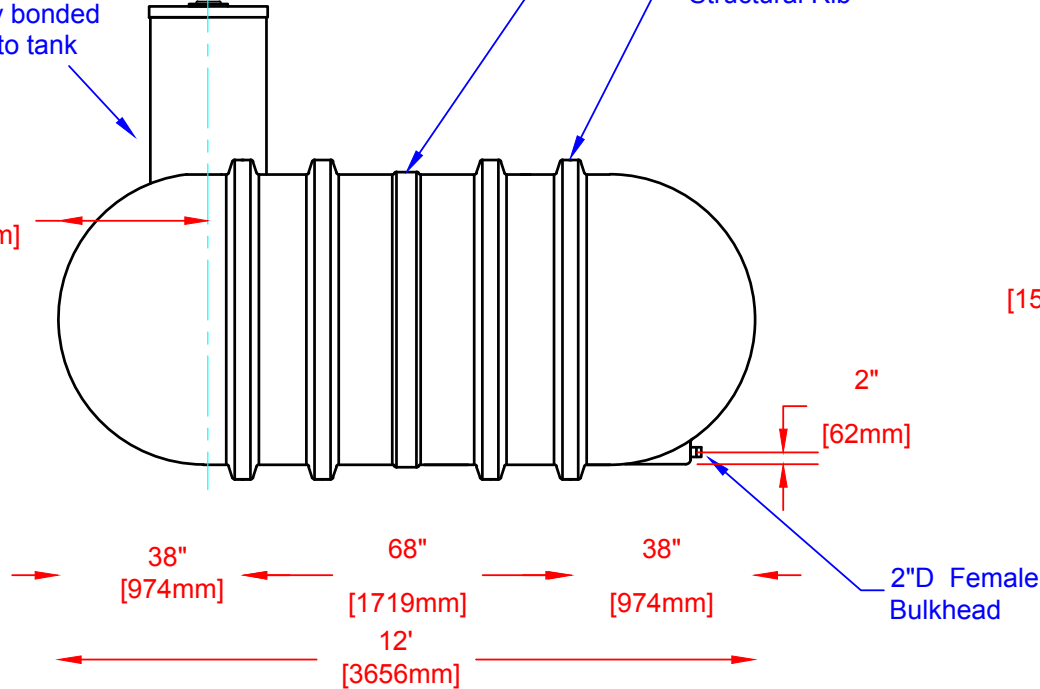
Cylinder Thickness	0.300"	Septic Chamber Depth	N/A
End Cap Thickness	0.300"	Septic Chamber Depth	N/A
Inlet Height (C.L.)	N/A	Effluent Chamber Depth	N/A
Outlet Height (C.L.)	2"	Chamber Wall dimensions	
Inlet Diameter	N/A	Height:	N/A
Outlet Diameter	2"	Thickness:	N/A
Rib Dimension (C to C)	16.5"	Opening Diameter:	N/A

30"D Lid w/8"D poly vented screw out insert.

30"D x 36"H manway bonded directly to tank

Structural Rib

31" [781mm]



Website: www.frpmfg.com
Toll Free: 1-866-722-6246

W1250-BONDED FIBREGLASS WATER CISTERN

Overall Length:	Approx. 3,658mm (12')
Overall Weight:	Approx. 249 kg (550 lbs)
Overall Capacity:	Approx. 5,682L (1,250 Imp Gal, 1,500 US Gal)

DATE: 21-06-2018	REV: 2
BY: MPS	
BURIAL DEPTH: 7 Ft	
DATE:	
APPROVAL:	



Drinking Water NSF/ANSI 61