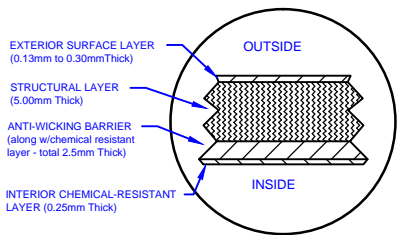
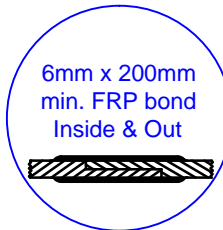
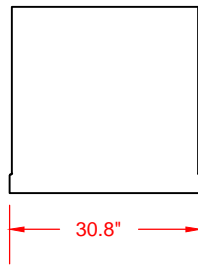


LAMINATE DETAIL



BELL RISER
(30" ht. shown)

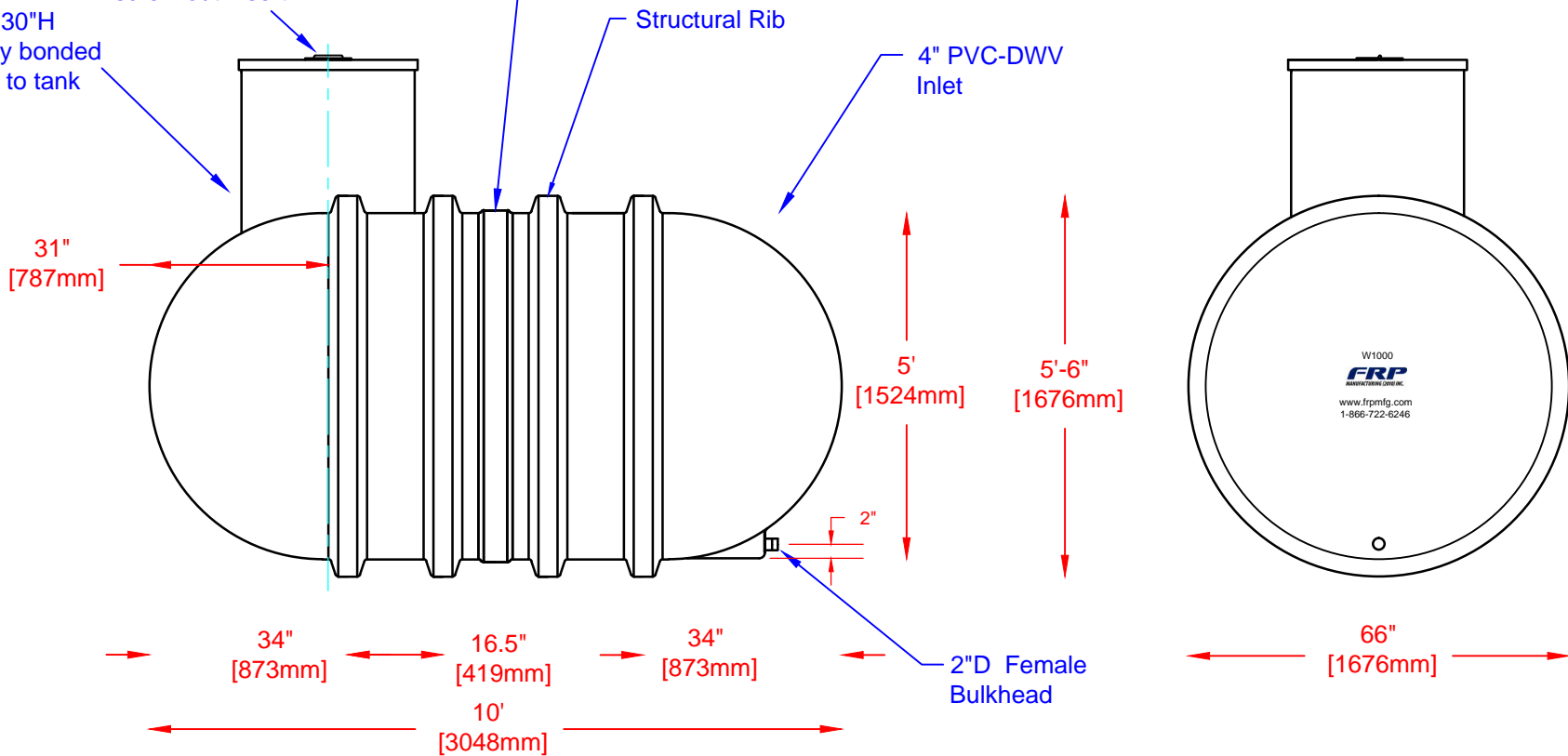


SECTION-JOINT
DETAIL

Specifications

Cylinder Thickness	0.300"	Liquid Depth (holding tank)	N/A
End Cap Thickness	0.300"	Septic Chamber Depth	N/A
Inlet Height (C.L.)	N/A	Effluent Chamber Depth	N/A
Outlet Height (C.L.)	2"	Chamber Wall dimensions	
Inlet Diameter	N/A	Height:	N/A
Outlet Diameter	2"	Thickness:	N/A
Rib Dimension (C to C)	16.5"	Opening Diameter:	N/A

30"D Lid w/8"D Poly vented screw out insert
30"D x 30"H manway bonded directly to tank



FRP
MANUFACTURING (2010) INC.

Website: www.frpmfg.com
Toll Free: 1-866-722-6246

W1000-BONDED FIBREGLASS WATER CISTERN

Overall Length:	Approx. 3,048mm (10')
Overall Weight:	Approx. 249 kg (550 lbs)
Overall Capacity:	Approx. 4,546L (1,000 Imp Gal, 1,200 US Gal)

DATE: 04-16-2014 REV: 1

BY: MPS

BURIAL DEPTH: 7 Ft

DATE:

APPROVAL:



Drinking Water
NSF/ANSI 61