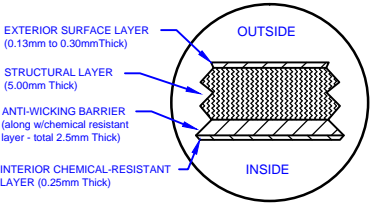
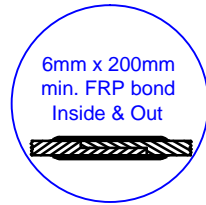
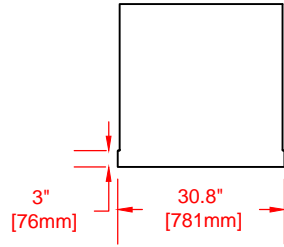


LAMINATE DETAIL



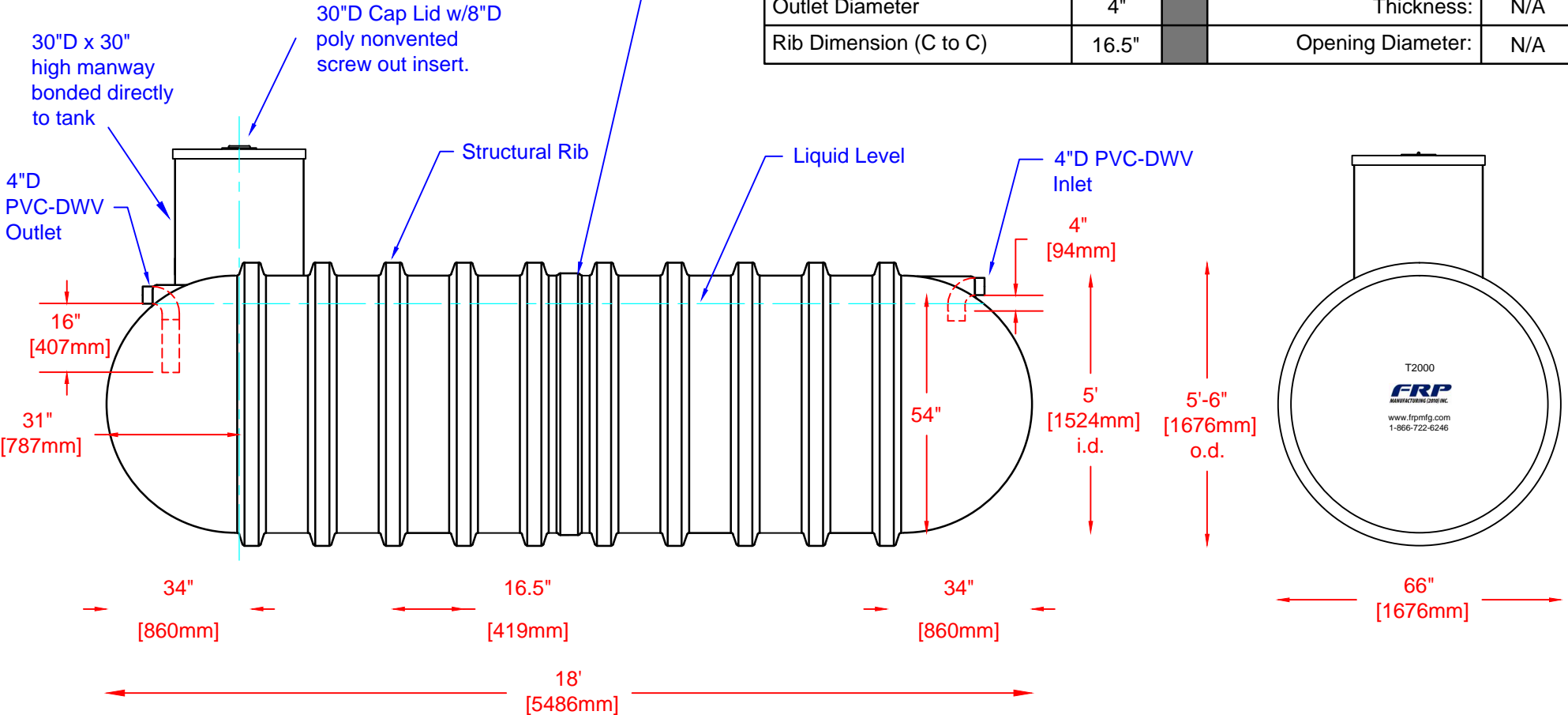
BELL RISER
(30" ht. shown)



SECTION-JOINT
DETAIL

Specifications

Cylinder Thickness	0.300"	Liquid Depth (holding tank)	52"
End Cap Thickness	0.300"	Septic Chamber Depth	N/A
Inlet Height (C.L.)	56"	Effluent Chamber Depth	N/A
Outlet Height (C.L.)	54"	Chamber Wall dimensions	
Inlet Diameter	4"	Height:	N/A
Outlet Diameter	4"	Thickness:	N/A
Rib Dimension (C to C)	16.5"	Opening Diameter:	N/A



Website: www.frpmfg.com
Toll Free: 1-866-722-6246

T2000-BONDED FIBREGLASS TRICKLE TANK

Overall Length:	Approx. 5,486mm (18')
Overall Weight:	Approx. 453 kg (1,000 lbs)
Working Capacity:	Approx. 8,414L (1,850 Imp Gal, 2,220 US Gal)
Overall Capacity:	Approx. 9,092L (2,000 Imp Gal, 2,400 US Gal)

DATE: 01-08-2014	REV: 1
BY: MPS	
BURIAL DEPTH: 7 Ft	
DATE:	
APPROVAL:	

