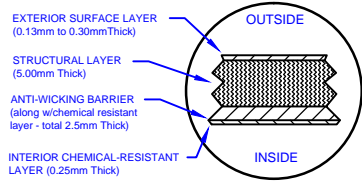
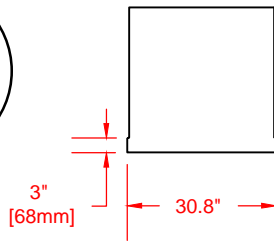


LAMINATE DETAIL



BELL RISER
(30" ht. shown)



SECTION-JOINT
DETAIL

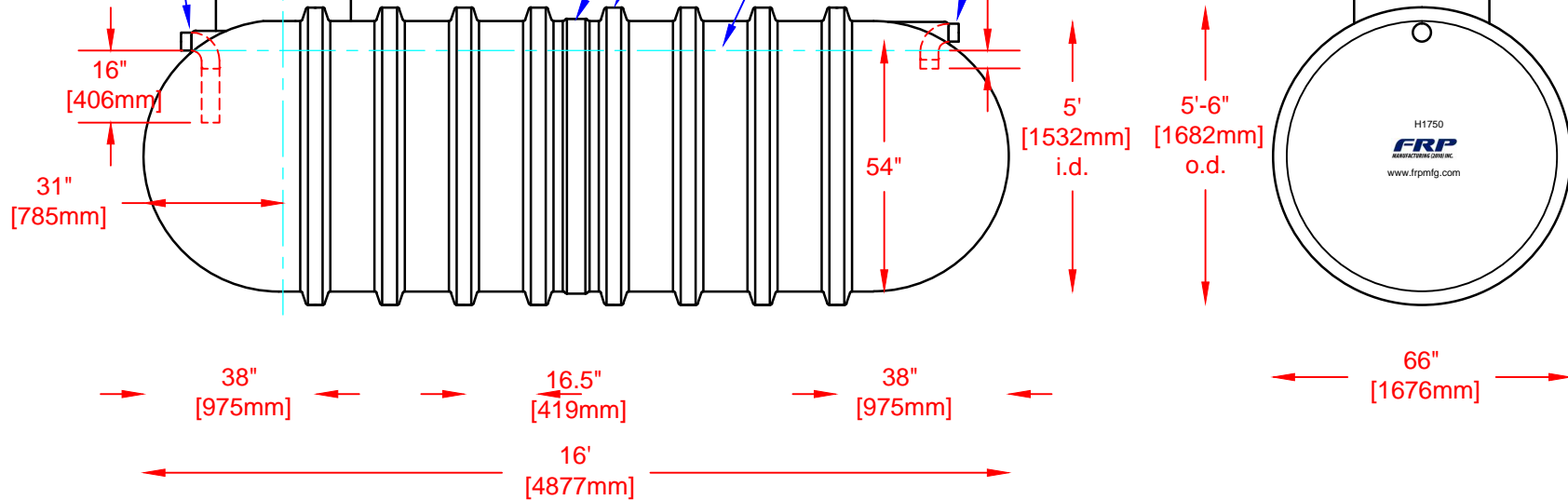
Specifications

Cylinder Thickness	0.300"	Septic Chamber Depth	52"
End Cap Thickness	0.300"	Septic Chamber Depth	N/A
Inlet Height (C.L.)	56"	Effluent Chamber Depth	N/A
Outlet Height (C.L.)	54"	Chamber Wall dimensions	
Inlet Diameter	4"	Height:	N/A
Outlet Diameter	4"	Thickness:	N/A
Rib Dimension (C to C)	16.5"	Opening Diameter:	N/A

30"D Lid w/8"D poly nonvented screw out insert.

30"D x 30"H manway bonded directly to tank

4" PVC-DWV Outlet



FRP
MANUFACTURING (2010) INC.

Website: www.frpmfg.com
Toll Free: 1-866-722-6246

T1750-BONDED FIBREGLASS TRICKLE TANK		DATE: 01-08-2014	REV: 1
Overall Length:	Approx. 4,877mm (16')	BY: MPS	
Overall Weight:	Approx. 397 kg (875 lbs)	BURIAL DEPTH: 7 Ft	
Working Capacity:	Approx. 7,390L (1,625 Imp Gal, 1,950 US Gal)	DATE:	
Overall Capacity:	Approx. 7,955L (1,750 Imp Gal, 2,100 US Gal)	APPROVAL:	

