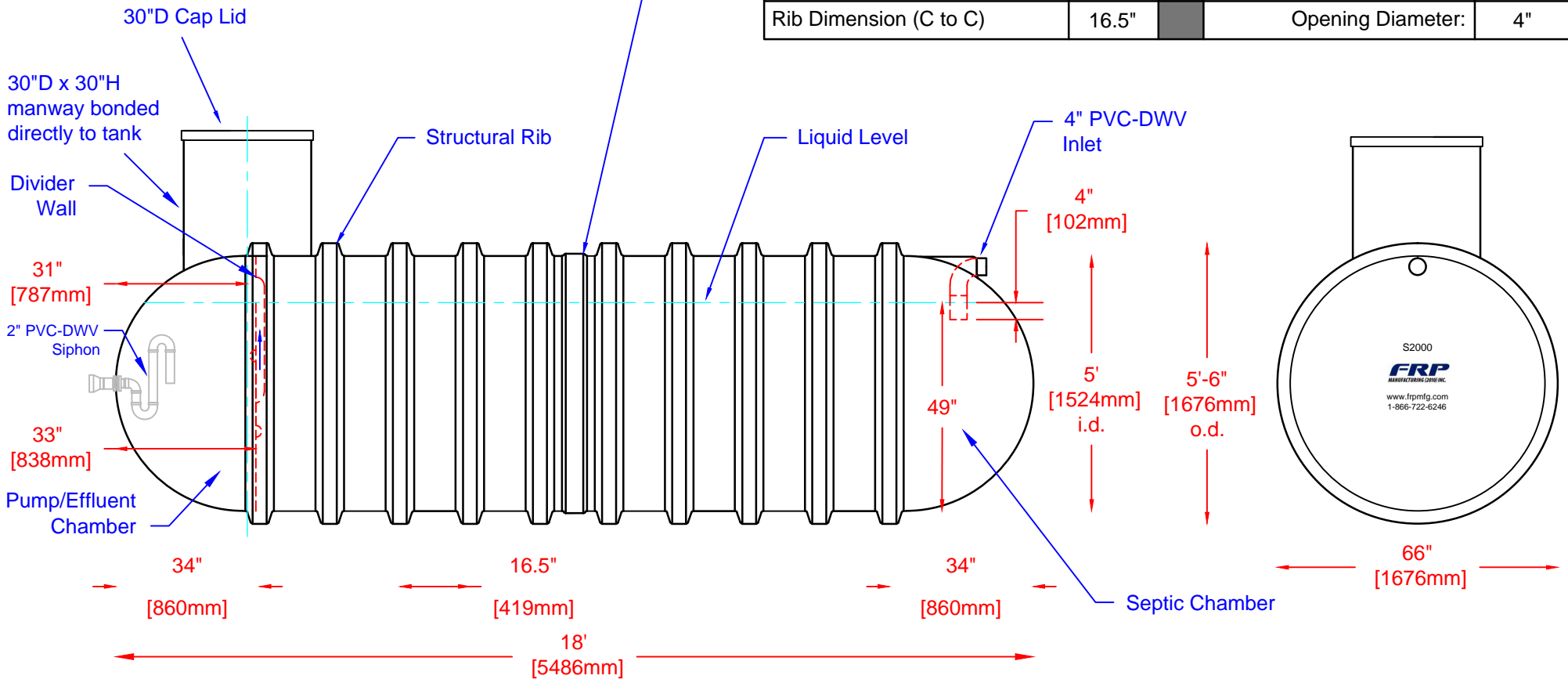


Specifications			
Cylinder Thickness	0.300"	Liquid Depth (holding tank)	N/A
End Cap Thickness	0.300"	Septic Chamber Depth	49"
Inlet Height (C.L.)	56"	Effluent Chamber Depth	49"
Outlet Height (C.L.)	30"	Chamber Wall dimensions	
Inlet Diameter	4"	Height:	60"
Outlet Diameter	2"	Thickness:	0.66"
Rib Dimension (C to C)	16.5"	Opening Diameter:	4"



S2000-BONDED FIBREGLASS SIPHON TANK		DATE: 01-07-2014
Overall Length:	Approx. 5,486mm (18')	BY: MPS
Overall Weight:	Approx. 510 kg (1,125 lbs)	BURIAL DEPTH: 7 Ft
Septic Chamber:	Approx. 7,045L (1,550 Imp Gal, 1,860 US Gal)	REV: 1
Effluent Chamber:	Approx. 963L (212 Imp Gal, 254 US Gal)	APPROVAL:
Overall Capacity:	Approx. 9,090L (2,000 Imp Gal, 2,400 US Gal)	DATE:

FRP
MANUFACTURING (2010) INC.

Website: www.frpmfg.com
Toll Free: 1-866-722-6246

