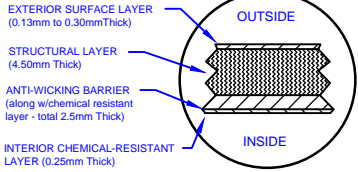
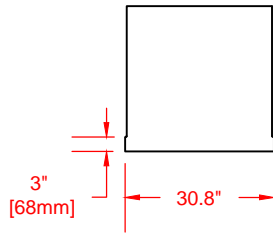


LAMINATE DETAIL



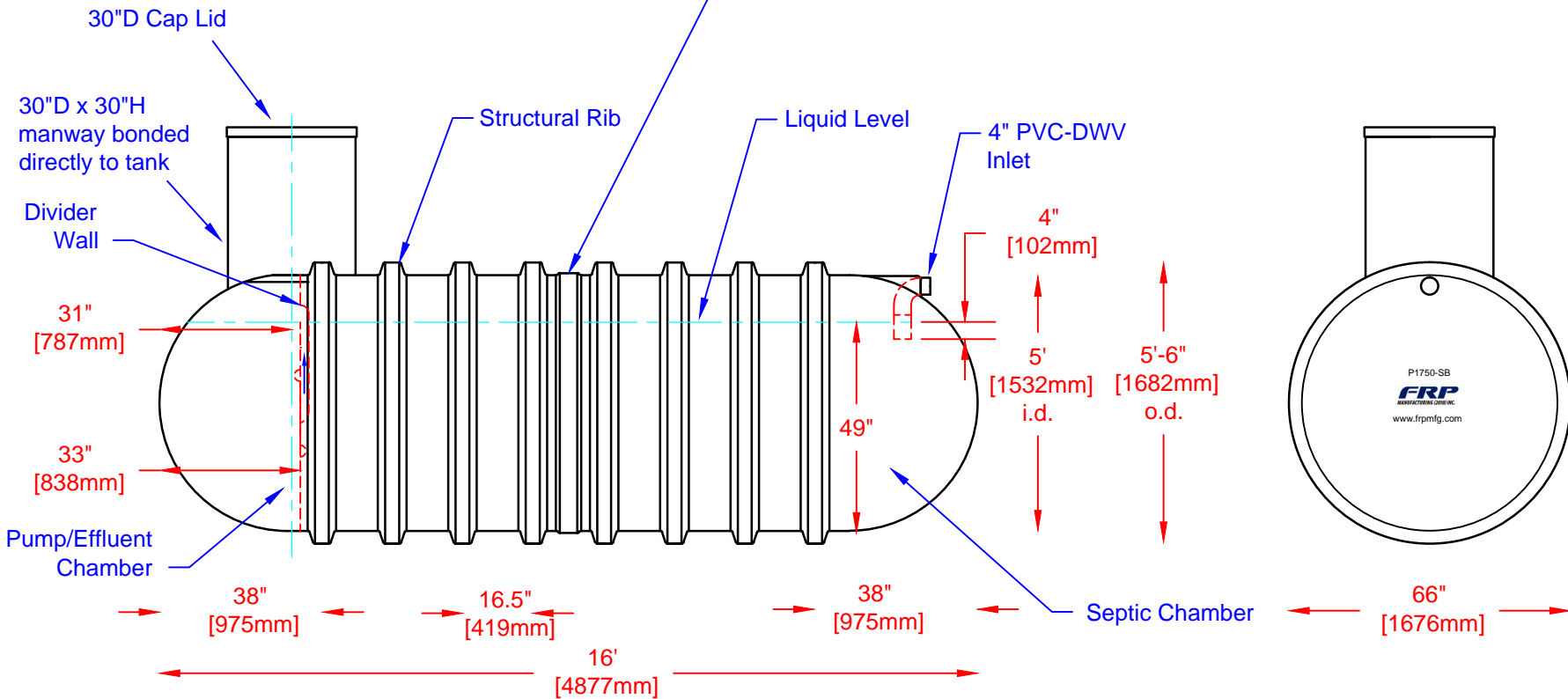
BELL RISER (30" ht. shown)



SECTION-JOINT DETAIL

Specifications

Cylinder Thickness	0.280"	Liquid Depth (holding tank)	N/A
End Cap Thickness	0.280"	Septic Chamber Depth	49"
Inlet Height (C.L.)	56"	Effluent Chamber Depth	49"
Outlet Height (C.L.)	30"	Chamber Wall dimensions	
Inlet Diameter	4"	Height:	60"
Outlet Diameter (Not installed)	2"	Thickness:	0.66"
Rib Dimension (C to C)	16.5"	Opening Diameter:	4"



FRP
MANUFACTURING (2010) INC.

Website: www.frpmfg.com
Toll Free: 1-866-722-6246

P1750-BONDED-SB FIBREGLASS PUMPOUT TANK

Overall Length:	Approx. 4,877mm (16')
Overall Weight:	Approx. 408 kg (900 lbs)
Septic Chamber:	Approx. 6,070L (1,335 Imp Gal, 1,602 US Gal)
Effluent Chamber:	Approx. 963L (212 Imp Gal, 254 US Gal)
Overall Capacity:	Approx. 7,955L (1,750 Imp Gal, 2,100 US Gal)

DATE: 01-07-2014

BY: MPS

BURIAL DEPTH: 2 Ft

REV: 1

APPROVAL:

DATE:

