

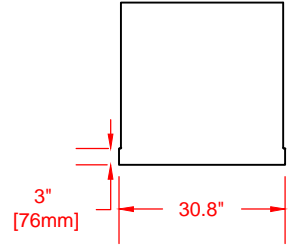
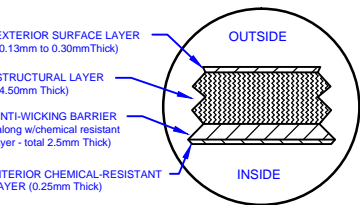
LAMINATE DETAIL

BELL RISER  
(30" ht. shown)

6mm x 200mm  
min. FRP bond  
Inside & Out

Specifications

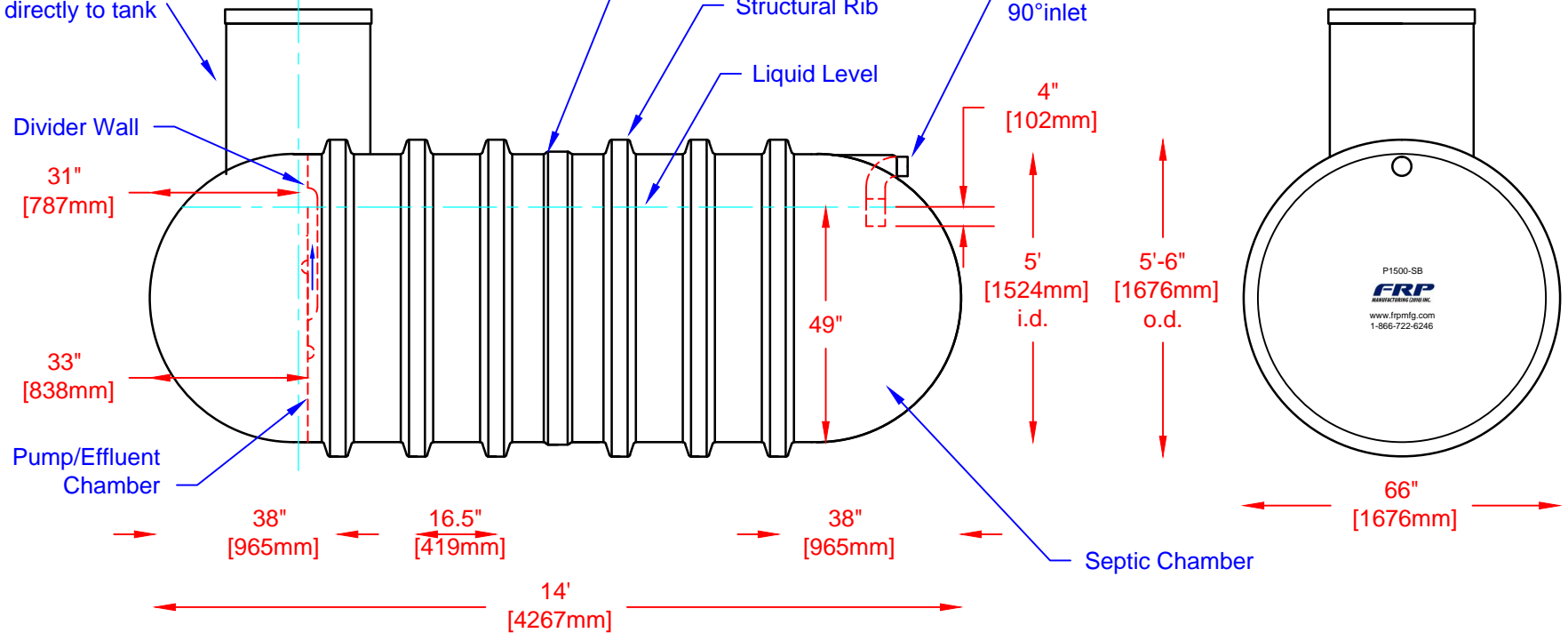
Cylinder Thickness	0.280"	Liquid Depth (holding tank)	N/A
End Cap Thickness	0.280"	Septic Chamber Depth	49"
Inlet Height (C.L.)	56"	Effluent Chamber Depth	49"
Outlet Height (C.L.)	30"	Chamber Wall dimensions	
Inlet Diameter	4"	Height:	60"
Outlet Diameter (Not installed)	2"	Thickness:	0.66"
Rib Dimension (C to C)	16.5"	Opening Diameter:	4"



SECTION-JOINT  
DETAIL

30"D Cap Lid

30"D x 30"H  
manway bond  
directly to tank



**FRP**  
MANUFACTURING (2010) INC.  
Website: [www.frpmsg.com](http://www.frpmsg.com)  
Toll Free: 1-866-722-6246

P1500-BONDED-SB FIBREGLASS PUMPOUT TANK		DATE: 01-07-2014
Overall Length:	Approx. 4,267mm (14')	BY: MPS
Overall Weight:	Approx. 363 kg (800 lbs)	BURIAL DEPTH: 2 Ft
Septic Chamber:	Approx. 5,092L (1,120 Imp Gal, 1,344 US Gal)	REV: 1
Effluent Chamber:	Approx. 963L (212 Imp Gal, 254 US Gal)	APPROVAL:
Overall Capacity:	Approx. 6,819L (1,500 Imp Gal, 1,800 US Gal)	DATE:

