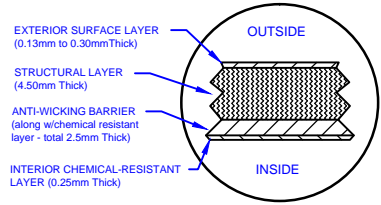
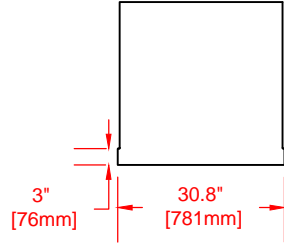


LAMINATE DETAIL



BELL RISER  
(30" ht. shown)



SECTION-JOINT  
DETAIL

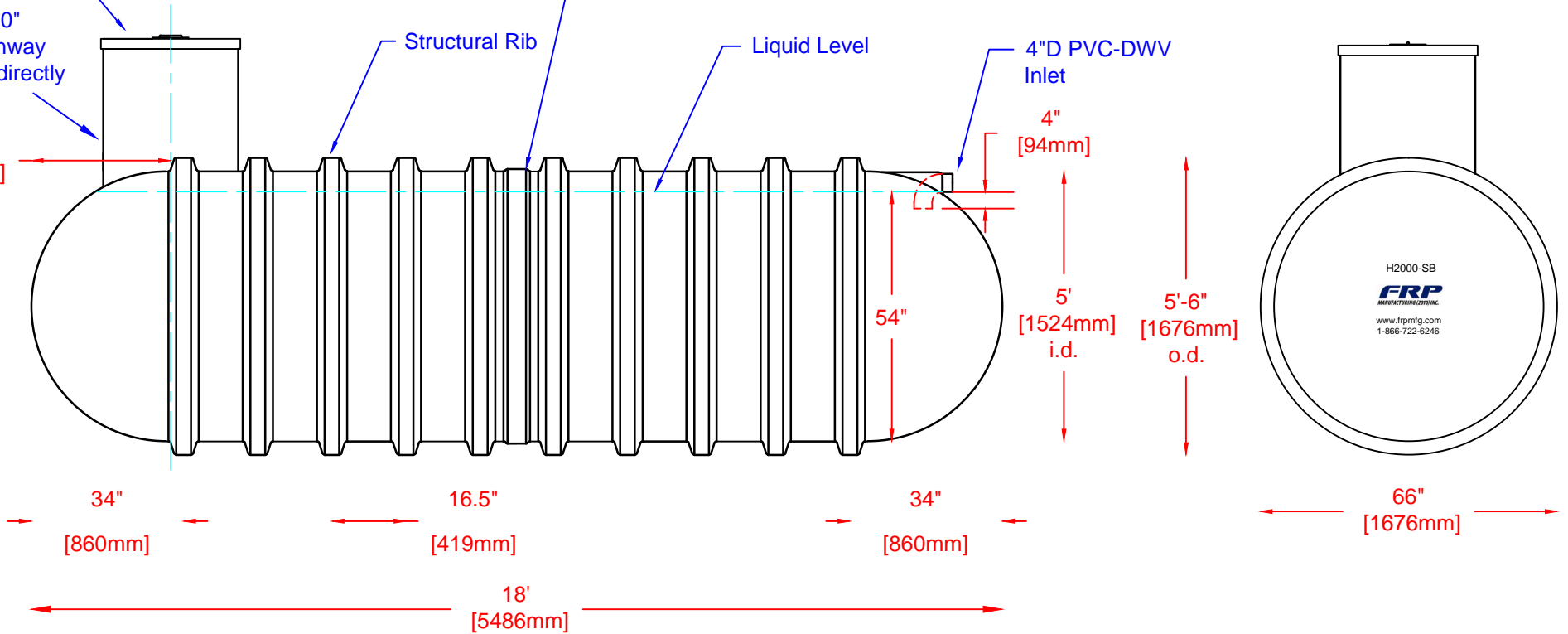
Specifications

|                        |        |                             |     |
|------------------------|--------|-----------------------------|-----|
| Cylinder Thickness     | 0.280" | Liquid Depth (holding tank) | 54" |
| End Cap Thickness      | 0.280" | Septic Chamber Depth        | N/A |
| Inlet Height (C.L.)    | 56"    | Effluent Chamber Depth      | N/A |
| Outlet Height (C.L.)   | N/A    | Chamber Wall dimensions     | N/A |
| Inlet Diameter         | 4"     | Height:                     | N/A |
| Outlet Diameter        | N/A    | Thickness:                  | N/A |
| Rib Dimension (C to C) | 16.5"  | Opening Diameter:           | N/A |

30"D Cap Lid w/8"D poly nonvented screw out insert.

30"D x 30" high manway bonded directly to tank

31" [787mm]



**FRP**  
MANUFACTURING (2010) INC.

Website: [www.frpmsg.com](http://www.frpmsg.com)  
Toll Free: 1-866-722-6246

H2000-BONDED-SB FIBREGLASS SEWAGE HOLDING TANK

|                   |  |
|-------------------|--|
| Overall Length:   | Approx. 5,486mm (18')                        |
| Overall Weight:   | Approx. 397 kg (875 lbs)                     |
| Working Capacity: | Approx. 8,646L (1,902 Imp Gal, 2,282 US Gal) |
| Overall Capacity: | Approx. 9,092L (2,000 Imp Gal, 2,400 US Gal) |

DATE: 01-08-2014 REV: 1

BY: MPS  
BURIAL DEPTH: 2 Ft  
DATE:  
APPROVAL:

