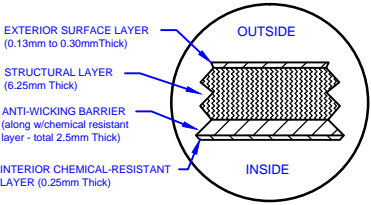
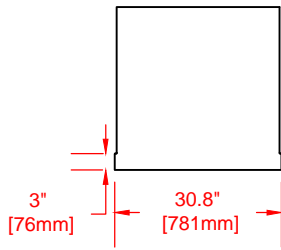


LAMINATE DETAIL



BELL RISER
(30" ht. shown)



SECTION-JOINT
DETAIL

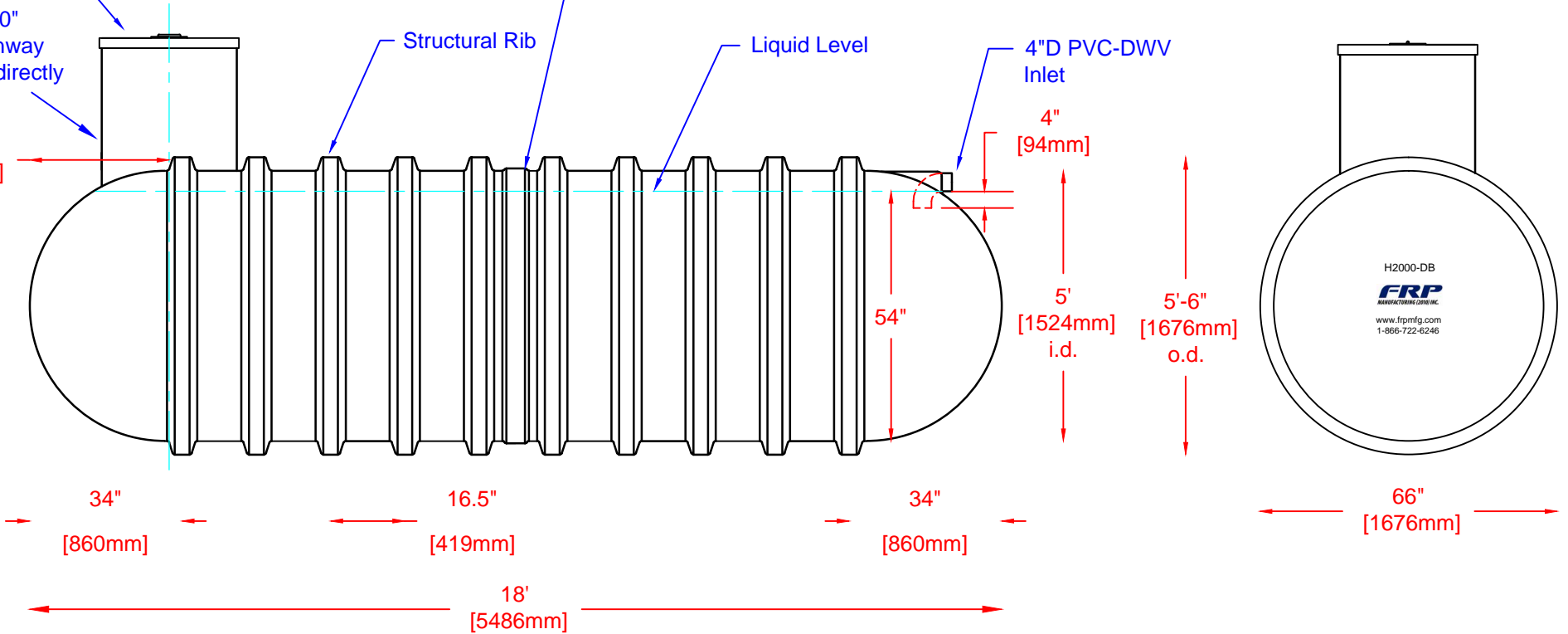
Specifications

Cylinder Thickness	0.346"	Liquid Depth (holding tank)	54"
End Cap Thickness	0.351"	Septic Chamber Depth	N/A
Inlet Height (C.L.)	56"	Effluent Chamber Depth	N/A
Outlet Height (C.L.)	N/A	Chamber Wall dimensions	N/A
Inlet Diameter	4"	Height:	N/A
Outlet Diameter	N/A	Thickness:	N/A
Rib Dimension (C to C)	16.5"	Opening Diameter:	N/A

30"D Cap Lid w/8"D poly nonvented screw out insert.

30"D x 30" high manway bonded directly to tank

31" [787mm]



FRP
MANUFACTURING (2010) INC.

Website: www.frpmfg.com
Toll Free: 1-866-722-6246

H2000-BONDED-DB FIBREGLASS SEWAGE HOLDING TANK

Overall Length:	Approx. 5,486mm (18')
Overall Weight:	Approx. 522 kg (1,150 lbs)
Working Capacity:	Approx. 8,646L (1,902 Imp Gal, 2,282 US Gal)
Overall Capacity:	Approx. 9,092L (2,000 Imp Gal, 2,400 US Gal)

DATE: 01-08-2014 REV: 1

BY: MPS
BURIAL DEPTH: 12 Ft
DATE:
APPROVAL:

