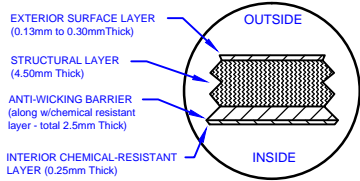
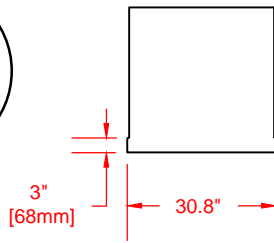


LAMINATE DETAIL



BELL RISER (30" ht. shown)



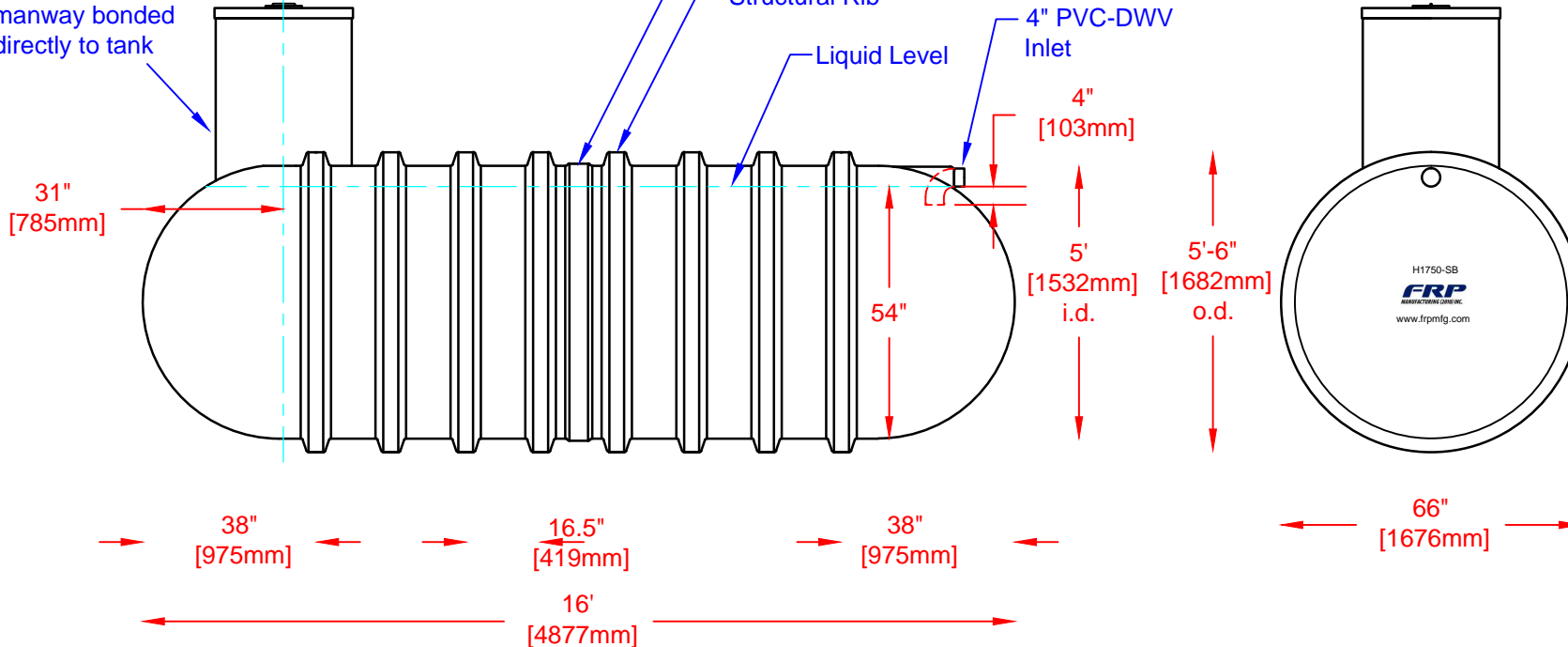
SECTION-JOINT DETAIL

Specifications

Cylinder Thickness	0.280"	Septic Chamber Depth	54"
End Cap Thickness	0.280"	Septic Chamber Depth	N/A
Inlet Height (C.L.)	56"	Effluent Chamber Depth	N/A
Outlet Height (C.L.)	N/A	Chamber Wall dimensions	
Inlet Diameter	4"	Height:	N/A
Outlet Diameter	N/A	Thickness:	N/A
Rib Dimension (C to C)	16.5"	Opening Diameter:	N/A

30"D Lid w/8"D poly nonvented screw out insert.

30"D x 30"H manway bonded directly to tank



FRP
MANUFACTURING (2010) INC.

Website: www.frpmsg.com
Toll Free: 1-866-722-6246

H1750-BONDED-SB FIBREGLASS SEWAGE HOLDING TANK		DATE: 01-08-2014	REV: 1
Overall Length:	Approx. 4,877mm (16')	BY: MPS	
Overall Weight:	Approx. 352 kg (775 lbs)	BURIAL DEPTH: 2 Ft	
Working Capacity:	Approx. 7,594L (1,670 Imp Gal, 2,004 US Gal)	DATE:	
Overall Capacity:	Approx. 7,955L (1,750 Imp Gal, 2,100 US Gal)	APPROVAL:	

