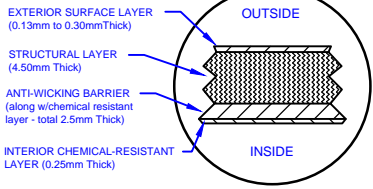
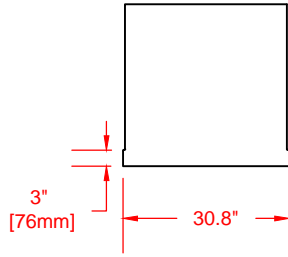


LAMINATE DETAIL



BELL RISER (30" ht. shown)



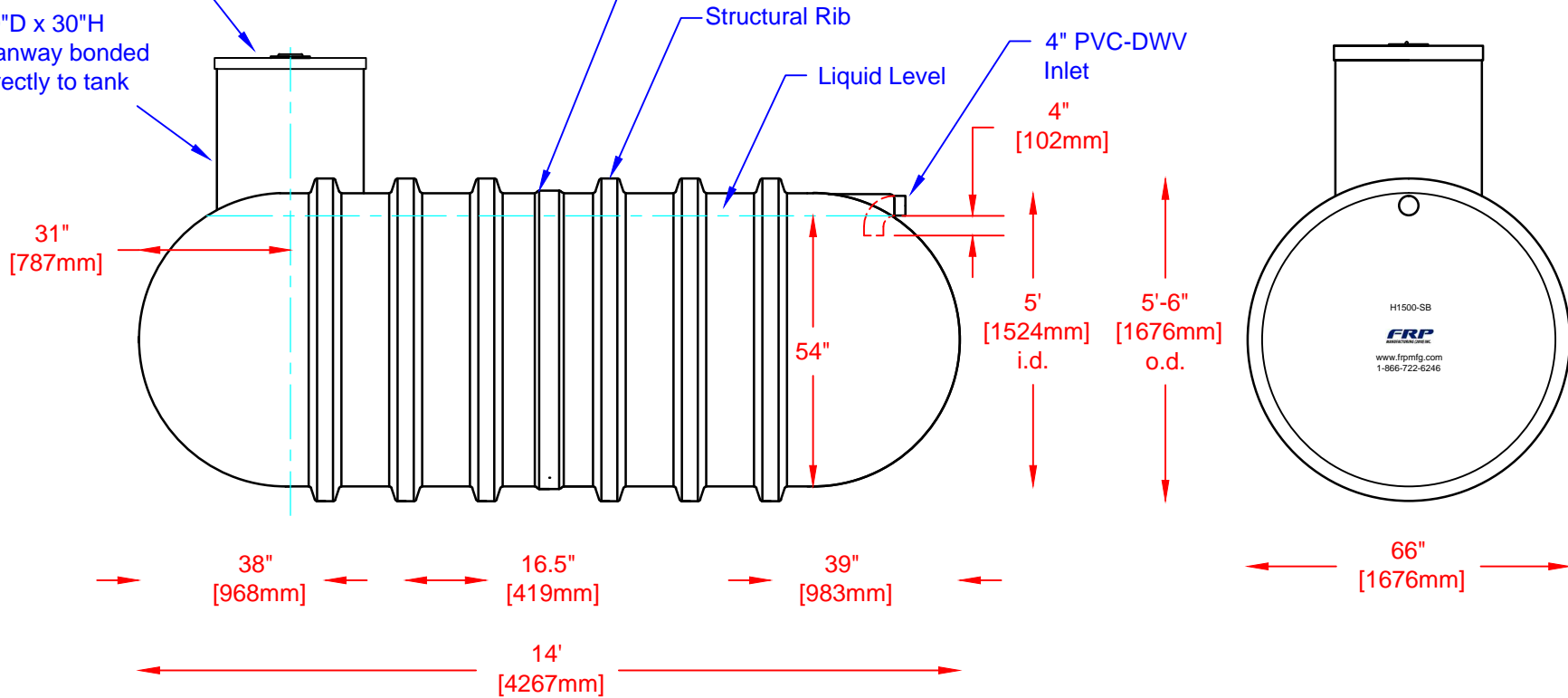
SECTION-JOINT DETAIL

Specifications

| | | | |
|------------------------|--------|-----------------------------|-----|
| Cylinder Thickness | 0.280" | Liquid Depth (holding tank) | 54" |
| End Cap Thickness | 0.280" | Septic Chamber Depth | N/A |
| Inlet Height (C.L.) | 56" | Effluent Chamber Depth | N/A |
| Outlet Height (C.L.) | N/A | Chamber Wall dimensions | |
| Inlet Diameter | 4" | Height: | N/A |
| Outlet Diameter | N/A | Thickness: | N/A |
| Rib Dimension (C to C) | 16.5" | Opening Diameter: | N/A |

30"D Cap Lid w/8"D Poly non-vented screw out Lid

30"D x 30"H manway bonded directly to tank



FRP
MANUFACTURING (2010) INC.
 Website: www.frpmlfg.com
 Toll Free: 1-866-722-6246

| | | | |
|---|--|--------------------|--------|
| H1500-BONDED-SB FIBREGLASS SEWAGE HOLDING TANK | | DATE: 01-08-2014 | REV: 1 |
| Overall Length: | Approx. 4,267mm (14') | BY: MPS | |
| Overall Weight: | Approx. 306 kg (675 lbs) | BURIAL DEPTH: 2 Ft | |
| Working Capacity: | Approx. 6,540L (1,438 Imp Gal, 1,726 US Gal) | DATE: | |
| Overall Capacity: | Approx. 6,820L (1,500 Imp Gal, 1,800 US Gal) | APPROVAL: | |

