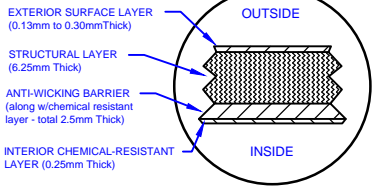
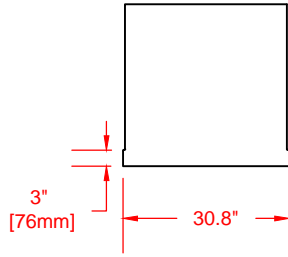


LAMINATE DETAIL



BELL RISER (30" ht. shown)



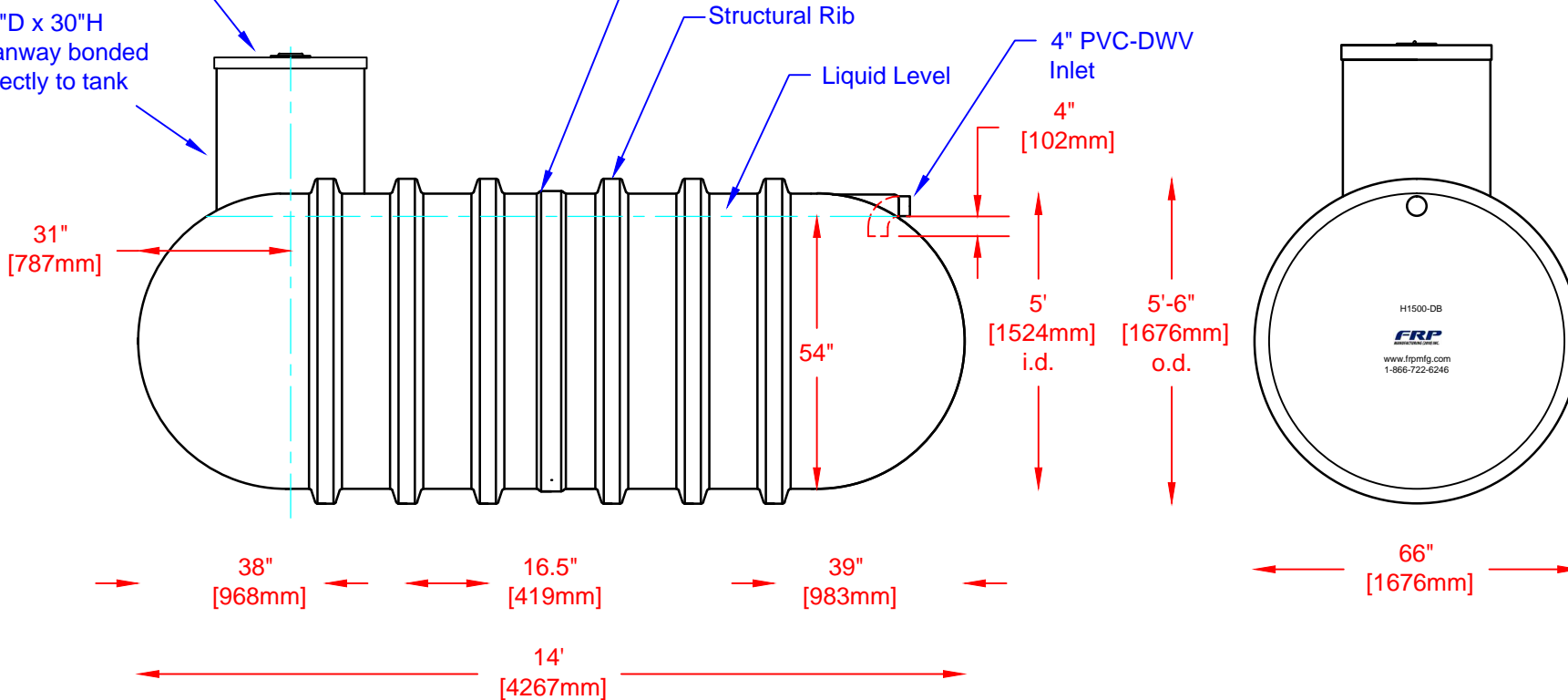
SECTION-JOINT DETAIL

Specifications

Cylinder Thickness	0.346"	Liquid Depth (holding tank)	54"
End Cap Thickness	0.351"	Septic Chamber Depth	N/A
Inlet Height (C.L.)	56"	Effluent Chamber Depth	N/A
Outlet Height (C.L.)	N/A	Chamber Wall dimensions	
Inlet Diameter	4"	Height:	N/A
Outlet Diameter	N/A	Thickness:	N/A
Rib Dimension (C to C)	16.5"	Opening Diameter:	N/A

30"D Cap Lid w/8"D Poly non-vented screw out Lid

30"D x 30"H manway bonded directly to tank



H1500-DB
FRP
www.frpmfg.com
1-866-722-6246

FRP
MANUFACTURING (2010) INC.
Website: www.frpmfg.com
Toll Free: 1-866-722-6246

H1500-BONDED-DB FIBREGLASS SEWAGE HOLDING TANK		DATE: 01-08-2014	REV: 1
Overall Length:	Approx. 4,267mm (14')	BY: MPS	
Overall Weight:	Approx. 397 kg (875 lbs)	BURIAL DEPTH: 12 Ft	
Working Capacity:	Approx. 6,540L (1,438 Imp Gal, 1,726 US Gal)	DATE:	
Overall Capacity:	Approx. 6,820L (1,500 Imp Gal, 1,800 US Gal)	APPROVAL:	

