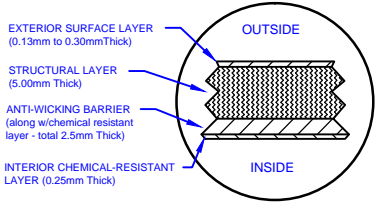
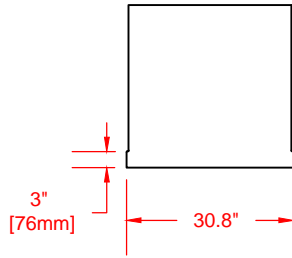


LAMINATE DETAIL



BELL RISER  
(30" ht. shown)



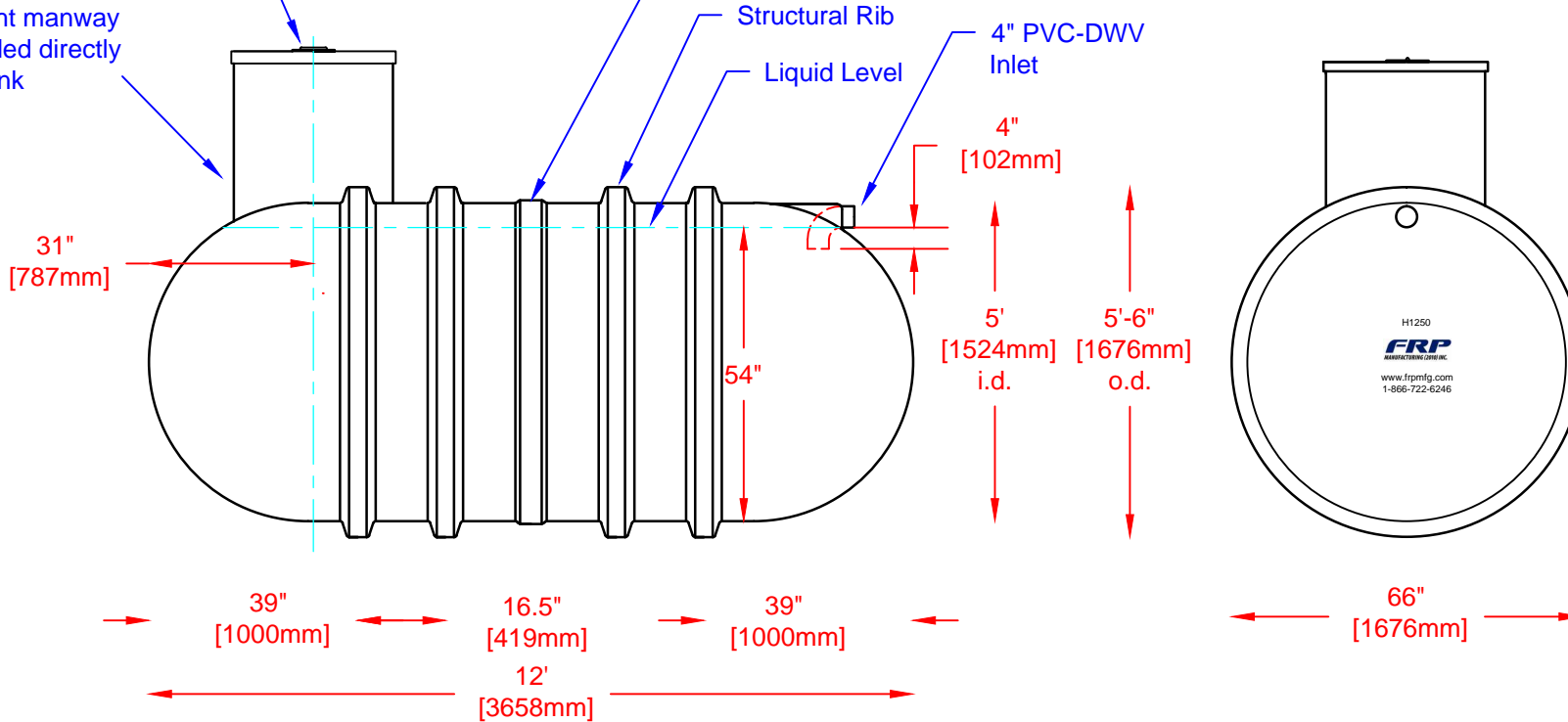
SECTION-JOINT  
DETAIL

Specifications

Cylinder Thickness	0.300"	Liquid Depth (holding tank)	54"
End Cap Thickness	0.300"	Septic Chamber Depth	N/A
Inlet Height (C.L.)	56"	Effluent Chamber Depth	N/A
Outlet Height (C.L.)	N/A	Chamber Wall dimensions	
Inlet Diameter	4"	Height:	N/A
Outlet Diameter (Not installed)	N/A	Thickness:	N/A
Rib Dimension (C to C)	16.5"	Opening Diameter:	N/A

30"D Cap Lid w/8" D poly non-vented screw out Lid

30"dia x 30" height manway bonded directly to tank



**FRP**  
MANUFACTURING (2010) INC.  
Website: [www.frpmfg.com](http://www.frpmfg.com)  
Toll Free: 1-866-722-6246

H1250-BONDED FIBREGLASS SEWAGE HOLDING TANK		DATE: 01-08-2014	REV: 1
Overall Length:	Approx. 3,658mm (12')	BY: MPS	
Overall Weight:	Approx. 283 kg (625 lbs)	BURIAL DEPTH: 7 Ft	
Working Capacity:	Approx. 5,486L (1,207 Imp Gal, 1,448 US Gal)	DATE:	
Overall Capacity:	Approx. 5,682L (1,250 Imp Gal, 1,500 US Gal)	APPROVAL:	

