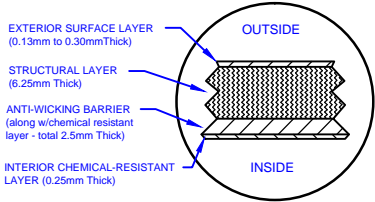
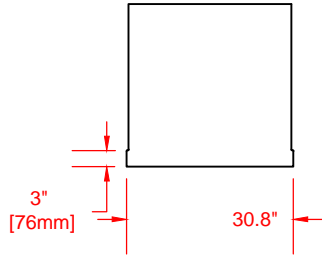


LAMINATE DETAIL



BELL RISER
(30" ht. shown)



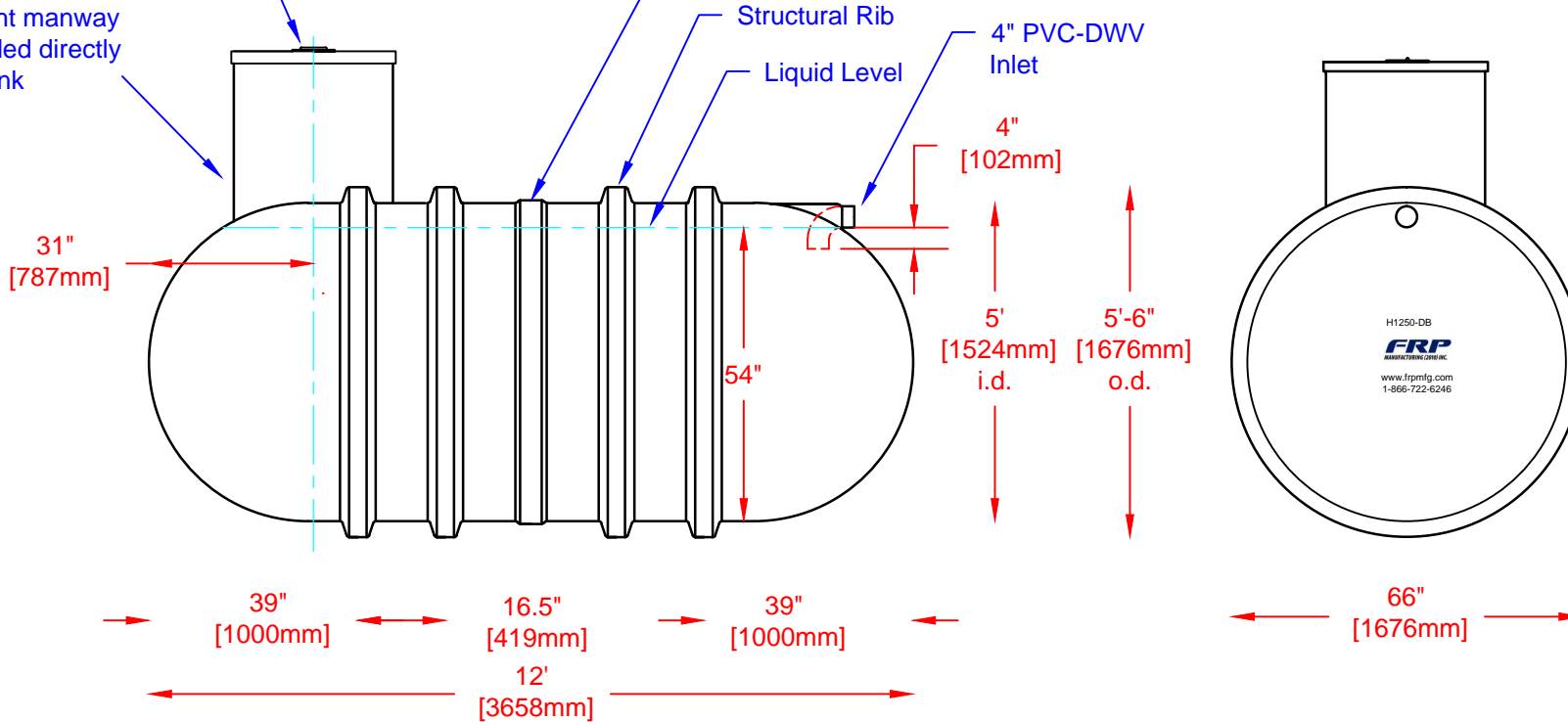
SECTION-JOINT
DETAIL

Specifications

Cylinder Thickness	0.346"	Liquid Depth (holding tank)	54"
End Cap Thickness	0.351"	Septic Chamber Depth	N/A
Inlet Height (C.L.)	56"	Effluent Chamber Depth	N/A
Outlet Height (C.L.)	N/A	Chamber Wall dimensions	
Inlet Diameter	4"	Height:	N/A
Outlet Diameter (Not installed)	N/A	Thickness:	N/A
Rib Dimension (C to C)	16.5"	Opening Diameter:	N/A

30"D Cap Lid w/8" D poly non-vented screw out Lid

30"dia x 30" height manway bonded directly to tank



H1250-DB
FRP
MANUFACTURING (2010) INC.
www.frpmfg.com
1-866-722-6246

FRP
MANUFACTURING (2010) INC.

Website: www.frpmfg.com
Toll Free: 1-866-722-6246

H1250-BONDED-DB FIBREGLASS SEWAGE HOLDING TANK

Overall Length:	Approx. 3,658mm (12')	DATE: 01-08-2014	REV: 1
Overall Weight:	Approx. 318 kg (700 lbs)	BY: MPS	
Working Capacity:	Approx. 5,486L (1,207 Imp Gal, 1,448 US Gal)	BURIAL DEPTH: 12 Ft	
Overall Capacity:	Approx. 5,682L (1,250 Imp Gal, 1,500 US Gal)	DATE:	
		APPROVAL:	

