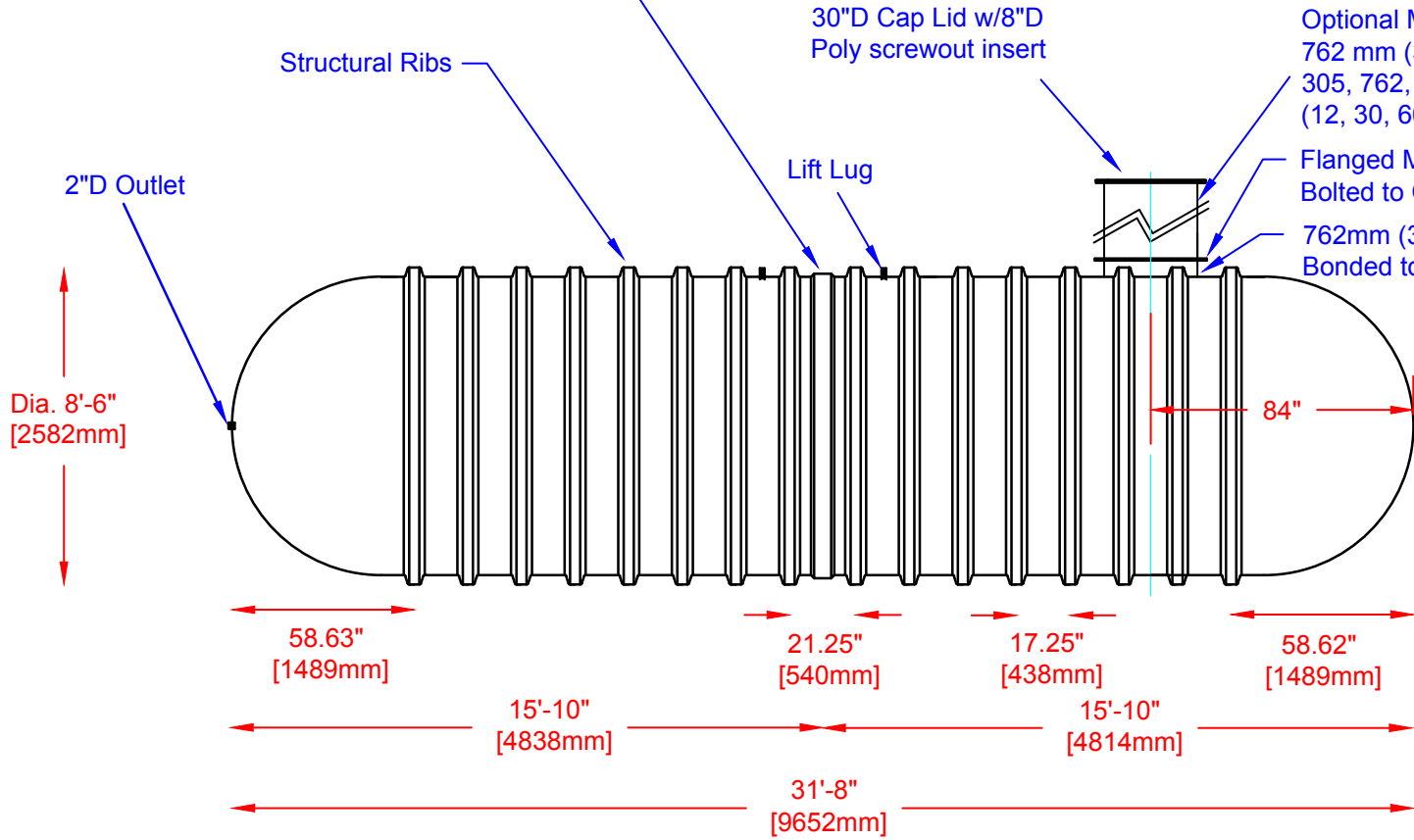


Specifications	
Cylinder Thickness	0.375"
End Cap Thickness	0.475"
Inlet Height (C.L.)	N/A
Outlet Height (C.L.)	48"
Inlet Diameter	N/A
Outlet Diameter	2"
Rib Dimension (C to C)	17.25"



Various fittings available including bulkhead fittings, pipe, flanged fittings, vents, etc. at extra cost.

**FRP**  
 MANUFACTURING (2010) INC.  
 Website: [www.frpmfg.com](http://www.frpmfg.com)  
 Toll Free: 1-866-722-6246

B9000W FIBREGLASS WATER CISTERN		DATE: 06-29-2018	REV: 2
Overall Length:	Approx. 9,652mm (31'8" )	BY: MPS	
Overall Weight:	Approx. 1,568 kg (3,450 lbs)	DATE:	
Overall Capacity:	Approx. 41,264L (9,076 Imp Gal, 10,891 US Gal)	APPROVAL:	

