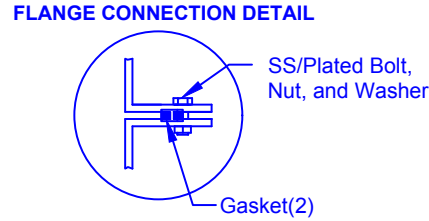
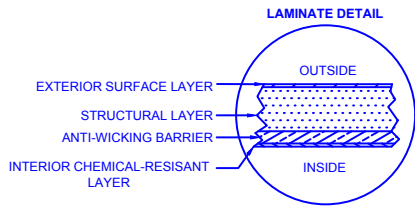
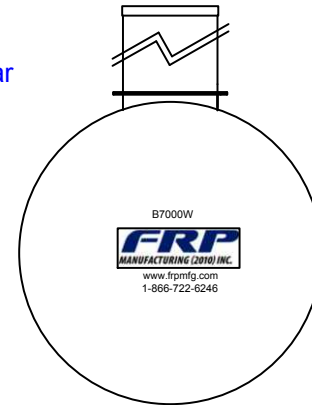
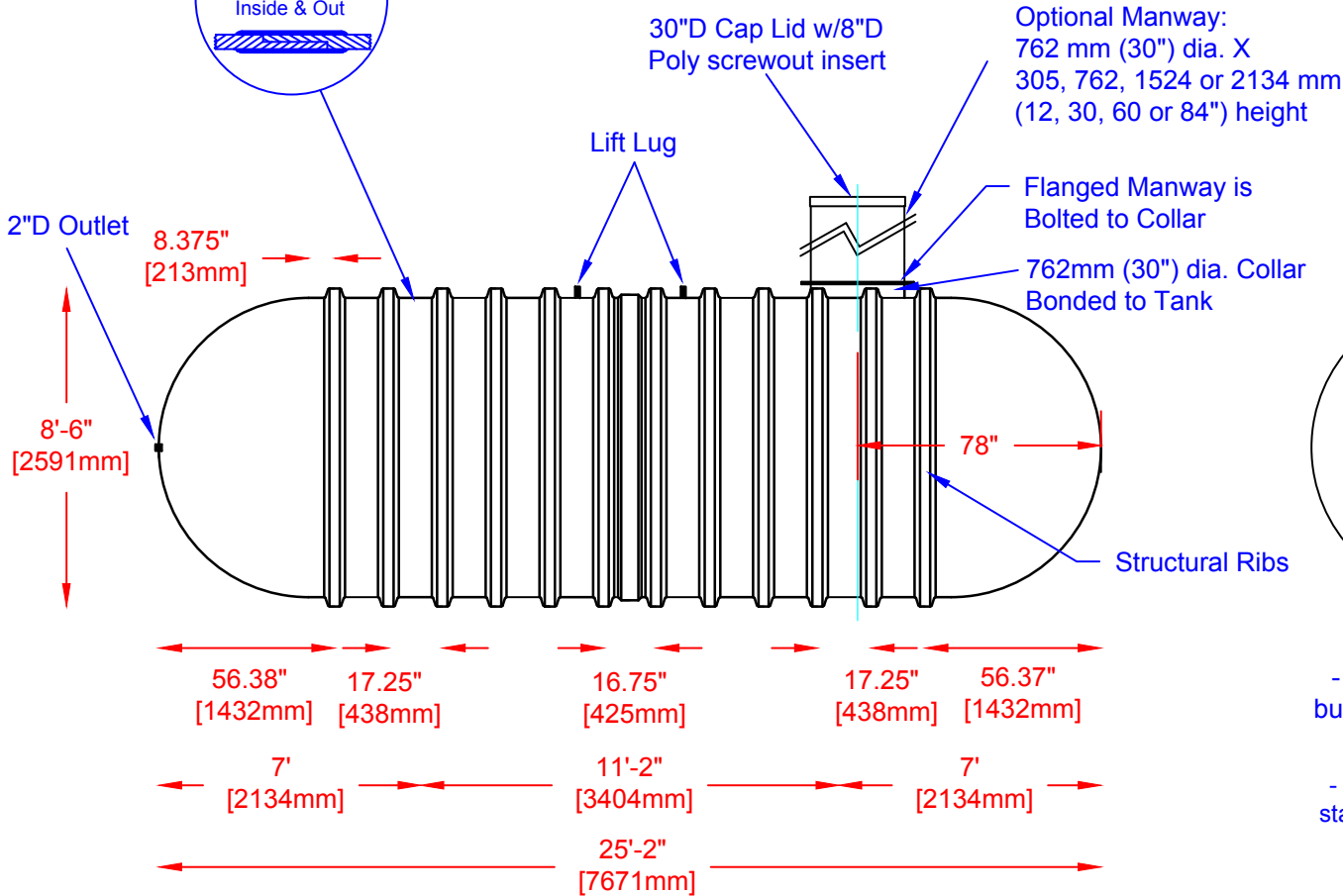


Specifications

Cylinder Thickness	0.375"
End Cap Thickness	0.475"
Inlet Height (C.L.)	N/A
Outlet Height (C.L.)	48"
Inlet Diameter	N/A
Outlet Diameter	2"
Rib Dimension (C to C)	17.25"



SECTION-JOINT DETAIL



- Various fittings available including bulkhead fittings, pipe, flanged fittings, vents, etc. at extra cost.

- Accessories available such as pump stand, 2nd manway, ladder, lock bar for lid, etc. at extra cost.

Website: www.frpmfg.com
Toll Free: 1-866-722-6246

B7000W FIBREGLASS WATER CISTERN		DATE: 04-12-2018	DWG SCALE:
Overall Length:	Approx. 7,671mm (25'2")	BY: MPS	REV: 2
Overall Weight:	Approx. 1,270 kg (2,800 lbs)	DATE:	
Overall Capacity:	Approx. 32,016L (7,042 Imp Gal, 8,450 US Gal)	APPROVAL:	

Drinking Water
NSF/ANSI 61