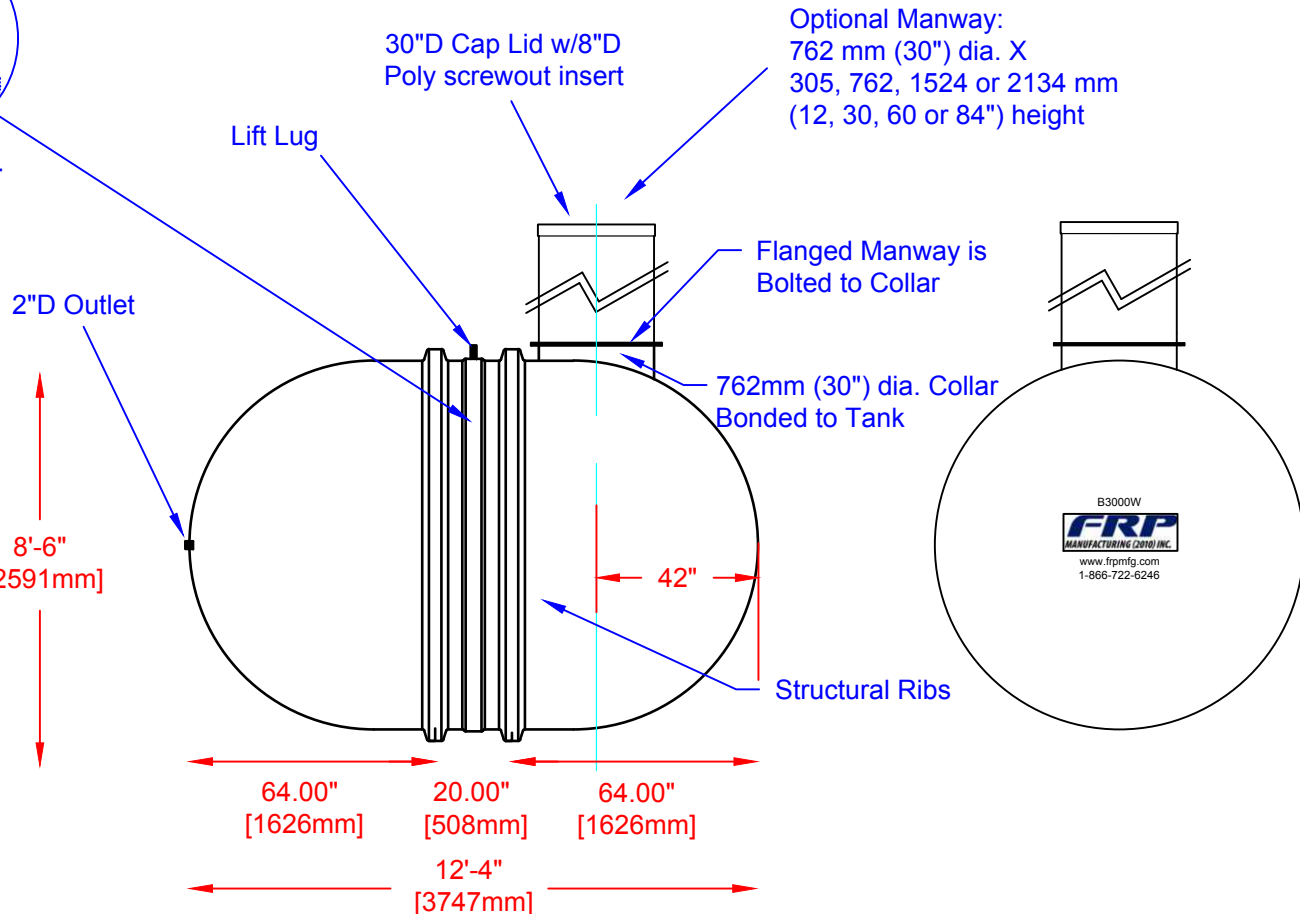
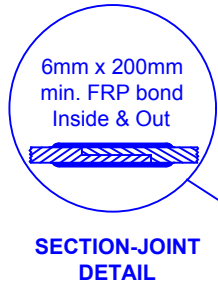
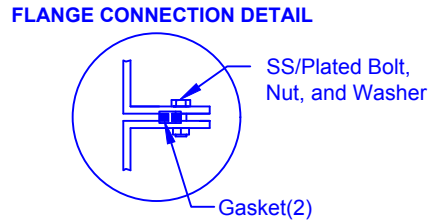
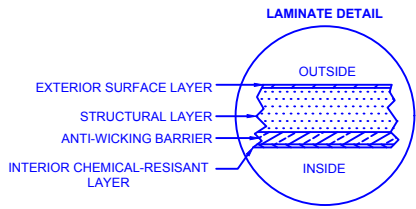


Specifications

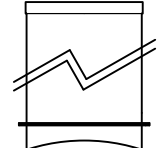
Cylinder Thickness	0.375"
End Cap Thickness	0.475"
Inlet Height (C.L.)	N/A
Outlet Height (C.L.)	48"
Inlet Diameter	N/A
Outlet Diameter	2"
Rib Dimension (C to C)	17.25"



Optional Manway:
762 mm (30") dia. X
305, 762, 1524 or 2134 mm
(12, 30, 60 or 84") height

Various fittings available including bulkhead fittings, pipe, flanged fittings, vents, etc. at extra cost.

Accessories available such as pump stand, 2nd manway, ladder, lock bar for lid, etc. at extra cost.



Website: www.frpmfg.com
Toll Free: 1-866-722-6246

B3000W FIBREGLASS WATER CISTERN		DATE: 04-12-2018	DWG SCALE:
Overall Length:	Approx. 3,759mm (12' 4")	BY: MPS	REV: 1
Overall Weight:	Approx. 612 kg (1,350 lbs)	DATE:	
Overall Capacity:	Approx. 13,638L (3,000 Imp Gal, 3,600 US Gal)	APPROVAL:	



Drinking Water
NSF/ANSI 61