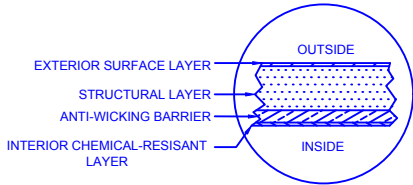


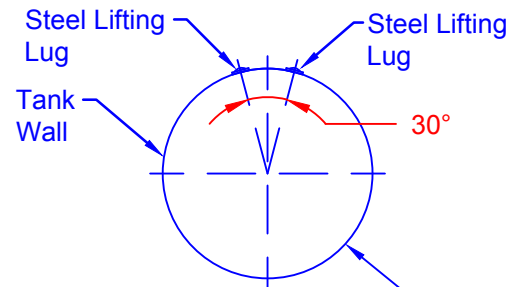
# Specifications

Cylinder Thickness	0.375"
End Cap Thickness	0.475"
Inlet Height (C.L.)	N/A
Outlet Height (C.L.)	48"
Inlet Diameter	N/A
Outlet Diameter	2"
Rib Dimension (C to C)	17.25"

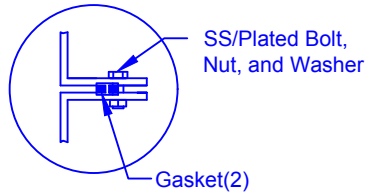
LAMINATE DETAIL



LIFTING LUG DETAIL



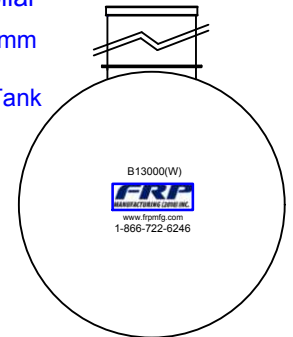
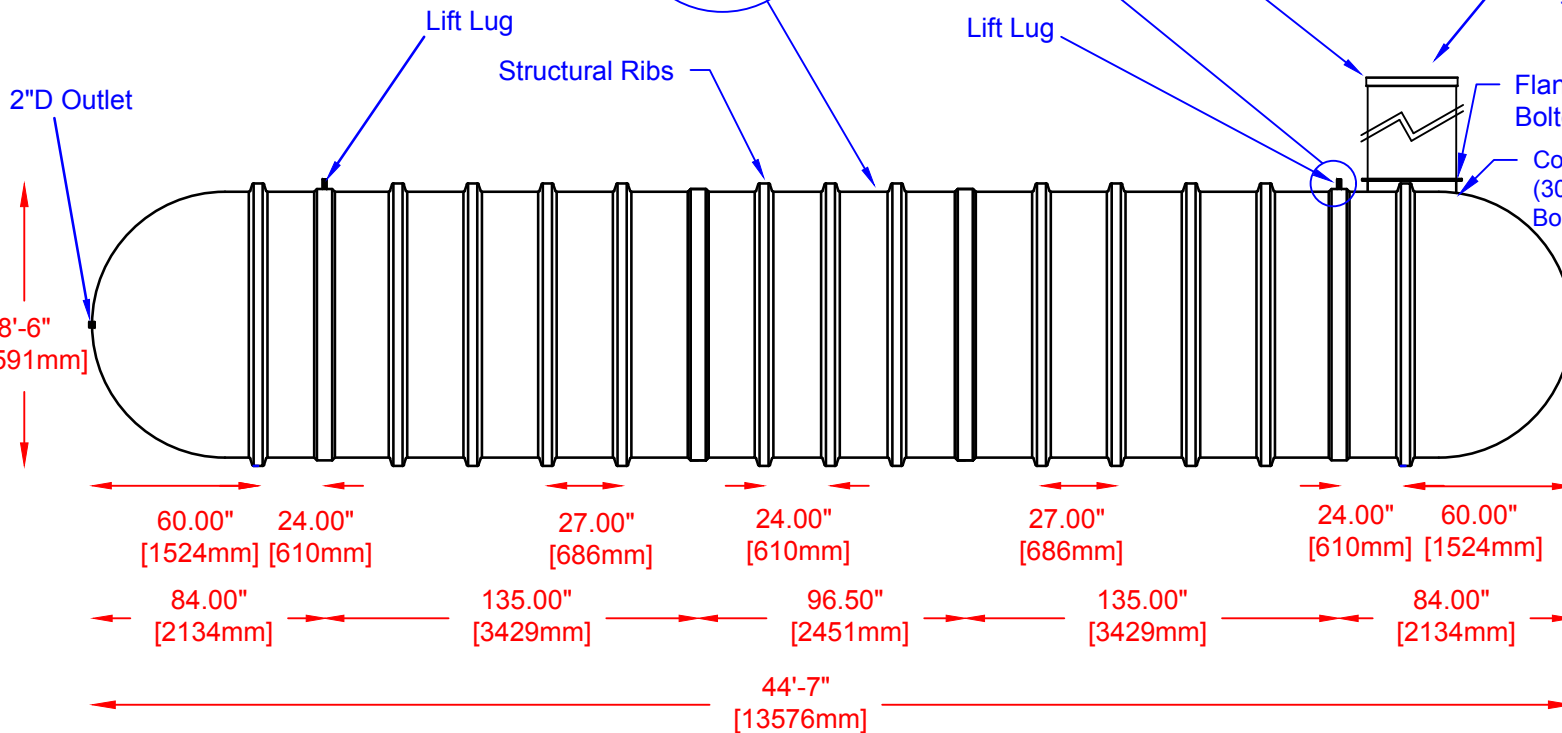
FLANGE CONNECTION DETAIL



SECTION-JOINT DETAIL



Optional Manway:  
762 mm (30") dia. X  
305, 762, 1524 or 2134 mm  
(12, 30, 60 or 84") height



Accessories available such as pump stand, 2nd manway, ladder, lock bar for lid, etc. at extra cost.

Various fittings available including bulkhead fittings, pipe, flanged fittings, vents, etc. at extra cost.

**FRP**  
MANUFACTURING (2010) INC.  
Website: www.frpmfg.com  
Toll Free: 1-866-722-6246

B-13000(W) FIBREGLASS WATER CISTERN		DATE: 07-05-2018	DWG SCALE:
Overall Length:	Approx. 13,576mm (44' 7")	BY: MPS	REV: 0
Overall Weight:	Approx. 2,495 kg (5,500 lbs)	DATE:	
Overall Capacity:	Approx. 59,644L (13,120 Imp Gal, 15,744 US Gal)	APPROVAL:	

Drinking Water  
NSF/ANSI 61