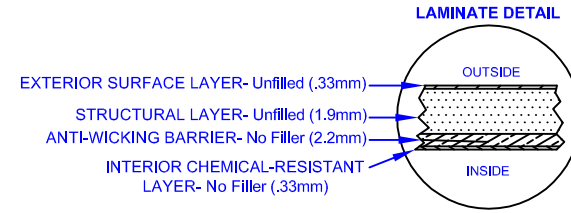
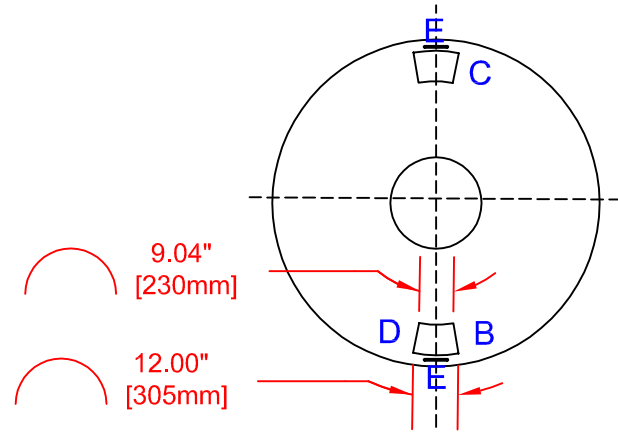


LABEL LOCATIONS					
ITEM	QTY	DESCRIPTION	ITEM	QTY	DESCRIPTION
A	1	NAME PLATE	B	1	INLET
C	1	OUTLET	D	1	DANGER GAS
E	2	LIFTING HANDLE			

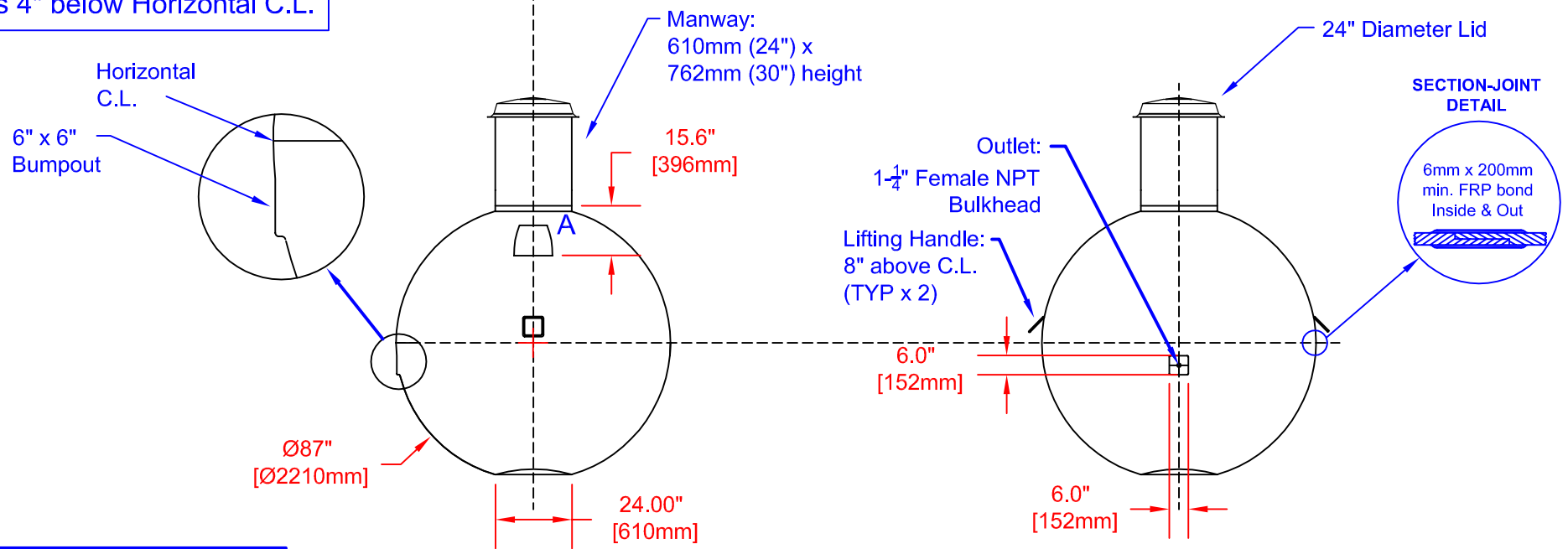
\* TANK COMES FULLY ASSEMBLED FROM FACTORY \*

\* PVC FITTINGS ARE CSA CERTIFIED



**Note:**

6" x 6" Flat Bumpout that is 4" below Horizontal C.L.



**FRP**  
MANUFACTURING (2010) INC.  
WB1200 FIBREGLASS  
WATER CISTERN

DATE: 05-25-2007	DATE:	DWG SCALE:	Overall Diameter:	2,210mm (87")
BY: MARK SOLLID	APPROVAL:	REV: A	Overall Weight:	182kg (400lbs)
			Holding Capacity:	5,655L (1,244 Imp Gal, 1,493 US Gal)