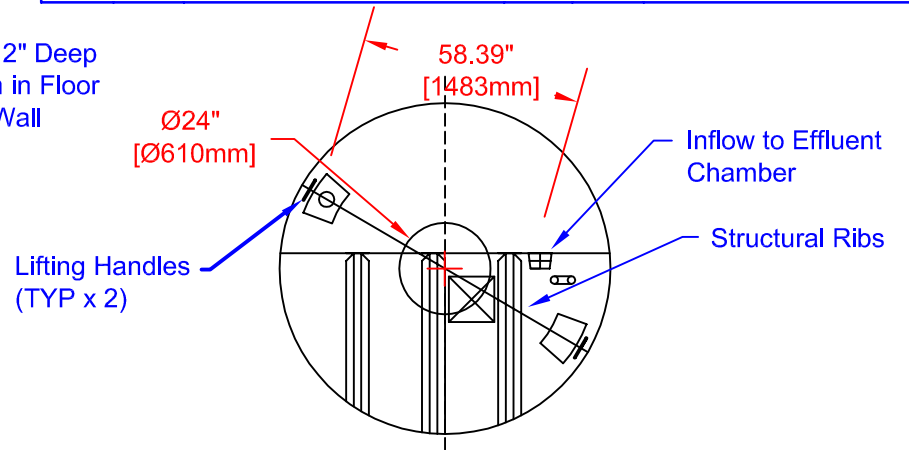
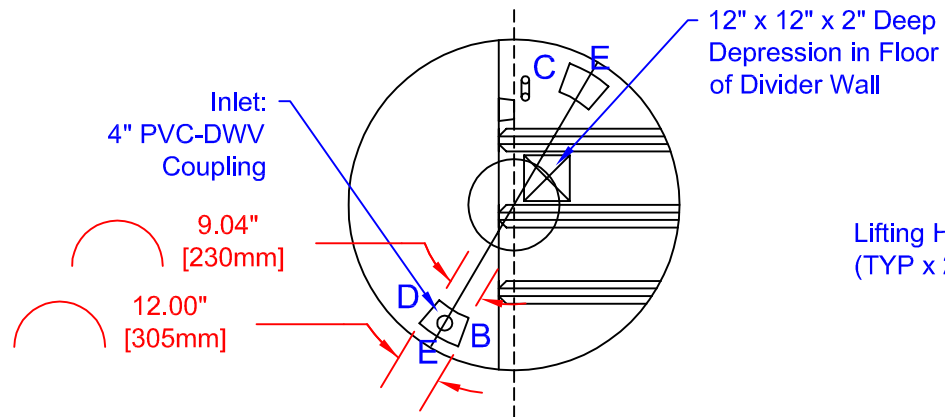
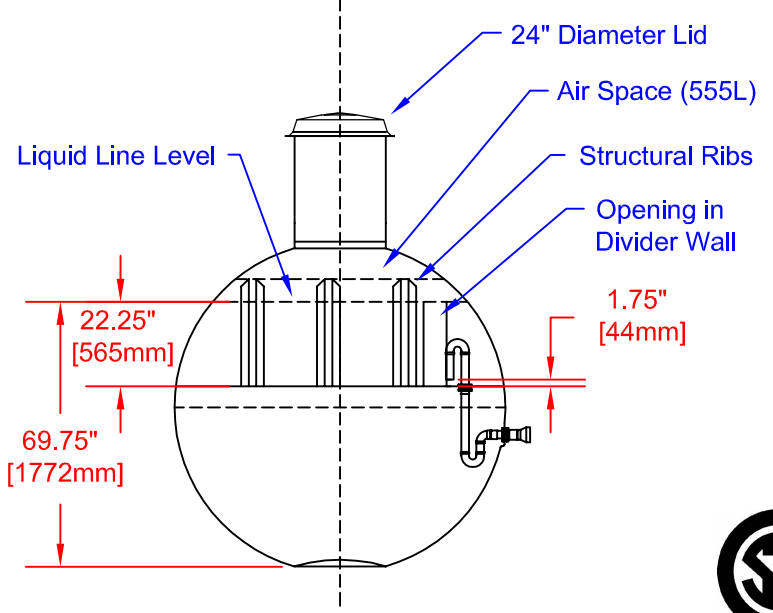
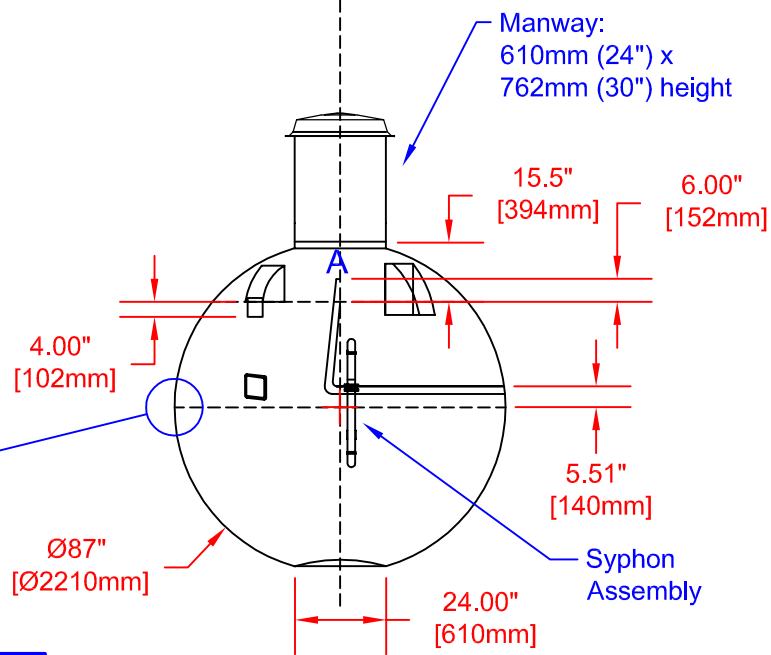


LABEL LOCATIONS					
ITEM	QTY	DESCRIPTION	ITEM	QTY	DESCRIPTION
A	1	NAME PLATE	B	1	INLET
C	1	OUTLET	D	1	DANGER GAS
E	2	LIFTING HANDLE			

* TANK COMES FULLY ASSEMBLED FROM FACTORY
 * PVC FITTINGS ARE CSA CERTIFIED



SECTION-JOINT DETAIL



FRP
 MANUFACTURING (2010) INC.
 www.frpmtg.com
 1-866-722-6246

**SB1000 FIBREGLASS
 SYPHON SEWAGE TANK**

Overall Diameter:	2,210mm (87")	Overall Weight:	182kg (400lbs)	Overall Capacity:	5,655L (1,244 Imp Gal, 1,493 US Gal)
DATE: 05-25-2007	DATE:	DWG SCALE:		Septic Chamber:	4320L (950 Imp Gal, 1,140 US Gal)
BY: MARK SOLLID	APPROVAL:	REV: A		Effluent Chamber:	841L (185 Imp Gal, 222 US Gal)
				Flush:	727L (160 Imp Gal, 192 US Gal)