

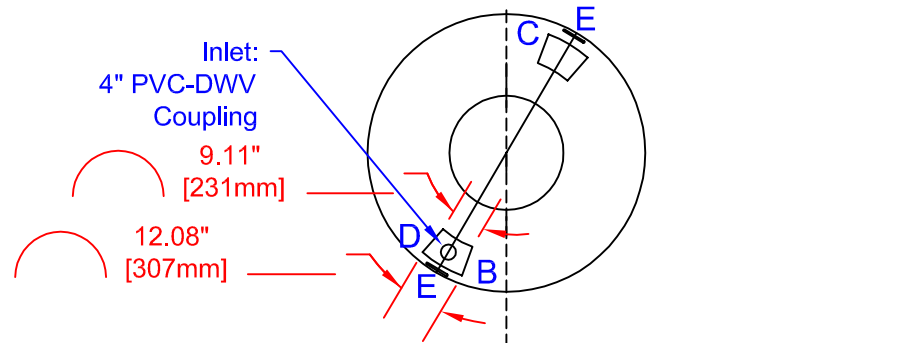
LABEL LOCATIONS

ITEM	QTY	DESCRIPTION	ITEM	QTY	DESCRIPTION
A	1	NAME PLATE	B	1	INLET
C	1	OUTLET	D	1	DANGER GAS
E	2	LIFTING HANDLE			

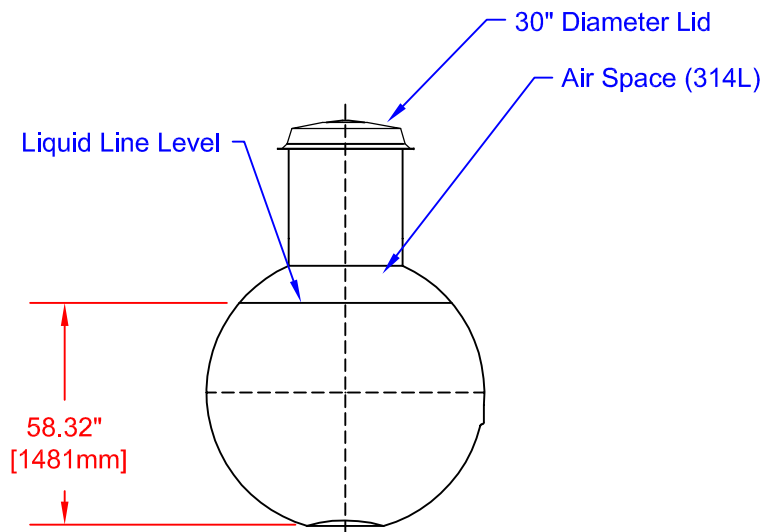
* TANK COMES FULLY ASSEMBLED FROM FACTORY *

* PVC FITTINGS ARE CSA CERTIFIED

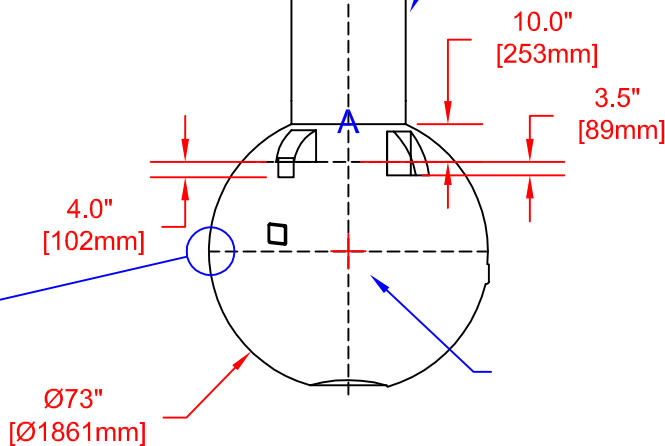
LAMINATE DETAIL



Manway: 762mm (30") x 914mm (36") height



SECTION-JOINT DETAIL



FRP
 MANUFACTURING (2010) INC.

HB750 FIBREGLASS
 SEWAGE HOLDING TANK

Overall Diameter:	1,854mm (73")	Overall Weight:	136 kg (300 lbs)		
DATE:	12-19-2007	DATE:		DWG SCALE:	Overall Capacity: 3,337L (734 Imp Gal, 881 US Gal)
BY:	MARK SOLLID	APPROVAL:		REV:	A
					Holding Capacity: 2987L (657 Imp Gal, 788 US Gal)