

4

3

2

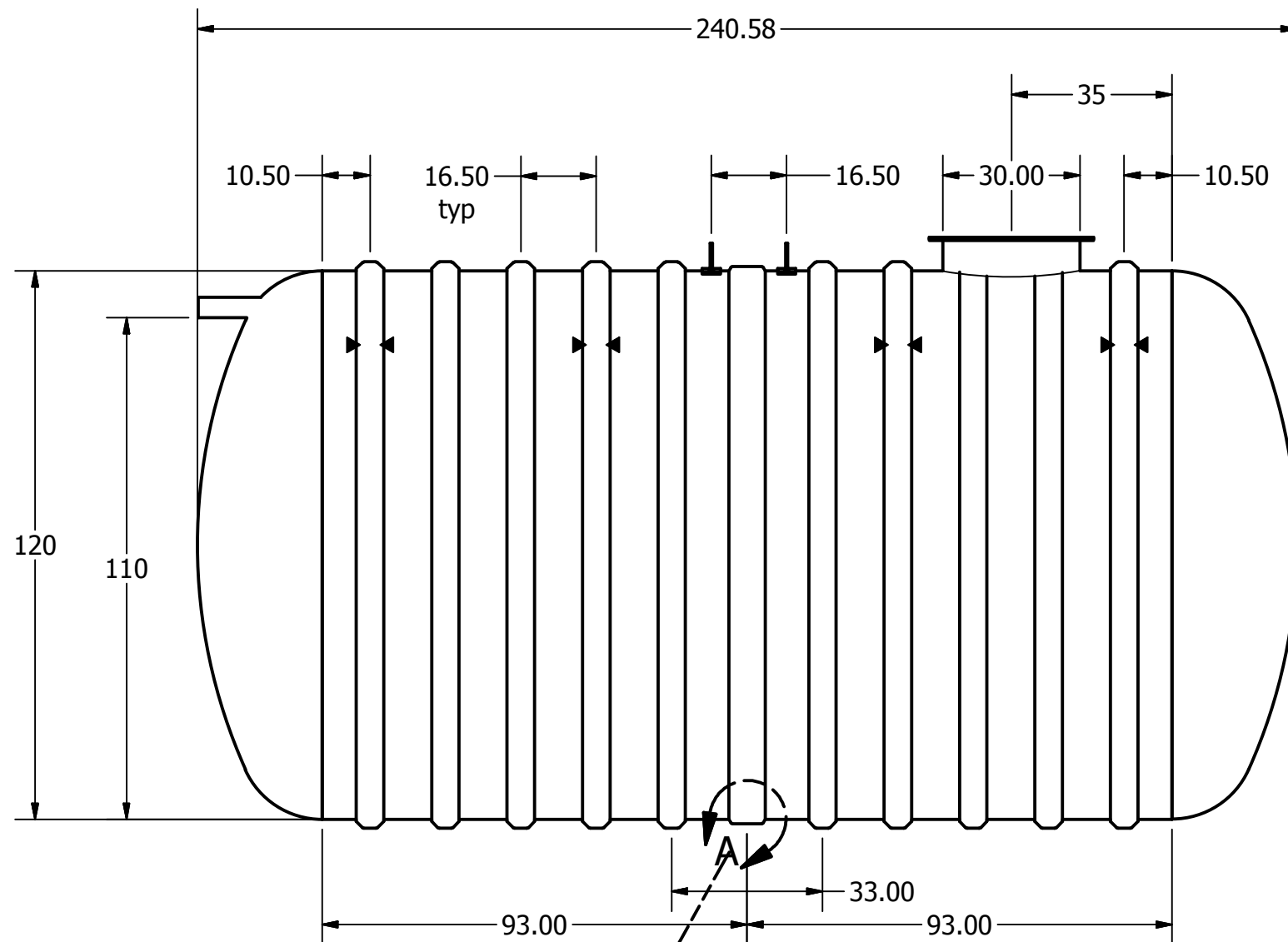
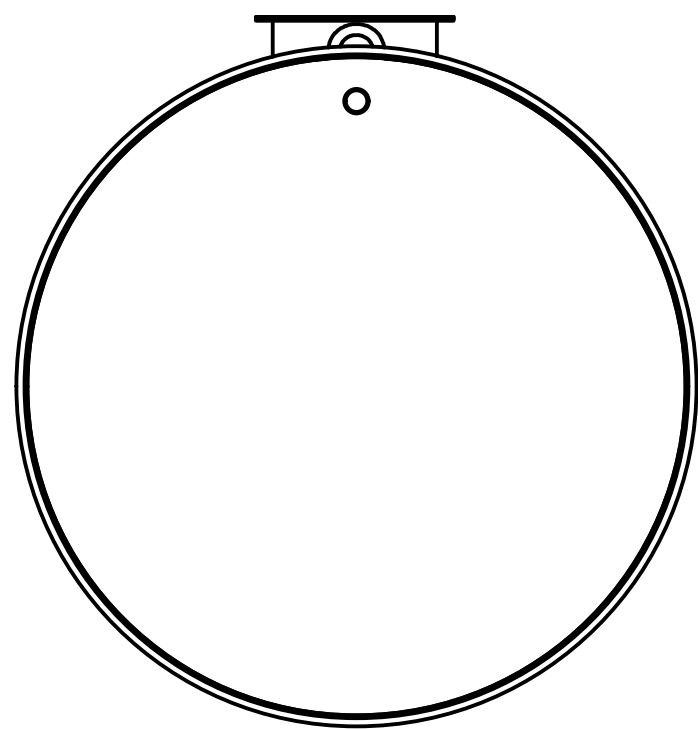
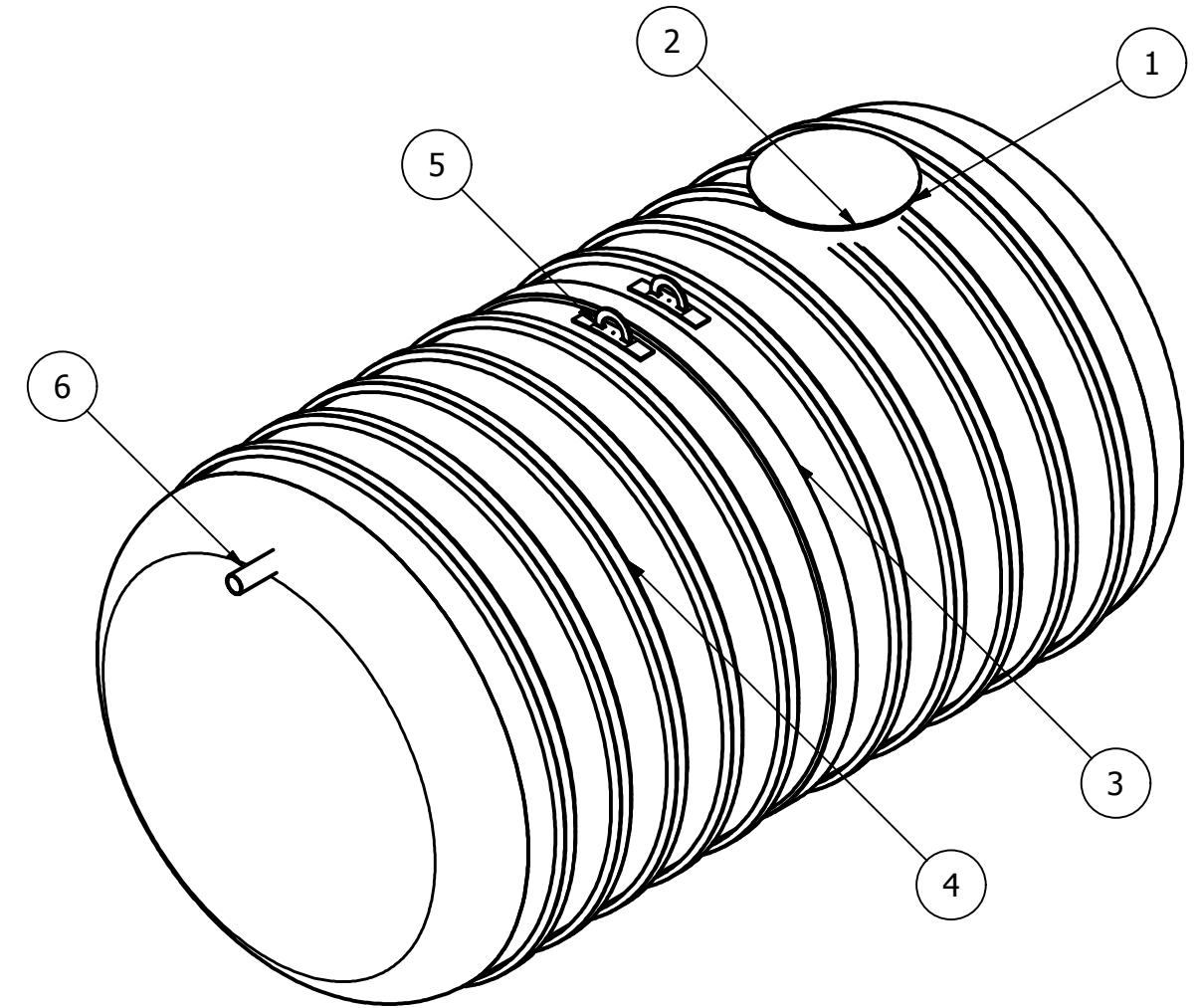
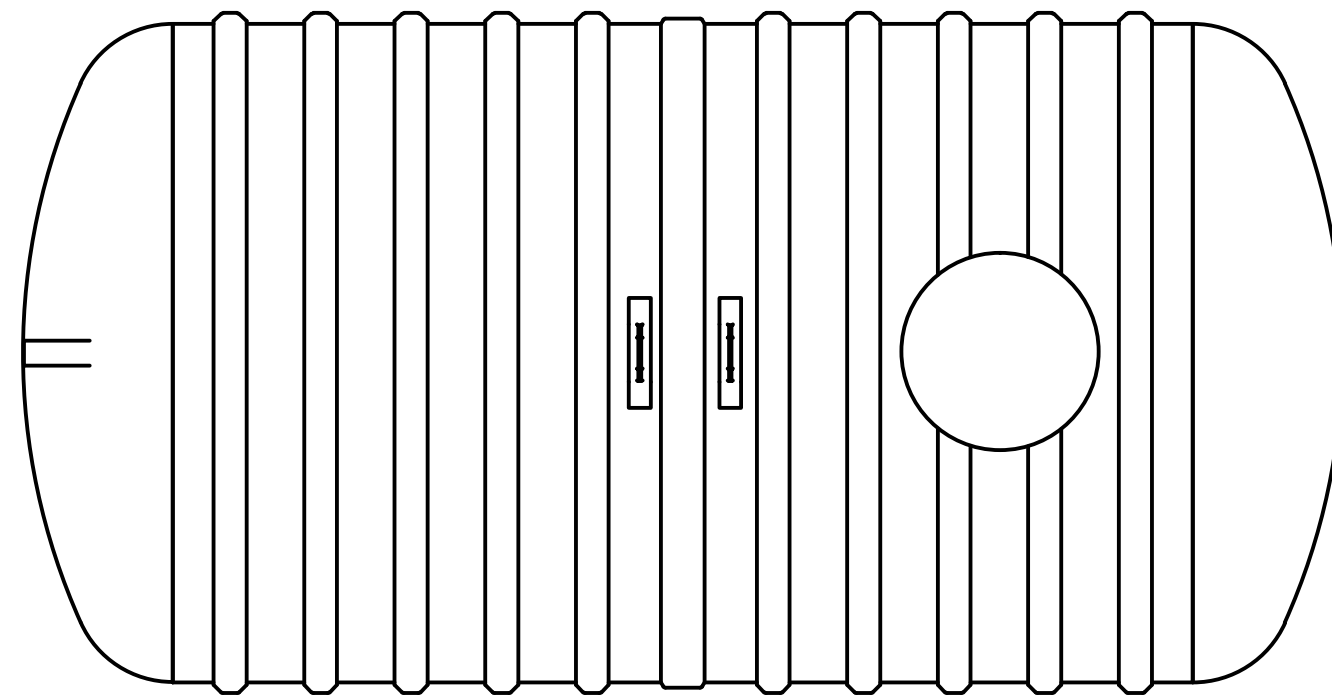
1

REVISION HISTORY

REV	DESCRIPTION	DATE	APPROVED
1	RIB SPACING	11/15/2010	JMC
2	DRAWING REVISION	2/12/2014	MPS

PARTS LIST

ITEM	QTY	PART NUMBER	DESCRIPTION
1	1	C-COLLAR-30IN	30"D COLLAR
2	1	C-LID-30IN	30"D STANDARD LID
3	1	C-SEAM-10FT	SEAM
4	10	C-RIB	STRUCTURAL RIB
5	2	LIFT LUG-PLATE	LIFT LUG
6	1	CONNECTION-4IN-STUB PIPE	4"D STUB PIPE-INLET



6mm x 200mm min. FRP bond on Outside

SECTIONAL JOINT DETAIL A  
SCALE 1/25

Anchor Location

Item	(")	C	Item	(")
Cylinder Thickness	0.425"		Liquid Depth (holding tank)	110"
End Cap Thickness	1.03"		Septic Chamber Depth	N/A
Inlet Height (C.L.)	112"		Effluent Chamber Depth	N/A
Outlet Height (C.L.)	N/A		Chamber Wall Dimensions	N/A
Inlet Diameter	4"		Height:	N/A
Outlet Diameter	N/A		Thickness:	N/A
Rib Dimension (C to C)	16.5"		Opening Diameter:	N/A

DRAWN marks 3/11/2014  
CHECKED

MFG

APPROVED

WEIGHT 2,019 kg (4,450 lbs)  
WORKING CAPACITY 39,480L (8,684 IG, 10,420 USG)  
OVERALL CAPACITY 40,914L (9,000 IG, 10,800 USG)

LENGTH 20' 1"

TITLE  
**BX9000S DEEP BURIAL UNDERGROUND FIBREGLASS SEWAGE HOLDING TANK**



SIZE C

SCALE

DWG NO

BX9000S-DB-02

REV 2

10' Burial Depth

SHEET 1 OF 1

4

3

2

1