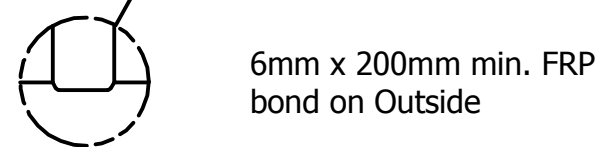
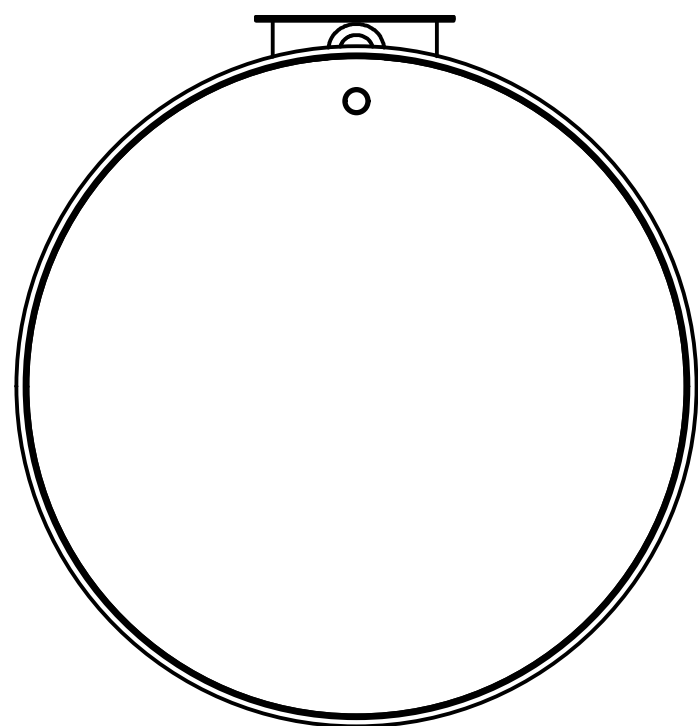
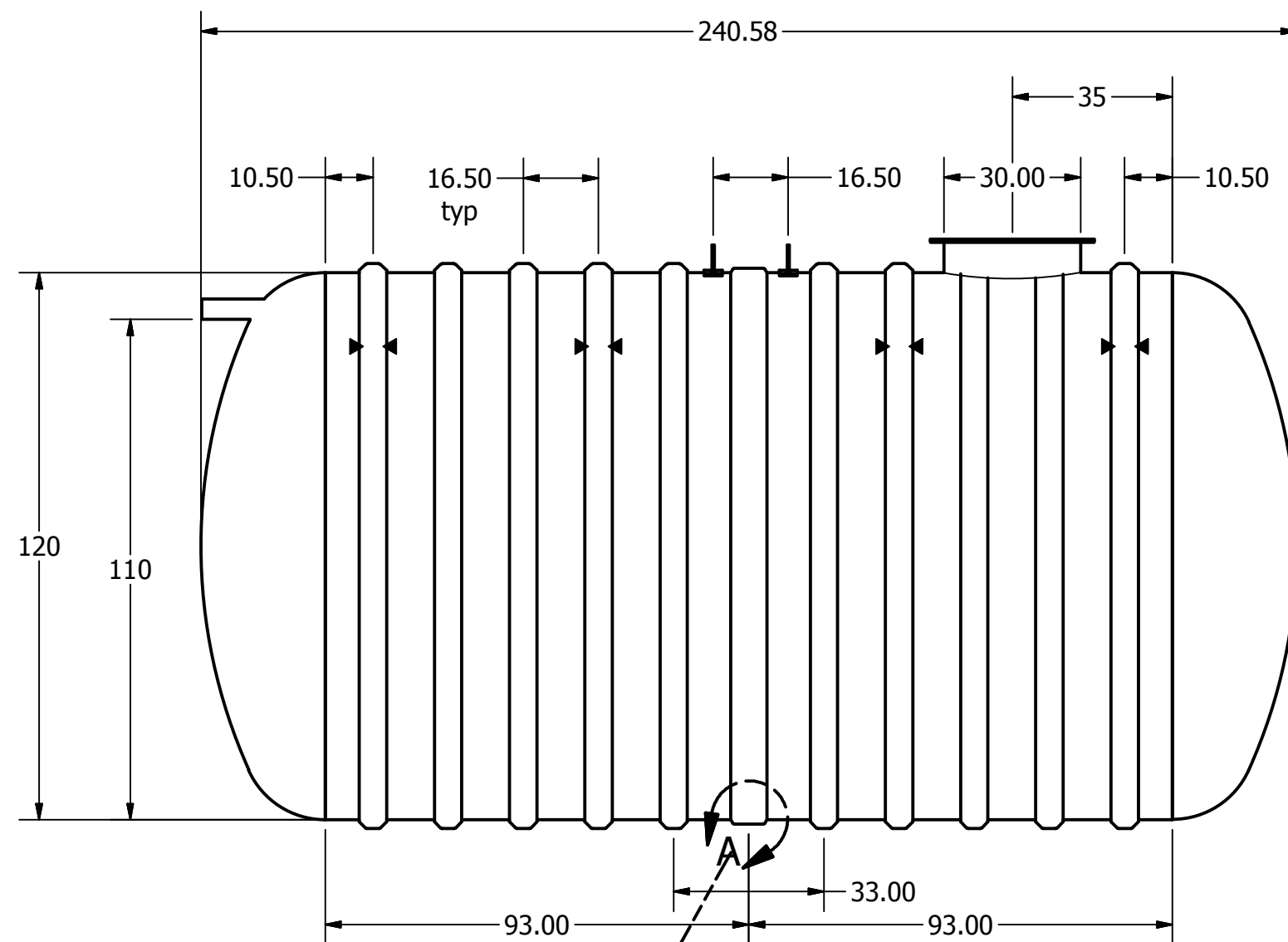
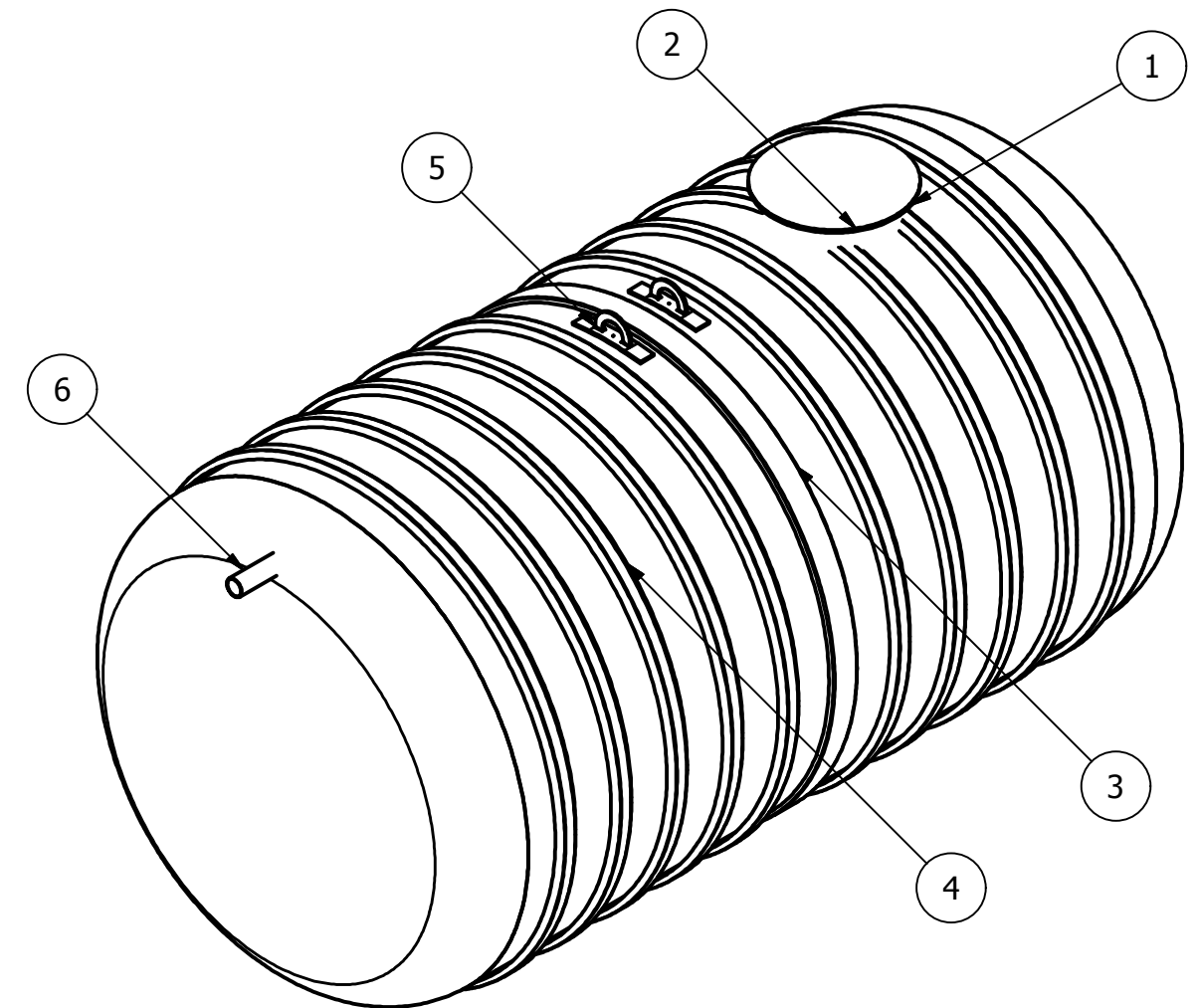
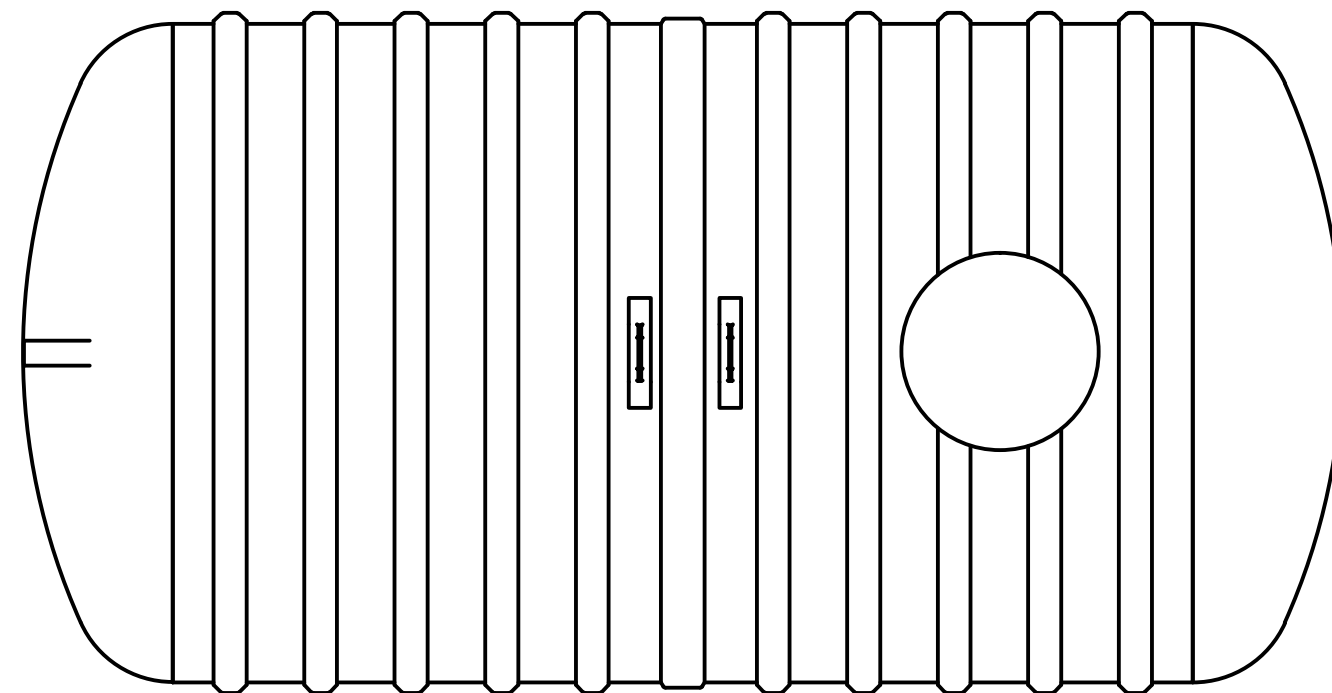


REVISION HISTORY			
REV	DESCRIPTION	DATE	APPROVED
1	RIB SPACING	11/15/2010	JMC
2	DRAWING REVISION	2/12/2014	MPS

PARTS LIST			
ITEM	QTY	PART NUMBER	DESCRIPTION
1	1	C-COLLAR-30IN	30"D COLLAR
2	1	C-LID-30IN	30"D STANDARD LID
3	1	C-SEAM-10FT	SEAM
4	10	C-RIB	STRUCTURAL RIB
5	2	LIFT LUG-PLATE	LIFT LUG
6	1	CONNECTION-4IN-STUB PIPE	4"D STUB PIPE-INLET



SECTIONAL JOINT DETAIL A  
SCALE 1/25

Anchor Location

Item	(")	C	Item	(")
Cylinder Thickness	0.400"		Liquid Depth (holding tank)	110"
End Cap Thickness	0.94"		Septic Chamber Depth	N/A
Inlet Height (C.L.)	112"		Effluent Chamber Depth	N/A
Outlet Height (C.L.)	N/A		Chamber Wall Dimensions	N/A
Inlet Diameter	4"		Height:	N/A
Outlet Diameter	N/A		Thickness:	N/A
Rib Dimension (C to C)	16.5"		Opening Diameter:	N/A

DRAWN MPS	3/11/2014	TITLE BX9000S UNDERGROUND FIBREGLASS SEWAGE HOLDING TANK	
CHECKED			
MFG			
APPROVED		SIZE C	DWG NO BX9000S-02
WEIGHT 1,837 kg (4,050 lbs)	LENGTH 20' 1"	SCALE	REV 2
WORKING CAPACITY 39,480L (8,684 IG, 10,420 USG)			
OVERALL CAPACITY 40,914L (9,000 IG, 10,800 USG)			
			7' Burial Depth
			SHEET 1 OF 1