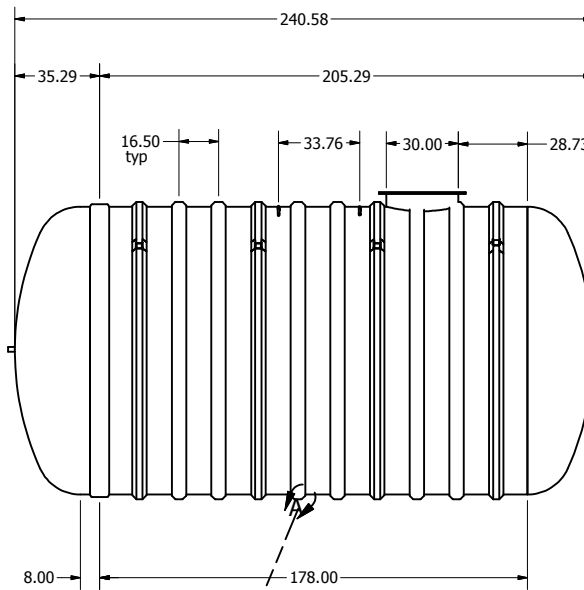
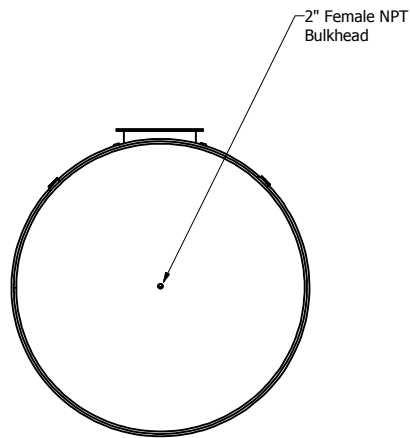
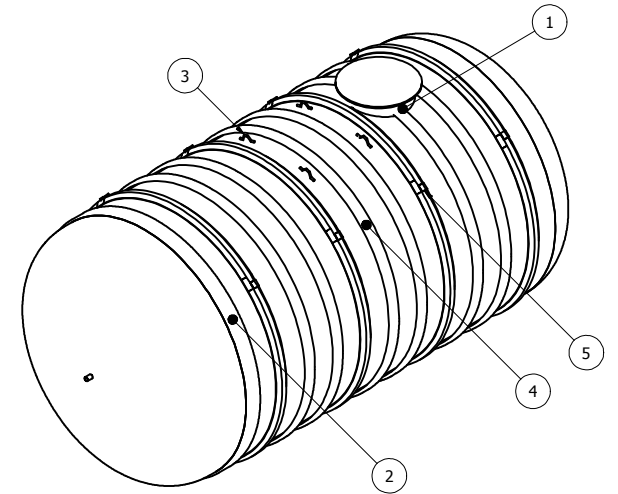
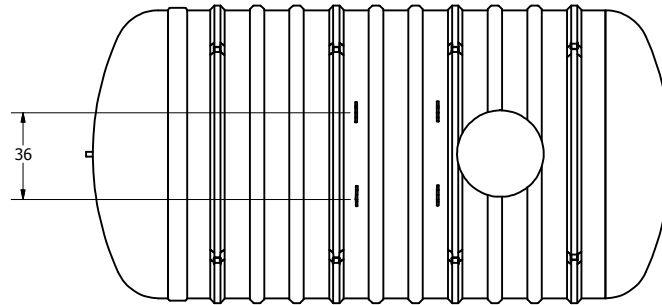


| Parts List | | | |
|------------|-----|---------------|----------------------------------|
| ITEM | QTY | PART NUMBER | DESCRIPTION |
| 1 | 1 | C-COLLAR-30IN | 30"D COLLAR |
| 2 | 1 | C-SEAM-10FT | SEAM |
| 3 | 4 | LIFT-LUG-8-10 | LIFT LUG |
| 4 | 6 | C-RIB | STRUCTURAL RIB |
| 5 | 4 | C-RIB-GUIDE | STRUCTURAL RIB WITH ANCHOR GUIDE |



6mm x 200mm min. FRP bond on Outside

SECTIONAL JOINT DETAIL A
SCALE 1/25

| OPTIONAL | PARTS |
|-------------------|---------------------|
| 30"X12" EXTENSION | ANCHORS |
| 30"X30" EXTENSION | FOAM INSULATION |
| 30"X60" EXTENSION | LOCK BAR |
| 30"X84" EXTENSION | OPTIONAL FITTING(S) |
| ALARM | PUMP STAND |

| | | |
|------------------|--------------------------------|-----------|
| DRAWN | MPS | 2/27/2008 |
| CHECKED | | |
| QA | | |
| MFG | | |
| DCL | | |
| APPROVED | | |
| DCL | | |
| WEIGHT | 1,364 kg (3,000 lbs) | LENGTH |
| OVERALL CAPACITY | 40,914L (9,000 IG, 10,800 USG) | 20' 1" |

| | | | |
|---------------------------------------------------------------------------------------|--|---------------------------------------------------------------------------------------|-------------------|
| TITLE | | BX9000W UNDERGROUND FIBREGLASS WATER CISTERN | |
|  | |  | |
| Drinking Water NSF/ANSI 61 | | SIZE C | DWG NO BX9000W |
| SCALE | | | REV 1 |
| | | SHEET 1 OF 1 | |