

4

3

2

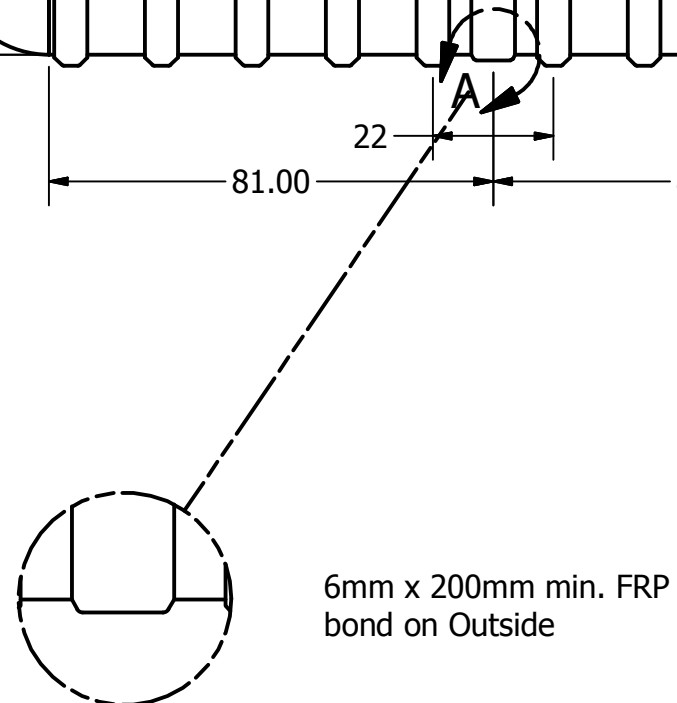
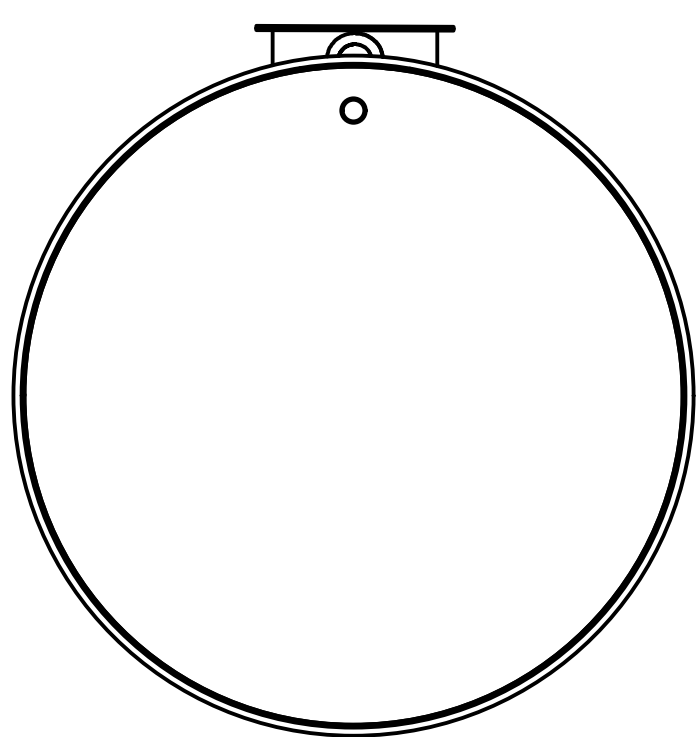
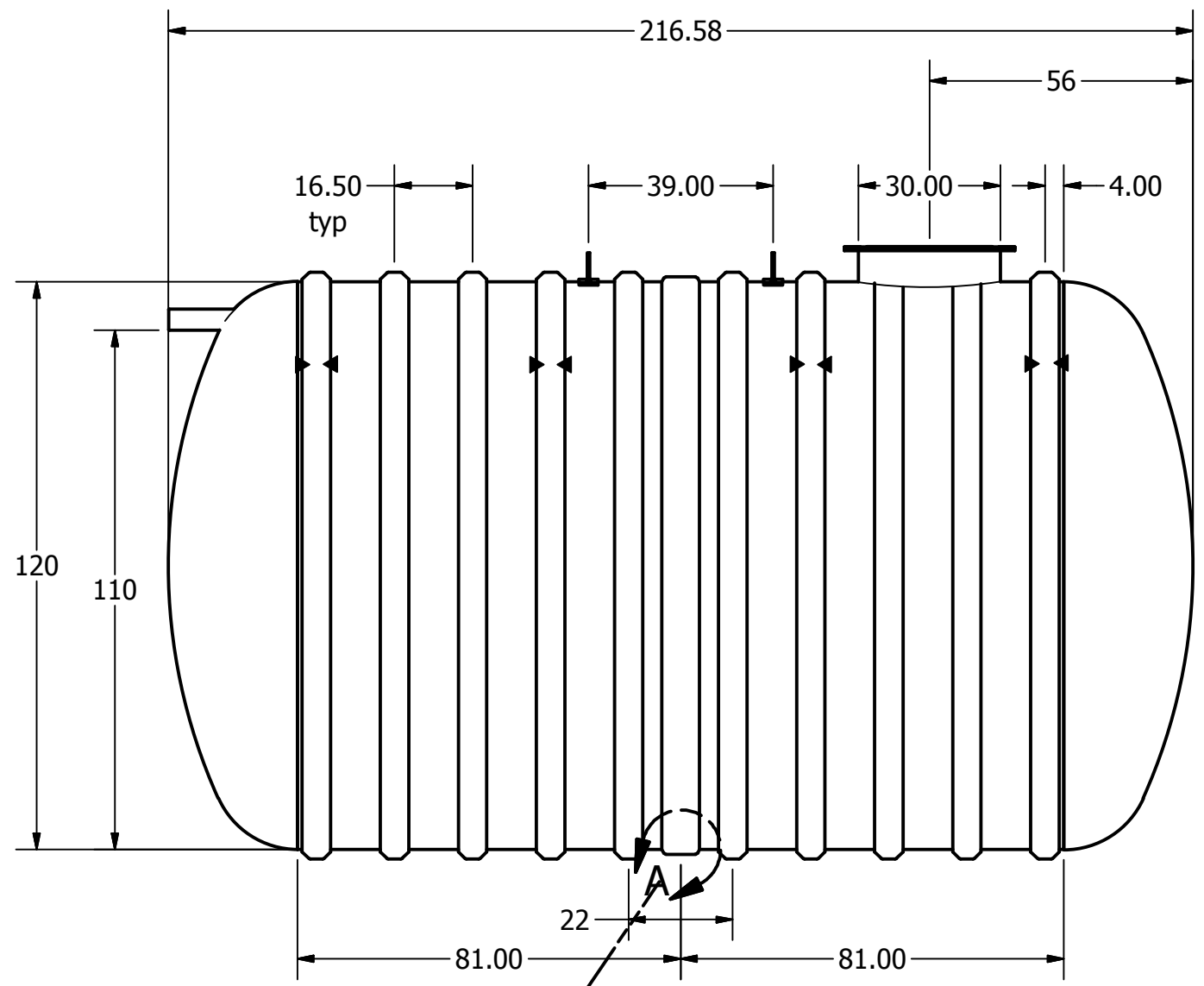
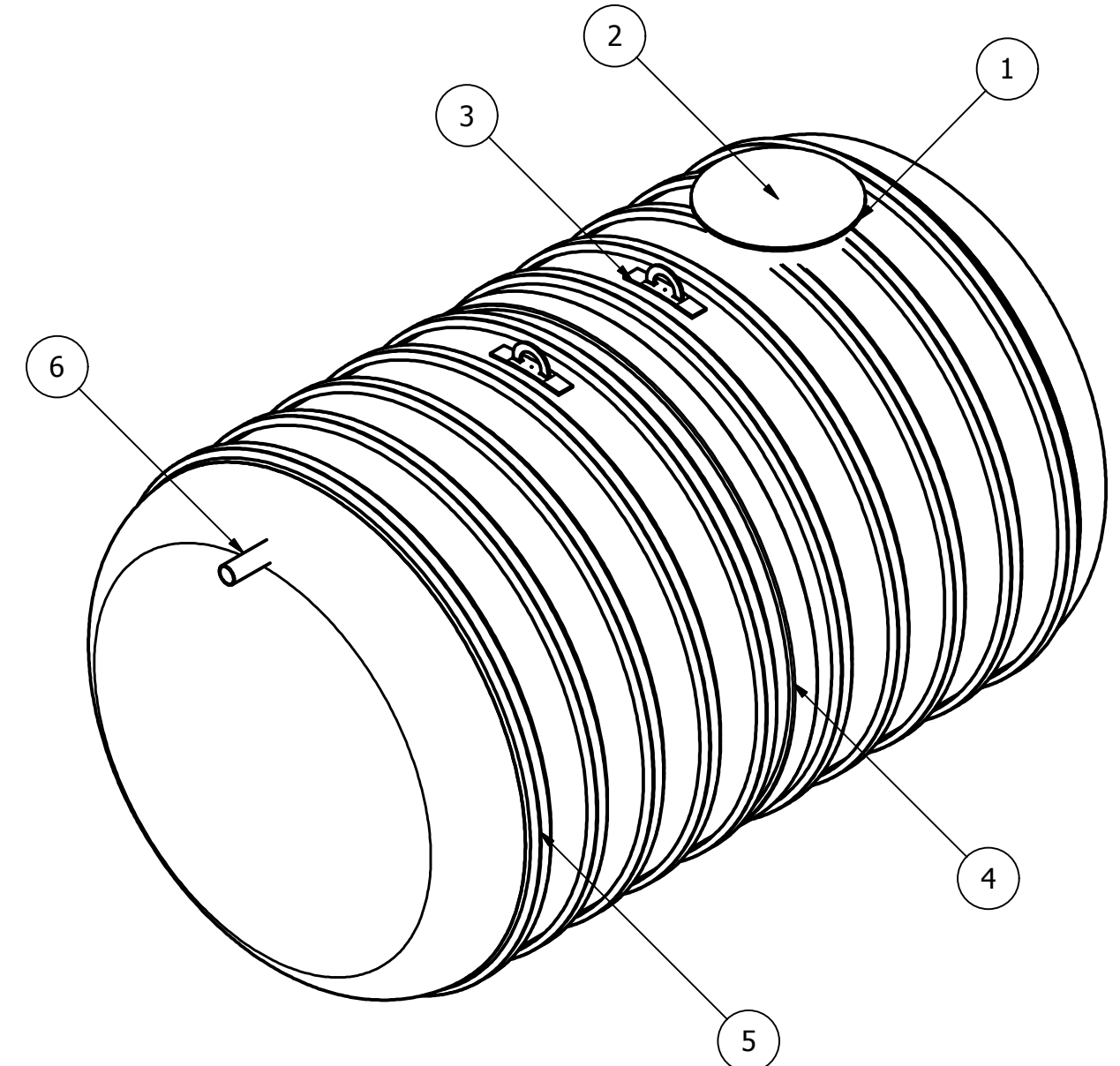
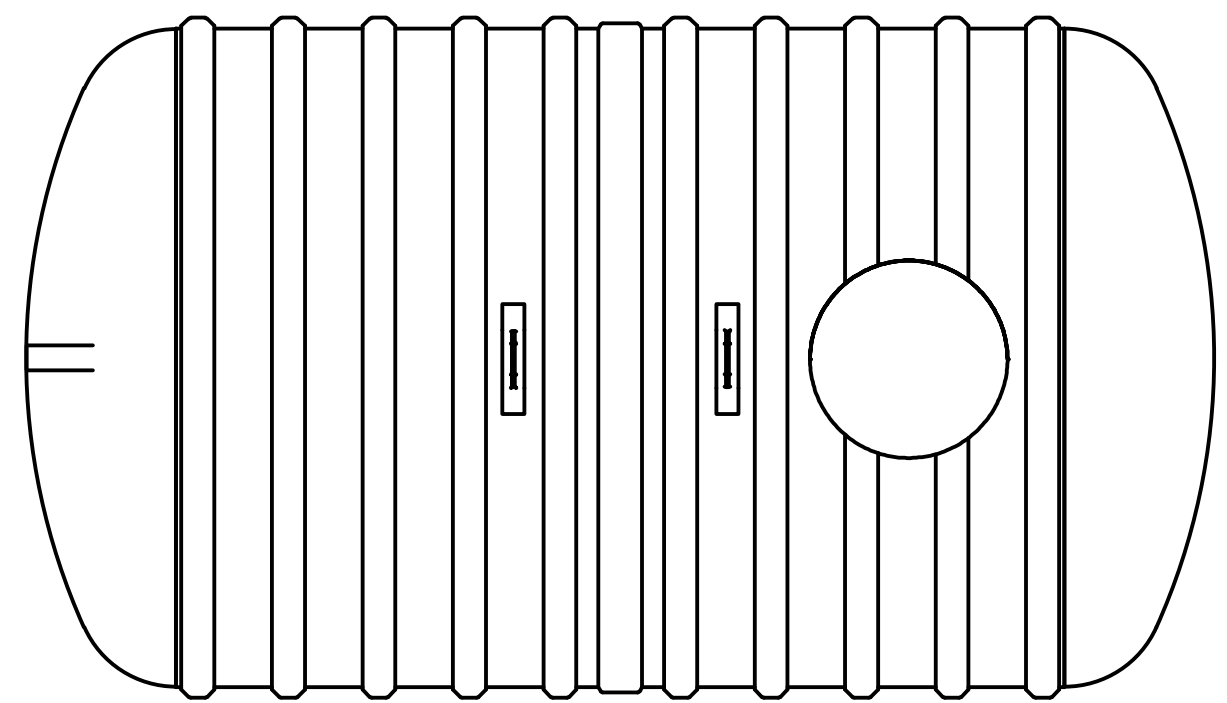
1

REVISION HISTORY

REV	DESCRIPTION	DATE	APPROVED
1	RIB SPACING	10/30/2010	JMC
2	DRAWING REVISION	2/9/2014	MPS

PARTS LIST



ITEM	QTY	PART NUMBER	DESCRIPTION
1	1	C-COLLAR-30IN	30"D COLLAR
2	1	C-LID-30IN-STD	30"D STANDARD LID
3	2	LIFT LUG-PLATE	LIFT LUG
4	1	C-SEAM-10FT	SEAM
5	10	C-RIB-NEW	STRUCTURAL RIB
6	1	CONNECTION-4IN-STUB PIPE	4"D STUB PIPE-INLET



SECTIONAL JOINT DETAIL A  
SCALE 1/15

Anchor Location

Item	(")	C	Item	(")
Cylinder Thickness	0.425"		Liquid Depth (holding tank)	110"
End Cap Thickness	1.03"		Septic Chamber Depth	N/A
Inlet Height (C.L.)	112"		Effluent Chamber Depth	N/A
Outlet Height (C.L.)	N/A		Chamber Wall Dimensions	N/A
Inlet Diameter	4"		Height:	N/A
Outlet Diameter	N/A		Thickness:	N/A
Rib Dimension (C to C)	16.5"		Opening Diameter:	N/A

DRAWN Blaine	2/9/2014	TITLE BX8000S DEEP BURIAL FIBREGLASS SEWAGE HOLDING TANK	
CHECKED		 	
MFG		SIZE C	DWG NO BX8000S-DB-02
APPROVED		SCALE	REV 2
WEIGHT 1,928 kg (4,250 lbs)	LENGTH 18' 1"	10' Burial Depth	
WORKING CAPACITY 35,220L (7,747 IG, 9,296 USG)		SHEET 1 OF 1	
OVERALL CAPACITY 36,504L (8,030 IG, 9,636 USG)			

4

3

2

1