

4

3

2

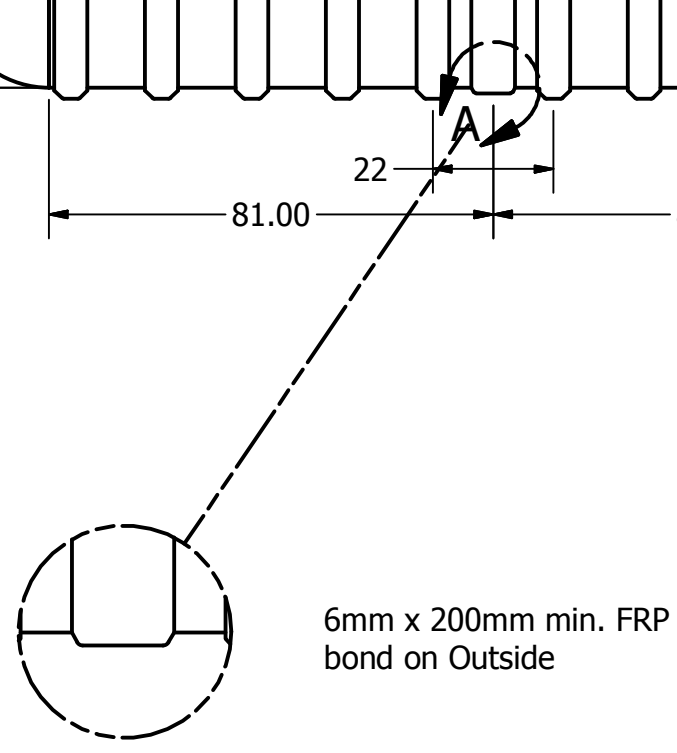
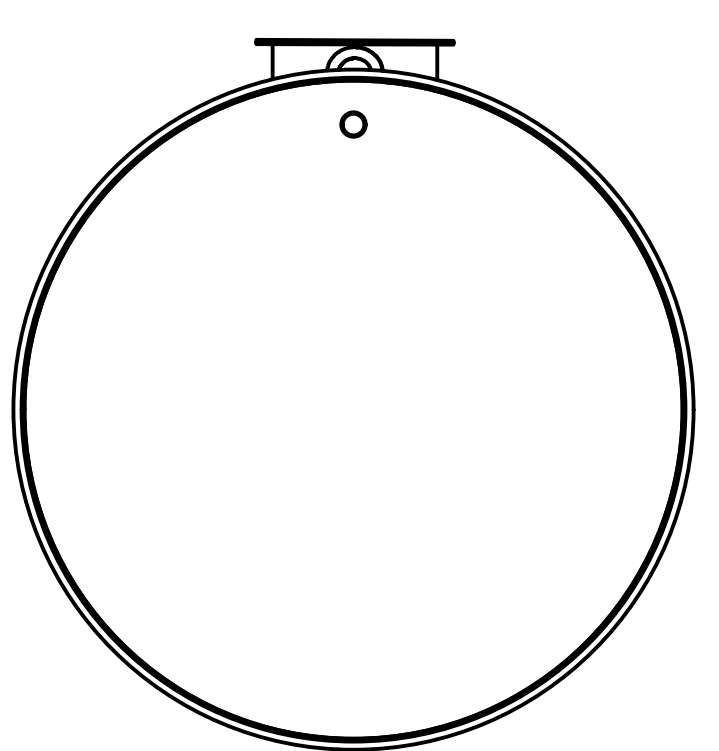
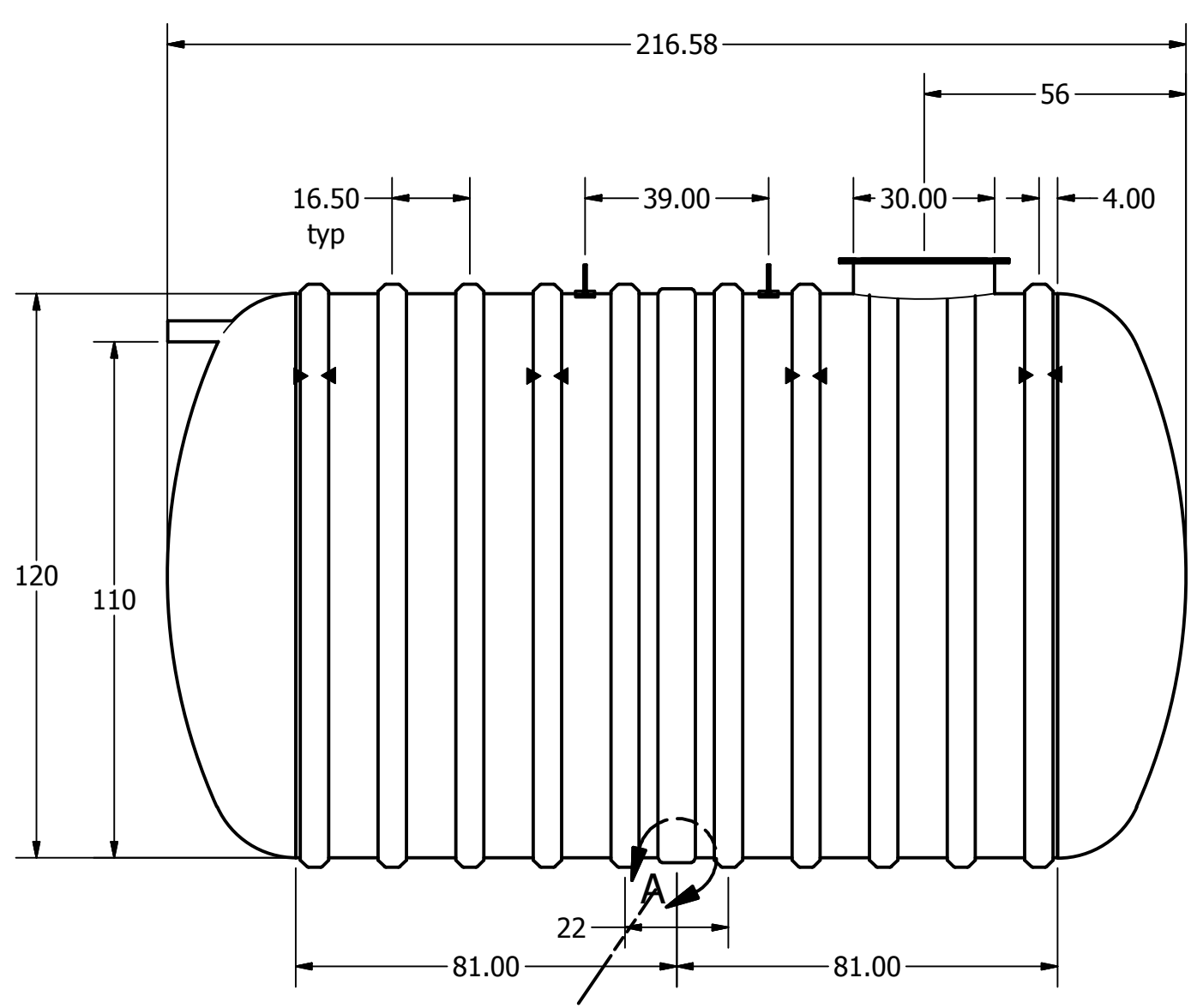
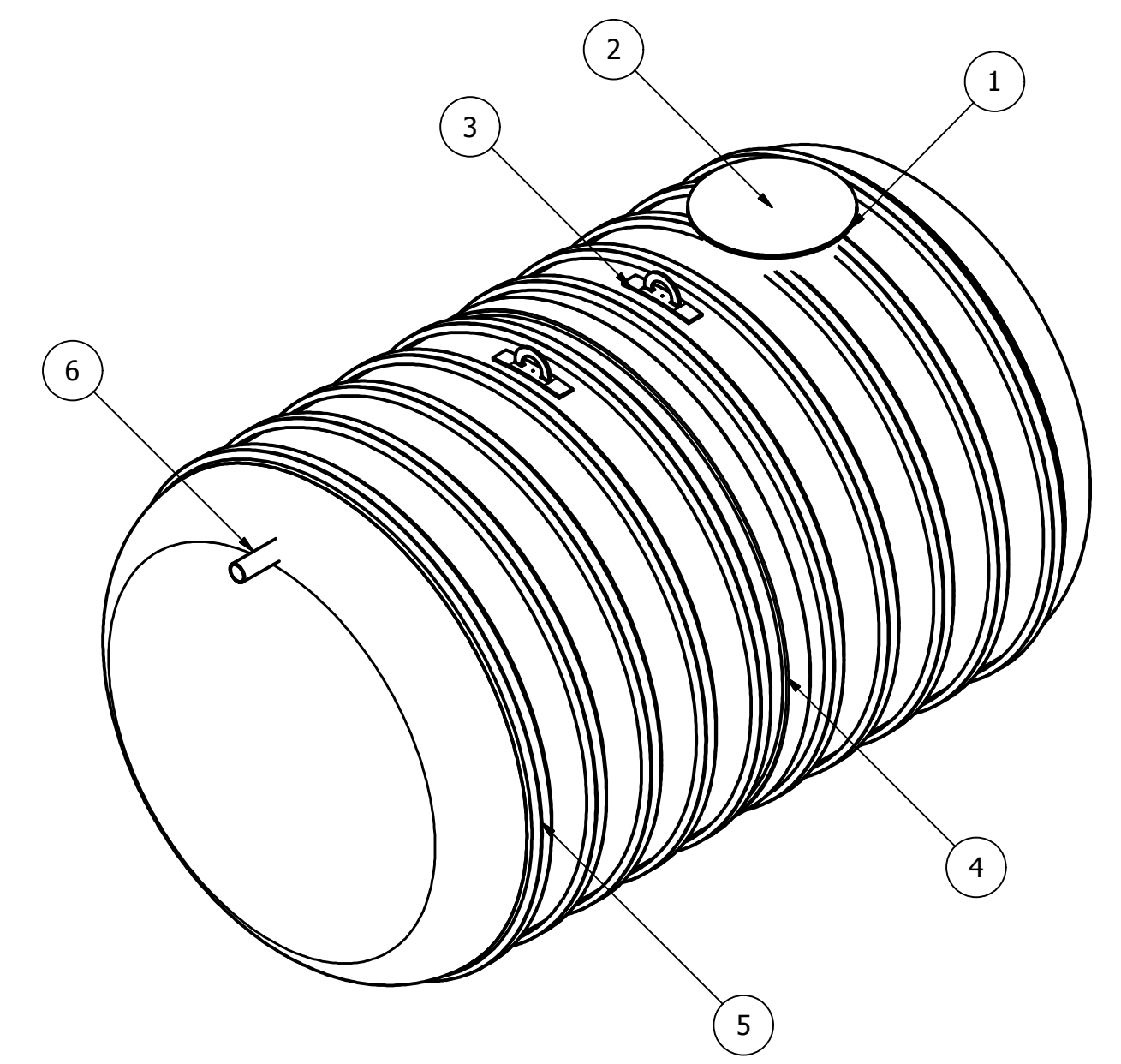
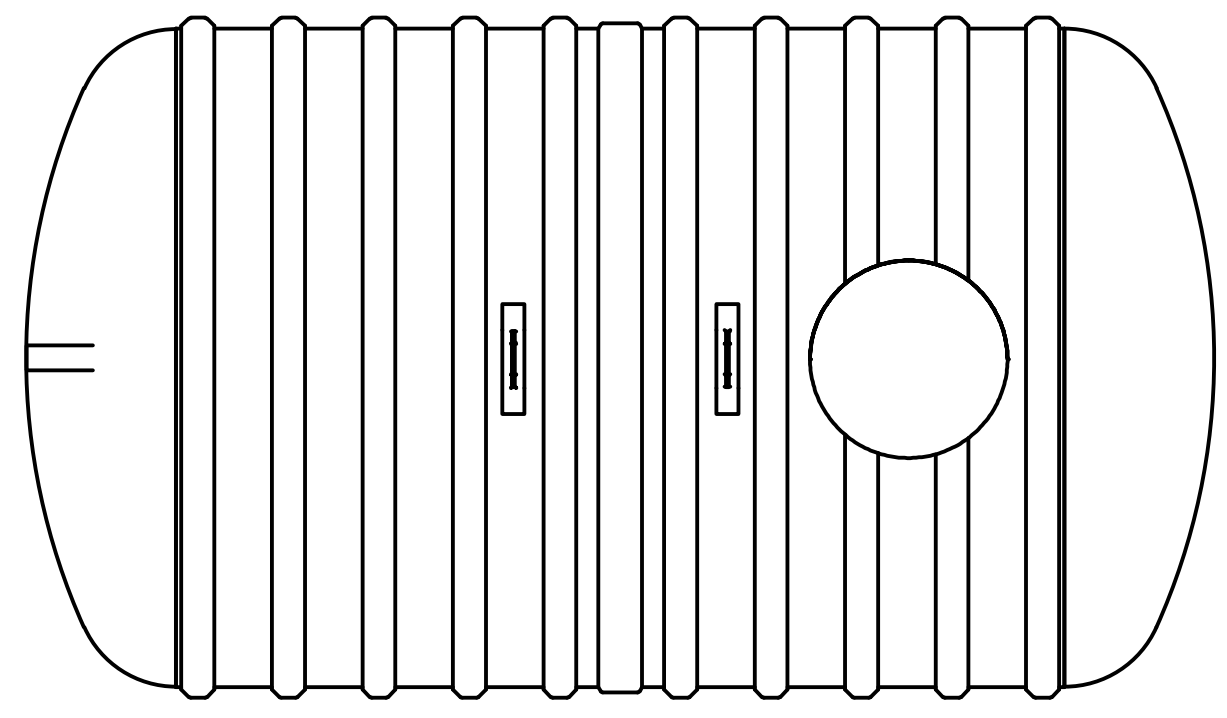
1

REVISION HISTORY

| REV | DESCRIPTION | DATE | APPROVED |
|-----|------------------|------------|----------|
| 1 | RIB SPACING | 10/30/2010 | JMC |
| 2 | DRAWING REVISION | 2/9/2014 | MPS |

PARTS LIST

| ITEM | QTY | PART NUMBER | DESCRIPTION |
|------|-----|--------------------------|---------------------|
| 1 | 1 | C-COLLAR-30IN | 30"D COLLAR |
| 2 | 1 | C-LID-30IN-STD | 30"D STANDARD LID |
| 3 | 2 | LIFT LUG-PLATE | LIFT LUG |
| 4 | 1 | C-SEAM-10FT | SEAM |
| 5 | 10 | C-RIB-NEW | STRUCTURAL RIB |
| 6 | 1 | CONNECTION-4IN-STUB PIPE | 4"D STUB PIPE-INLET |



SECTIONAL JOINT DETAIL A
SCALE 1/15

Anchor Location

| Item | (") | C | Item | (") |
|------------------------|--------|---|-----------------------------|------|
| Cylinder Thickness | 0.400" | | Liquid Depth (holding tank) | 110" |
| End Cap Thickness | 0.94" | | Septic Chamber Depth | N/A |
| Inlet Height (C.L.) | 112" | | Effluent Chamber Depth | N/A |
| Outlet Height (C.L.) | N/A | | Chamber Wall Dimensions | N/A |
| Inlet Diameter | 4" | | Height: | N/A |
| Outlet Diameter | N/A | | Thickness: | N/A |
| Rib Dimension (C to C) | 16.5" | | Opening Diameter: | N/A |

| | | | |
|---|------------------|---|----------------------|
| DRAWN Blaine | 2/9/2014 | TITLE BX8000S FIBREGLASS SEWAGE HOLDING TANK | |
| CHECKED | | FRP MANUFACTURING (2010) INC. | |
| MFG | | SIZE C | DWG NO BX8000S-02 |
| APPROVED | | SCALE | REV 2 |
| WEIGHT 1,701 kg (3,750 lbs) | LENGTH 18' 1" | 7' Burial Depth | |
| WORKING CAPACITY 35,220L (7,747 IG, 9,296 USG) | | SHEET 1 OF 1 | |
| OVERALL CAPACITY 36,504L (8,030 IG, 9,636 USG) | | | |