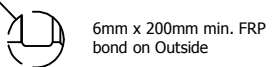
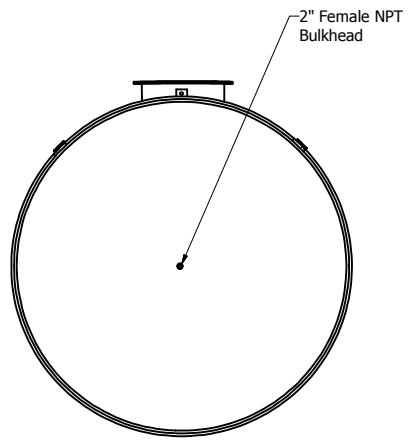
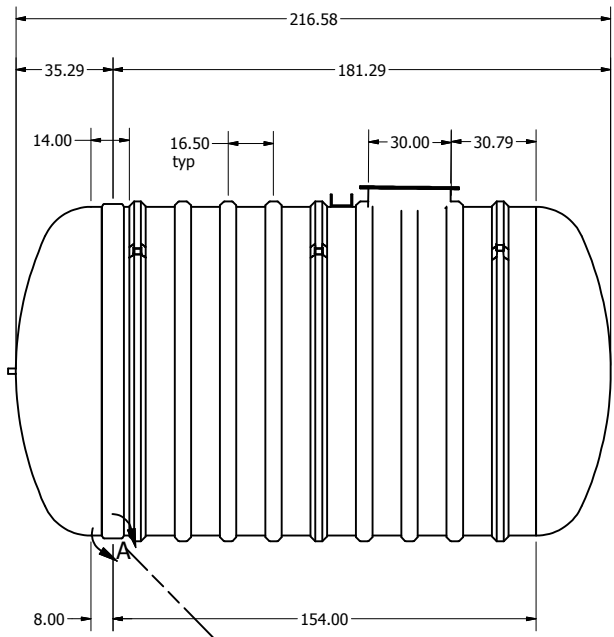
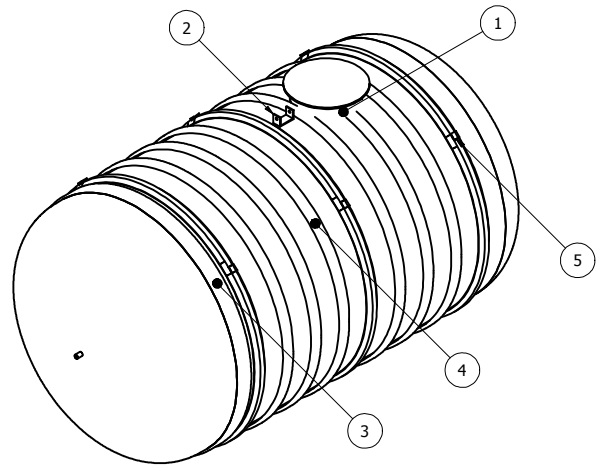
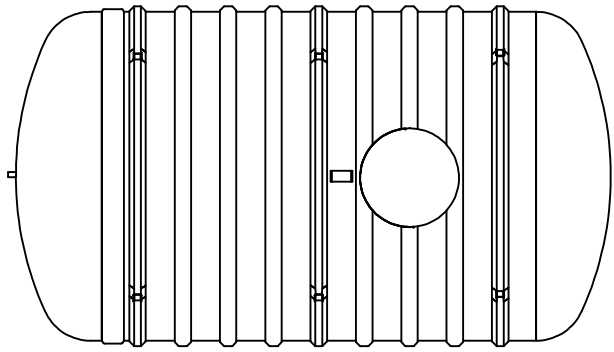


Parts List			
ITEM	QTY	PART NUMBER	DESCRIPTION
1	1	C-COLLAR-30IN	30"D COLLAR
2	1	LIFT-LUG-C	LIFT LUG
3	1	C-SEAM-10FT	SEAM
4	6	C-RIB	STRUCTURAL RIB
5	3	C-RIB-GUIDE	STURUCTURAL RIB WITH ANCHOR GUIDE



SECTIONAL JOINT DETAIL A
SCALE 1/25

OPTIONAL	PARTS
30"X12" EXTENSION	ANCHORS
30"X30" EXTENSION	FOAM INSULATION
30"X60" EXTENSION	LOCK BAR
30"X84" EXTENSION	OPTIONAL FITTING(S)
ALARM	PUMP STAND

DRAWN MPS	2/27/2008	TITLE BX8000W UNDERGROUND FIBREGLASS WATER CISTEN									
CHECKED											
QA											
MFG DCL											
APPROVED DCL											
WEIGHT 1,273 kg (2,800 lbs)	LENGTH 18' 1"										
OVERALL CAPACITY 36,368L (8,000 IG, 9,600 USG)											
		<table border="1"> <tr> <td colspan="2">DRINKING WATER NSF/ANSI 61</td> <td colspan="2">FRP MANUFACTURING (2010) INC.</td> </tr> <tr> <td>SIZE C</td> <td>DWG NO BX8000W</td> <td>REV 1</td> <td></td> </tr> </table>		DRINKING WATER NSF/ANSI 61		FRP MANUFACTURING (2010) INC.		SIZE C	DWG NO BX8000W	REV 1	
DRINKING WATER NSF/ANSI 61		FRP MANUFACTURING (2010) INC.									
SIZE C	DWG NO BX8000W	REV 1									
		SHEET 1 OF 1									