

4

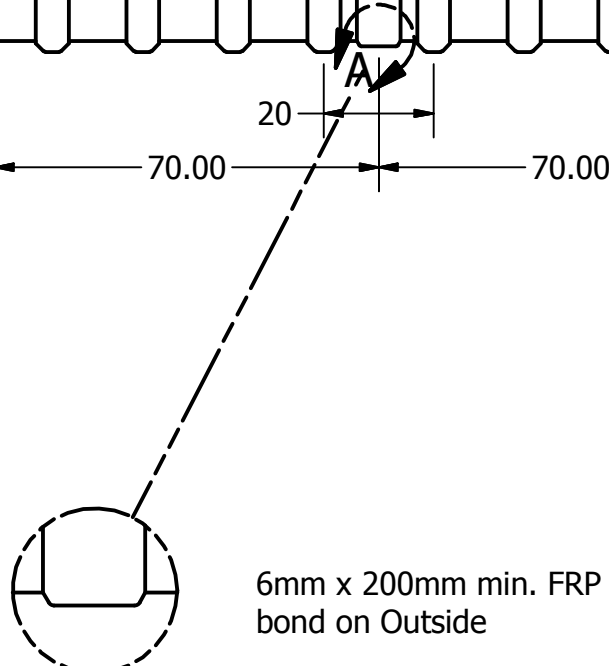
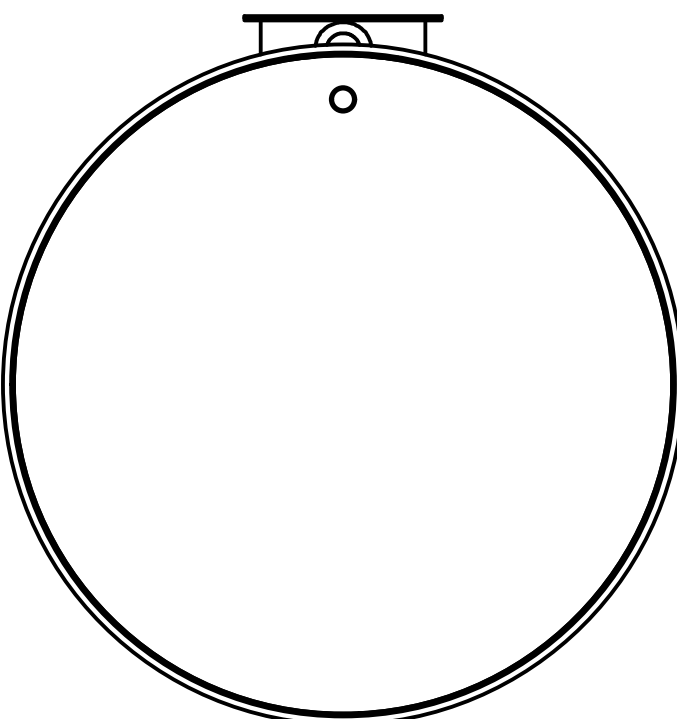
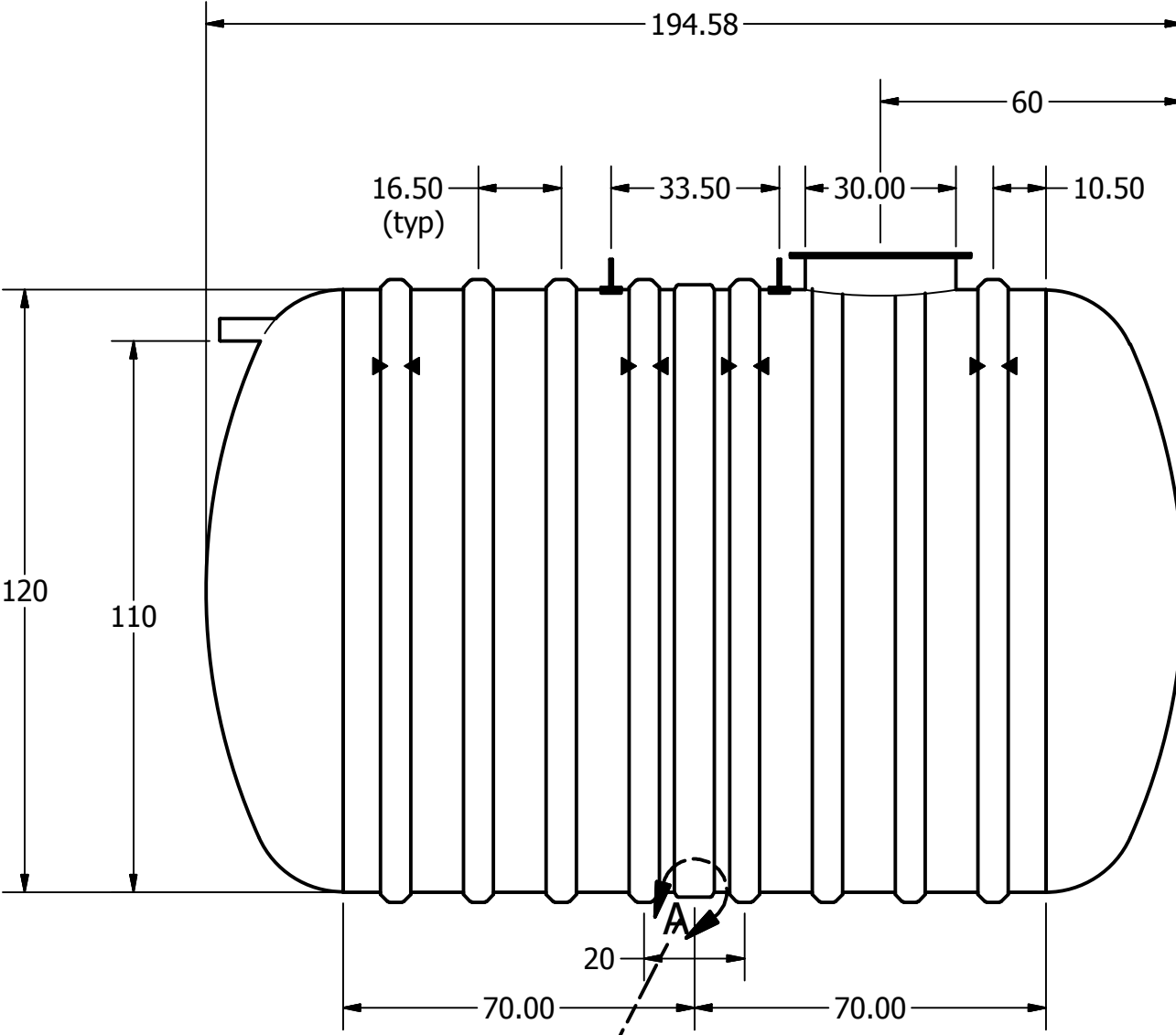
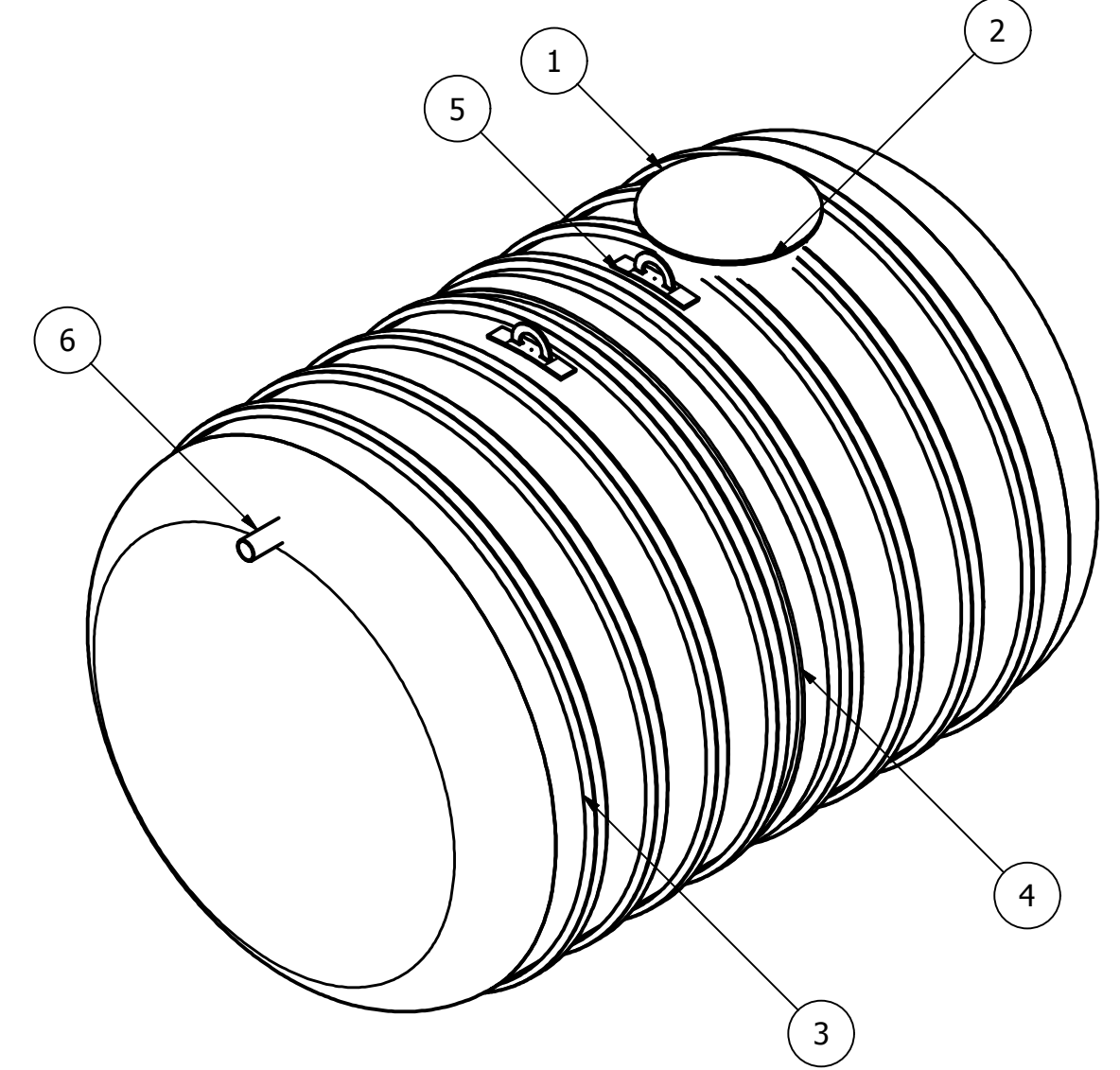
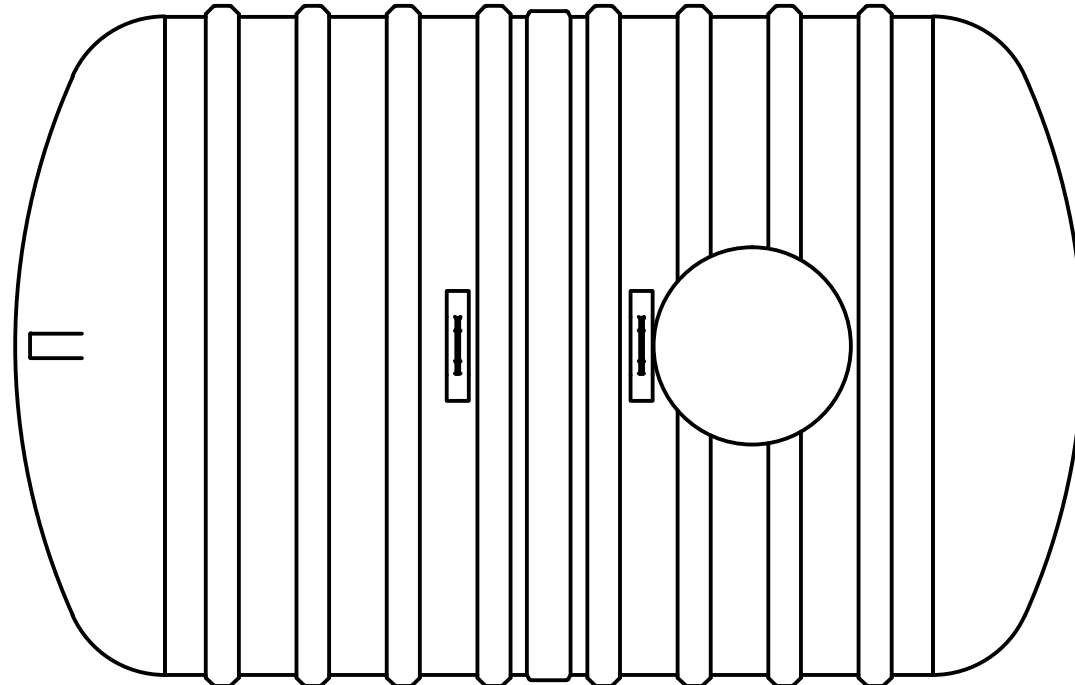
3

2

1

REVISION HISTORY			
REV	DESCRIPTION	DATE	APPROVED
1	RIB SPACING	9/30/2010	JMC
2	DRAWING REVISION	2/9/2014	MPS

PARTS LIST			
ITEM	QTY	PART NUMBER	DESCRIPTION
1	1	C-COLLAR-30IN	30"D COLLAR
2	1	C-LID-30IN-STD	30"D STANDARD LID
3	8	C-RIB	STRUCTURAL RIB
4	1	C-SEAM-10FT	SEAM
5	2	LIFT LUG-PLATE	LIFT LUG
6	1	CONNECTION-4IN-STUB PIPE	4"D STUB PIPE-INLET



SECTIONAL JOINT DETAIL A
SCALE 1/15

Anchor Location

Item	(")	C	Item	(")
Cylinder Thickness	0.400"		Liquid Depth (holding tank)	110"
End Cap Thickness	0.94"		Septic Chamber Depth	N/A
Inlet Height (C.L.)	112"		Effluent Chamber Depth	N/A
Outlet Height (C.L.)	N/A		Chamber Wall Dimensions	N/A
Inlet Diameter	4"		Height:	N/A
Outlet Diameter	N/A		Thickness:	N/A
Rib Dimension (C to C)	16.5"		Opening Diameter:	N/A

DRAWN FRP	2/9/2014	TITLE BX7000S UNDERGROUND FIBERGLASS SEWAGE HOLDING TANK	
CHECKED			
MFG			
APPROVED		SIZE C	DWG NO BX7000S-02
WEIGHT 1,565g (3,450 lbs)	LENGTH 16' 1"	SCALE	REV 2
WORKING CAPACITY 30,930L (6,804 IG, 8,165 USG)			
OVERALL CAPACITY 32,056L (7,051 IG, 8,461 USG)			
			7' Burial Depth
			SHEET 1 OF 1

D

C

B

A

D

C

B

A

4

3

2

1