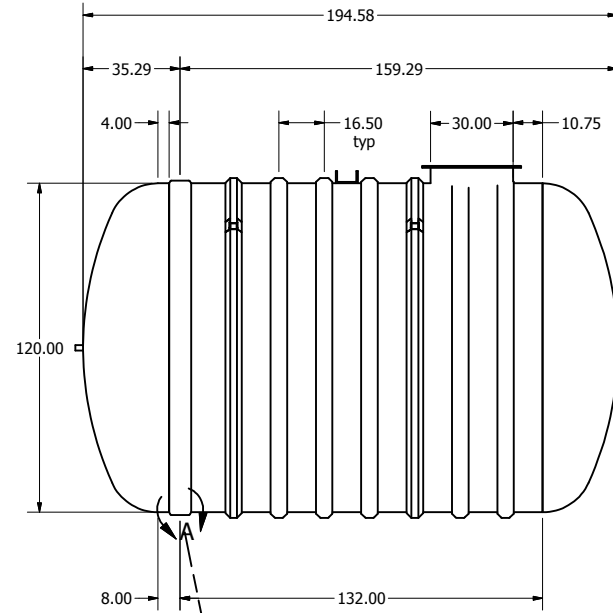
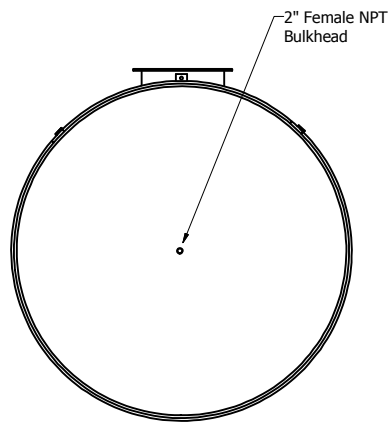
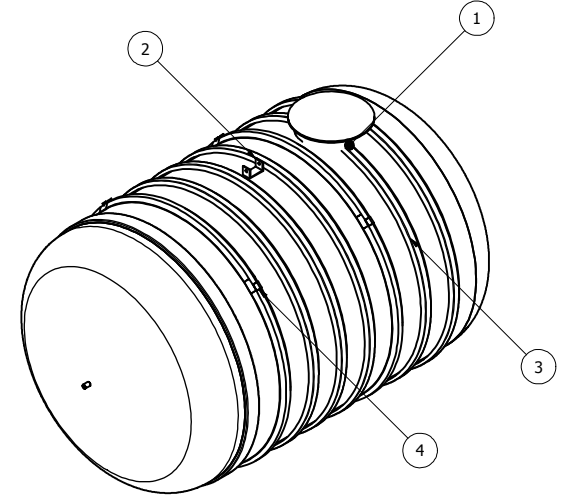
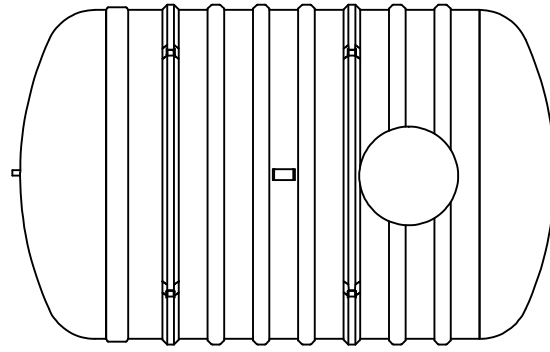


Parts List			
ITEM	QTY	PART NUMBER	DESCRIPTION
1	1	C-COLLAR-30IN	30"D COLLAR
2	1	C-SEAM-10FT	SEAM
3	5	C-RIB	STRUCTURAL RIB
4	2	C-RIB-GUIDE	STURUCTURAL RIB WITH ANCHOR GUIDE



6mm x 200mm min. FRP bond on Outside

SECTIONAL JOINT DETAIL A
SCALE 1/25

OPTIONAL	PARTS
30"X12" EXTENSION	ANCHORS
30"X30" EXTENSION	FOAM INSULATION
30"X60" EXTENSION	LOCK BAR
30"X84" EXTENSION	OPTIONAL FITTINGS(S)
ALARM	PUMP STAND

DRAWN MPS	3/5/2008	TITLE BX7000W UNDERGROUND FIBREGLASS WATER CISTERN	
CHECKED			
QA			
MFG DCL			
APPROVED DCL			
WEIGHT 1,159 kg (2,550 lbs)	LENGTH 16' 1"	SIZE C	DWG NO BX7000W
OVERALL CAPACITY 31,822L (7,000 IG, 8,400 USG)		SCALE	REV 1



FRP
MANUFACTURING (2010) INC.

Drinking Water
NSF/ANSI 61