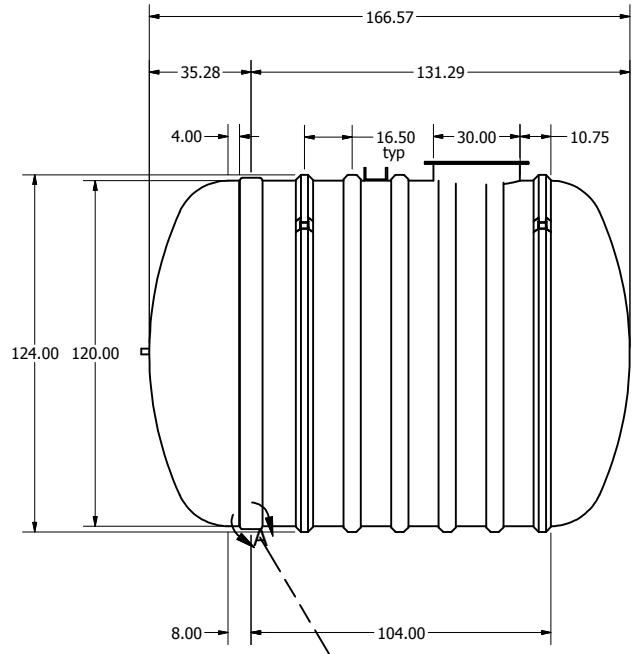
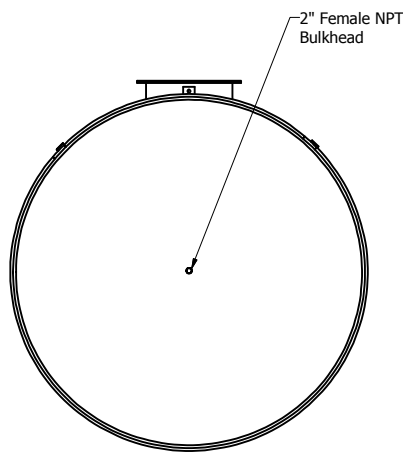
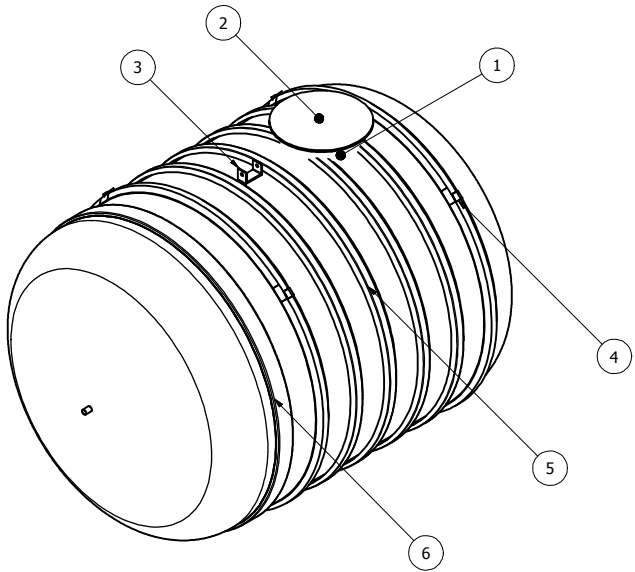
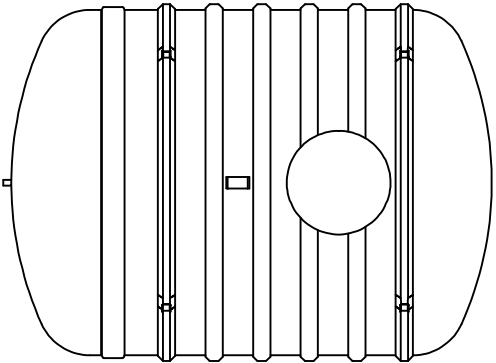


Parts List			
ITEM	QTY	PART NUMBER	DESCRIPTION
1	1	C-COLLAR-30IN	30"D COLLAR
2	1	C-LID-30IN-STD	30"D STANDARD LID
3	1	LIFT-LUG-C	LIFT LUG
4	2	C-RIB-GUIDE	STURCTURAL RIB W/ ANCHOR GUIDE
5	4	C-RIB	STRUCTURAL RIB
6	1	C-SEAM-10FT	SEAM




6mm x 200mm min. FRP bond on Outside

SECTIONAL JOINT DETAIL A
SCALE 1/25

OPTIONAL	PARTS
30"X12" EXTENSION	ANCHORS
30"X30" EXTENSION	FOAM INSULATION
30"X60" EXTENSION	LOCK BAR
30"X84" EXTENSION	OPTIONAL FITTING(S)
ALARM	PUMP STAND

DRAWN	MPS	2/27/2008
CHECKED		
QA		
MFG		
DCL		
APPROVED		
DCL		
WEIGHT	1,045 kg (2,300 lbs)	LENGTH
OVERALL CAPACITY	27,276L (6,000 IG, 7,200 USG)	13' 11"

TITLE		BX6000W UNDERGROUND FIBREGLASS WATER CISTERN	
 Drinking Water <small>NSF/ANSI 61</small>		 FRP MANUFACTURING (2010) INC.	
SIZE	C	DWG NO	BX6000W
SCALE		REV	1
SHEET 1 OF 1			