

4

3

2

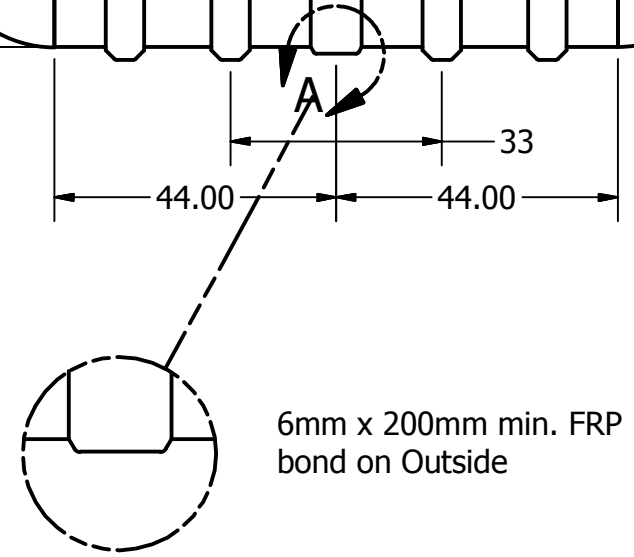
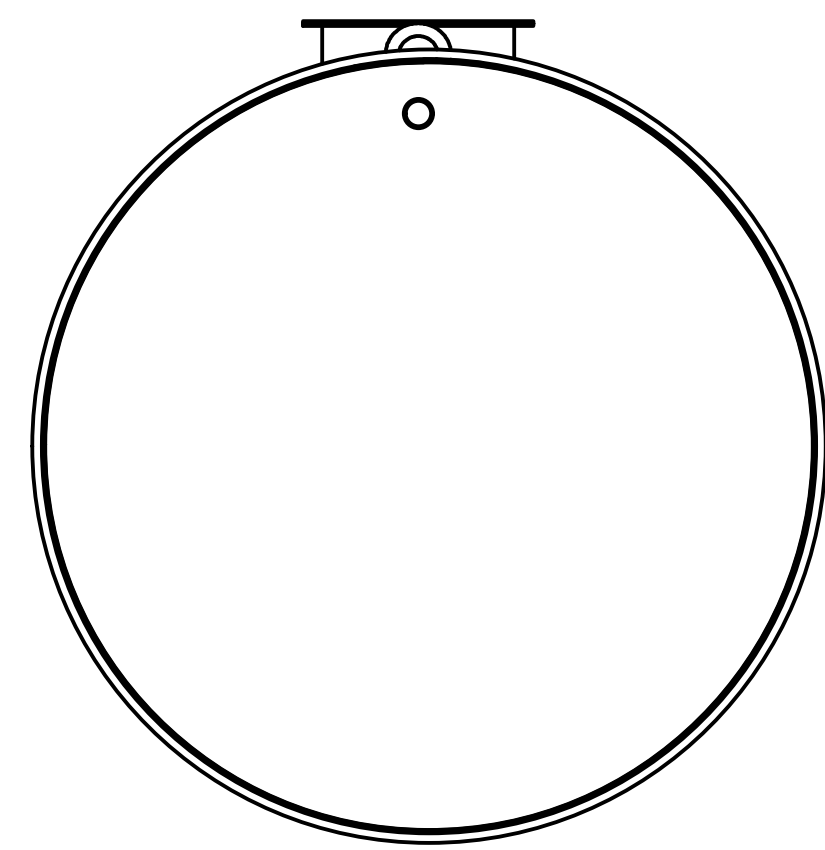
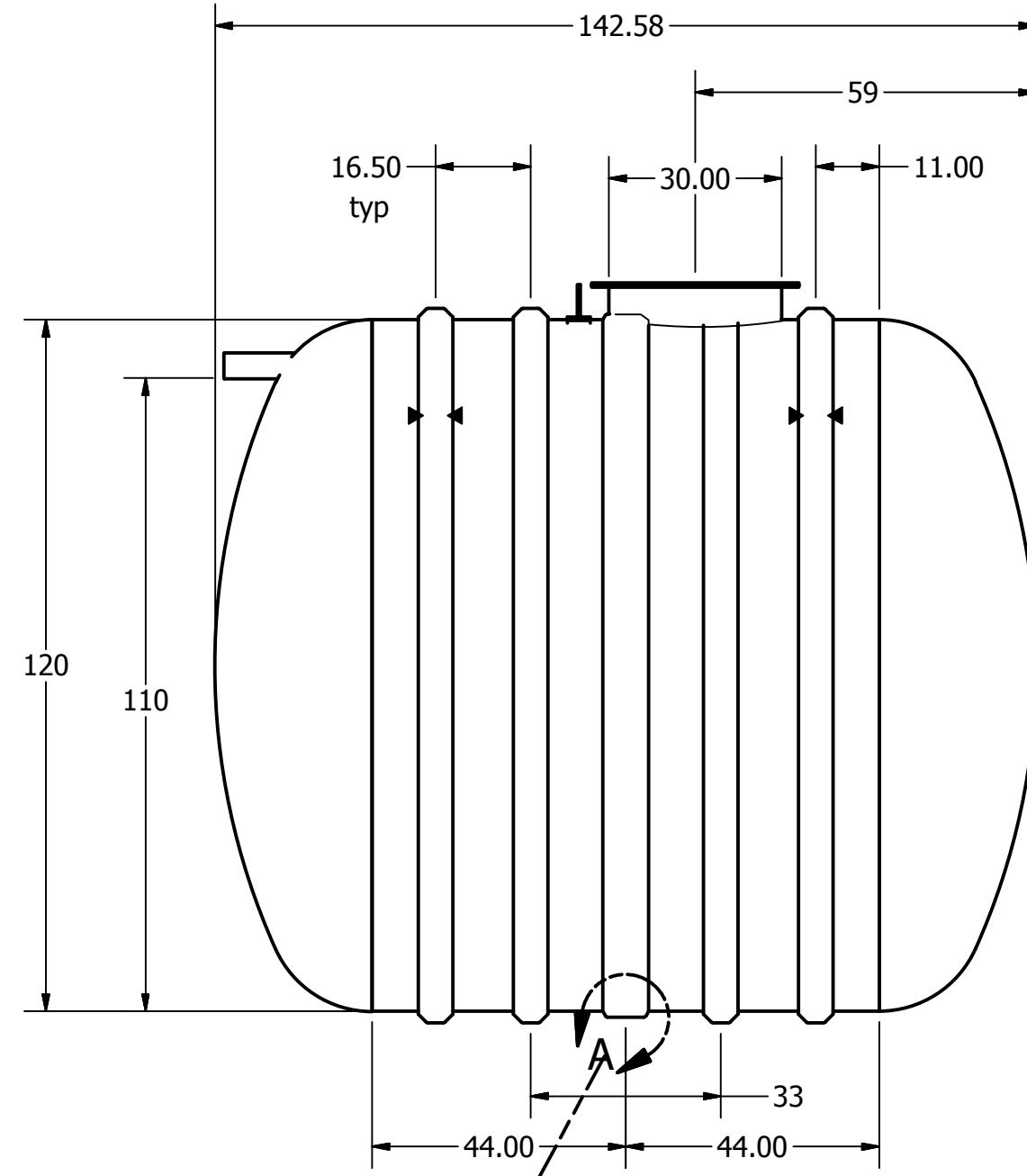
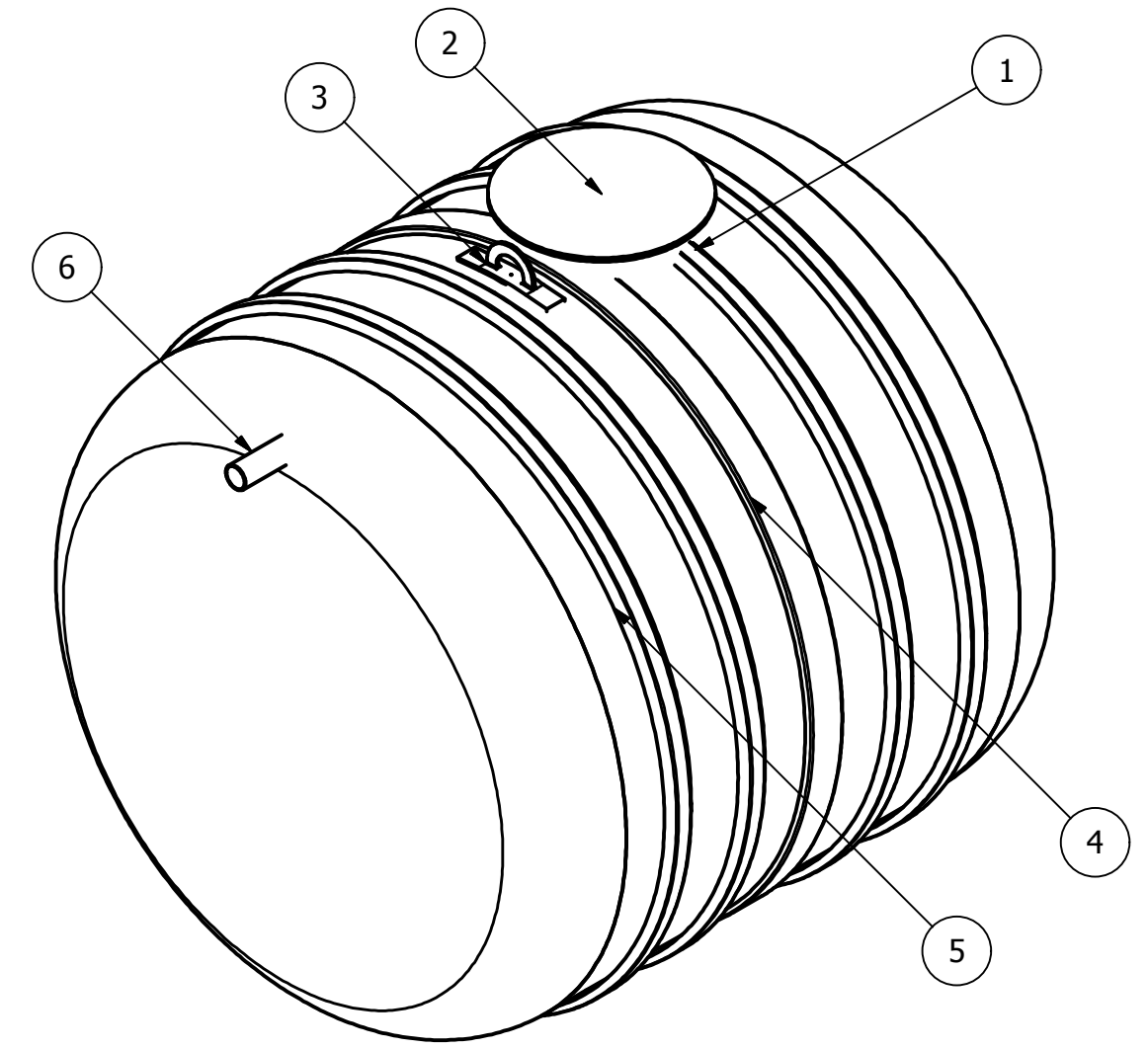
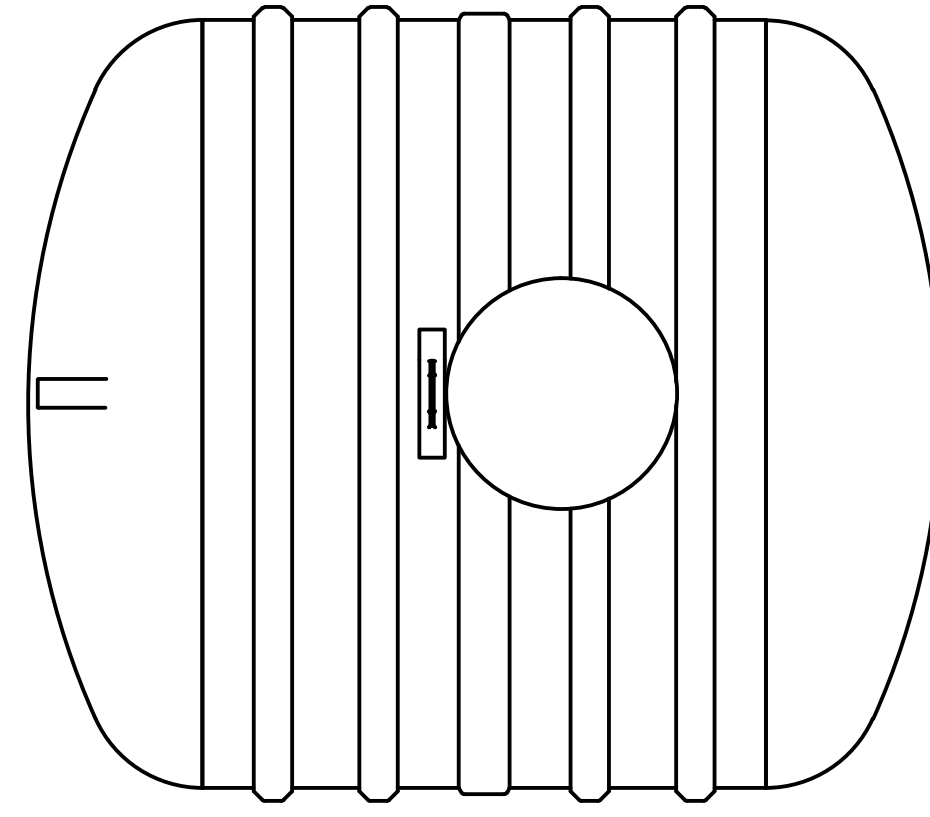
1

REVISION HISTORY

REV	DESCRIPTION	DATE	APPROVED
1	RIB SPACING	11/15/2010	JMC
2	DRAWING REVISION	2/9/2014	MPS

PARTS LIST

ITEM	QTY	PART NUMBER	DESCRIPTION
1	1	C-COLLAR-30IN	30"D COLLAR
2	1	C-LID-30IN-STD	30"D STANDARD LID
3	1	LIFT LUG-PLATE	LIFT LUG
4	1	C-SEAM-10FT	SEAM
5	4	C-RIB	STRUCTURAL RIB
6	1	CONNECTION-4IN-STUB PIPE	4"D STUB PIPE-INLET



SECTIONAL JOINT DETAIL A  
SCALE 1 / 15

Anchor Location

Item	(")	C	Item	(")
Cylinder Thickness	0.425"		Liquid Depth (holding tank)	110"
End Cap Thickness	1.03"		Septic Chamber Depth	N/A
Inlet Height (C.L.)	112"		Effluent Chamber Depth	N/A
Outlet Height (C.L.)	N/A		Chamber Wall Dimensions	N/A
Inlet Diameter	4"		Height:	N/A
Outlet Diameter	N/A		Thickness:	N/A
Rib Dimension (C to C)	16.5"		Opening Diameter:	N/A

DRAWN	2/9/2014	TITLE	BX5000S DEEP BURIAL UNDERGROUND FIBREGLASS SEWAGE HOLDING TANK
marks			
CHECKED			
MFG			
APPROVED			
WEIGHT	1,429 kg (3,150 lbs)	LENGTH	11' 10"
WORKING CAPACITY	22,040L (4,848 IG, 5,818 USG)	SCALE	10' Burial Depth
OVERALL CAPACITY	22,792L (5,014 IG, 6,016 USG)		

		SIZE	C	DWG NO	BX5000S-DB-02	REV	2
		SCALE		10' Burial Depth		SHEET 1 OF 2	

4

3

2

1