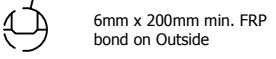
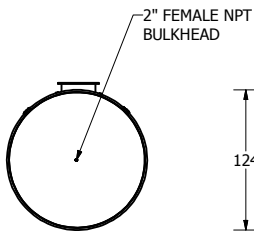
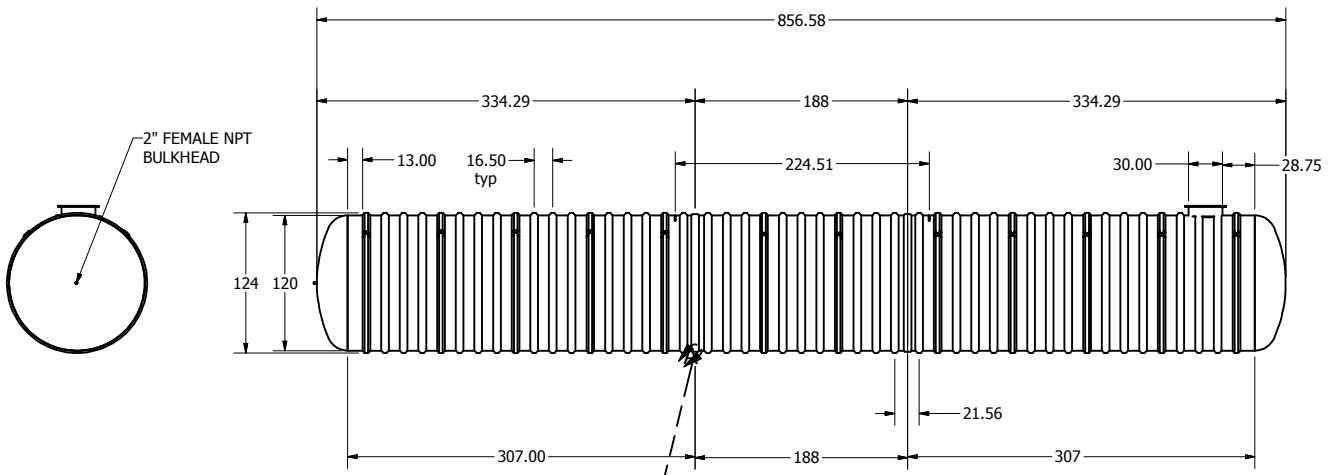
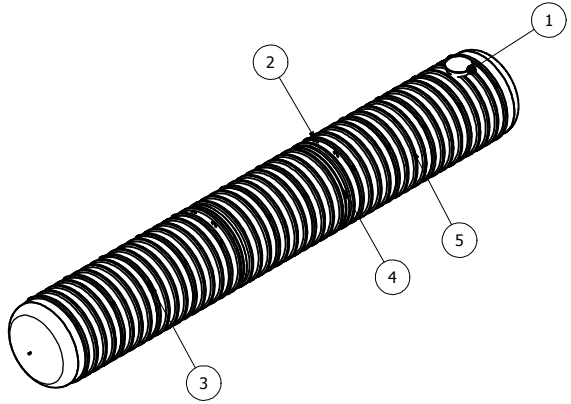
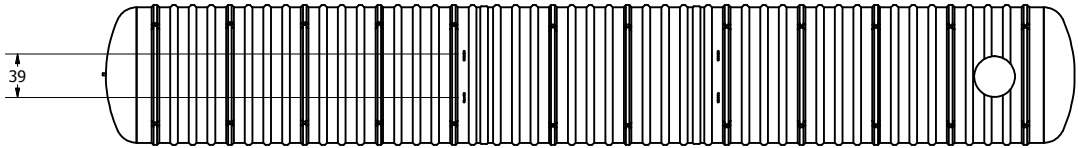




Parts List			
ITEM	QTY	PART NUMBER	DESCRIPTION
1	1	C-COLLAR-30IN	30"D COLLAR
2	4	LIFT-LUG-8-10	LIFT LUG
3	12	C-RIB-GUIDE	STURUCTURAL RIB WITH ANCHOR GUIDE
4	2	SEAM-10FT	SEAM
5	35	C-RIB	STRUCTURAL RIB



SECTIONAL JOINT DETAIL A
SCALE 1/25

DRAWN	12/14/2007	TITLE	BX34000W UNDERGROUND FIBREGLASS WATER CISTERN	
CHECKED				
QA				
MFG		 Drinking Water NSF/ANSI 61	 FRP MANUFACTURING (2010) INC.	
DCL				
APPROVED		SIZE	DWG NO	REV
DCL		C	BX34000W	1
CAPACITY	LENGTH	SCALE	SHEET 1 OF 1	
154,564L (34,000 IG)	71' 5"			