

4

3

2

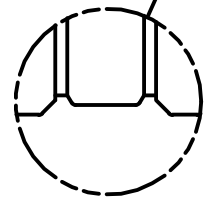
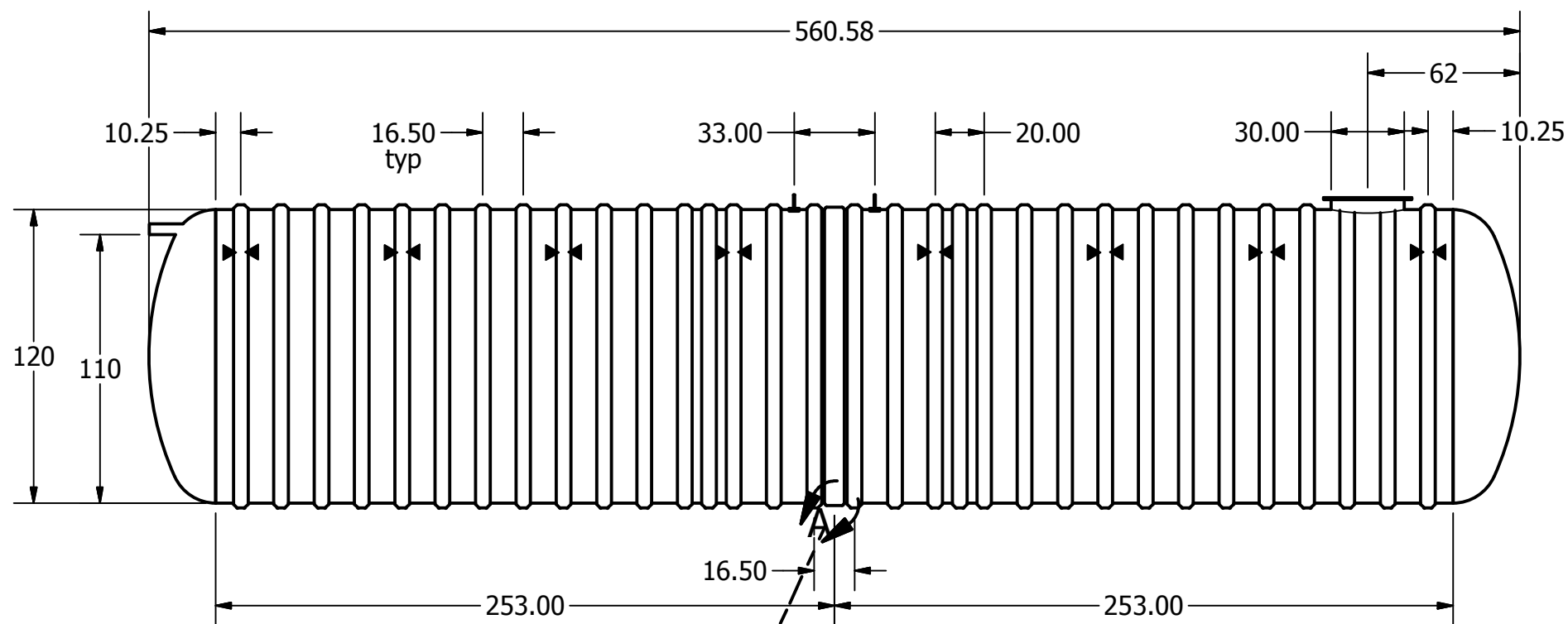
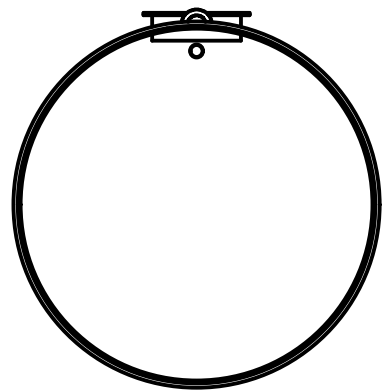
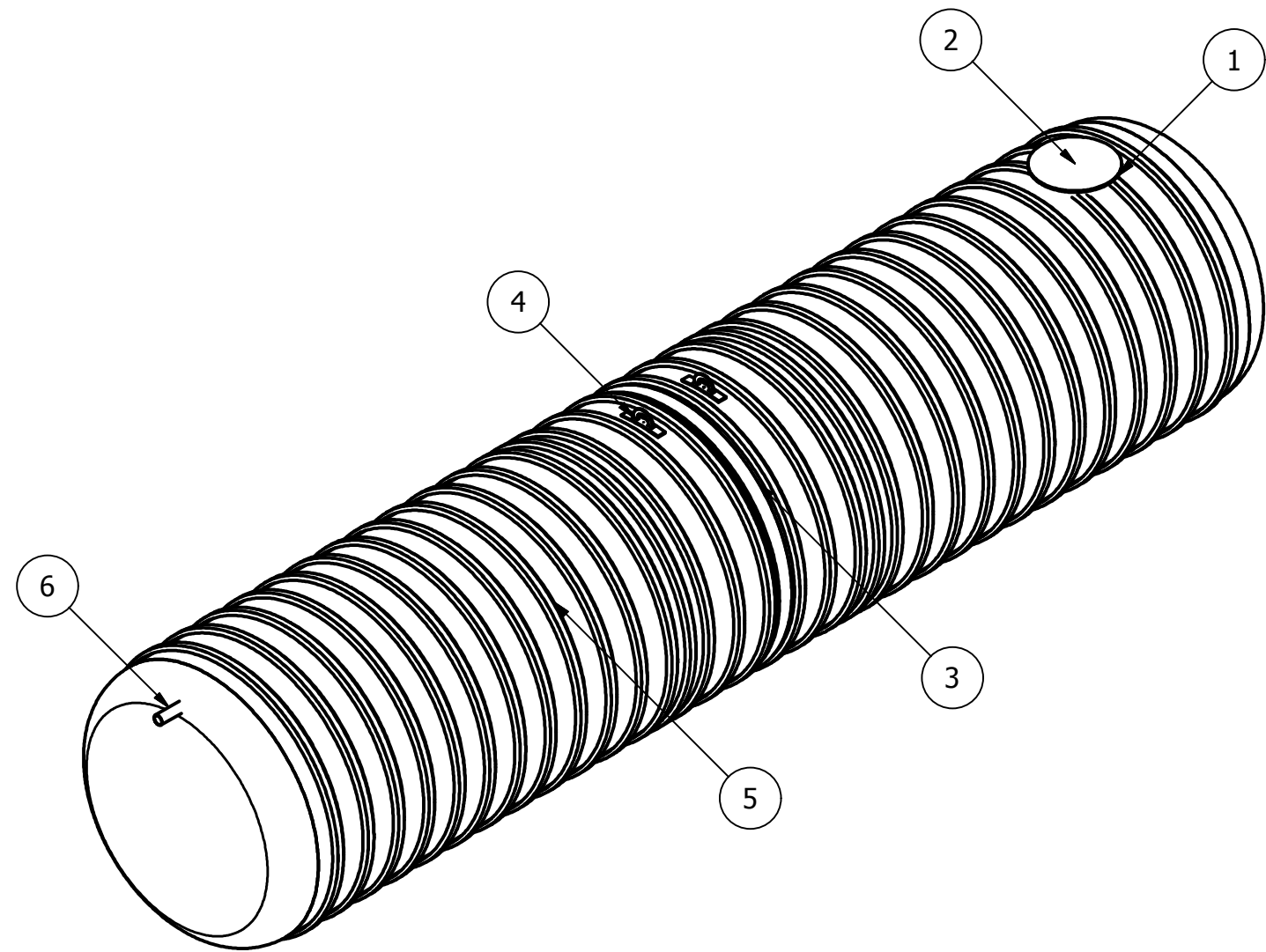
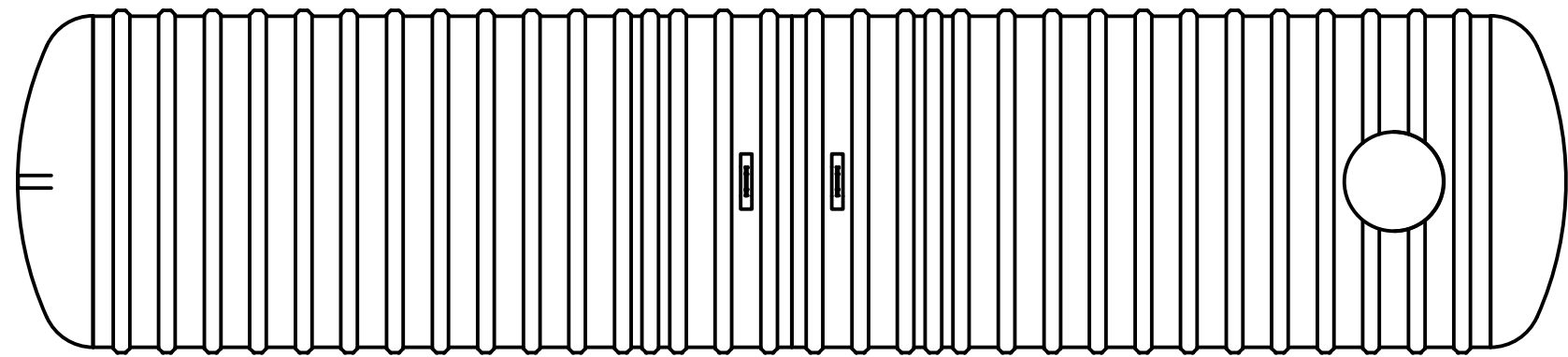
1

REVISION HISTORY

REV	DESCRIPTION	DATE	APPROVED
1	RIB SPACING	9/30/2010	JMC
2	DRAWING REVISION	3/5/2014	MPS

PARTS LIST

ITEM	QTY	PART NUMBER	DESCRIPTION
1	1	C-COLLAR-30IN	30"D COLLAR
2	1	C-LID-30IN-STD	30"D STANDARD LID
3	1	C-SEAM-10FT	SEAM
4	2	LIFT LUG-PLATE	LIFT LUG
5	28	C-RIB	STRUCTURAL RIB
6	1	CONNECTION-4IN-STUB PIPE	4"D STUB PIPE-INLET



11mm x 350mm FRP bond on Outside

SECTIONAL JOINT DETAIL A  
SCALE 1/20

Anchor Location

Item	(")	C	Item	(")
Cylinder Thickness	0.450"		Liquid Depth (holding tank)	110"
End Cap Thickness	1.03"		Septic Chamber Depth	N/A
Inlet Height (C.L.)	112"		Effluent Chamber Depth	N/A
Outlet Height (C.L.)	N/A		Chamber Wall Dimensions	N/A
Inlet Diameter	4"		Height:	N/A
Outlet Diameter	N/A		Thickness:	N/A
Rib Dimension (C to C)	16.5"		Opening Diameter:	N/A

DRAWN MPS	3/5/2014	TITLE BX22000S DEEP BURY UNDERGROUND FIBREGLASS SEWAGE HOLDING TANK
CHECKED		
MFG		
APPROVED		
WEIGHT 4,128 kg (9,100 lbs)	LENGTH 46' 9"	
WORKING CAPACITY 96,434L (21,213 IG, 25,456 USG)		
OVERALL CAPACITY 100,244L (22,051 IG, 26,461 USG)		

		SIZE C	DWG NO BX22000S-DB-02	REV 2
		SCALE 10' Burial Depth	SHEET 1 OF 2	

4

3

2

1