

4

3

2

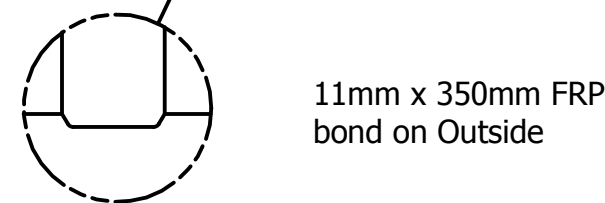
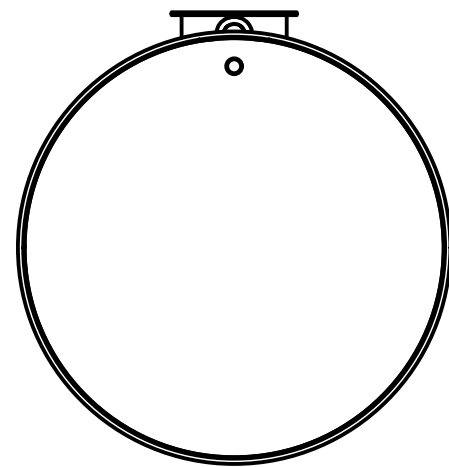
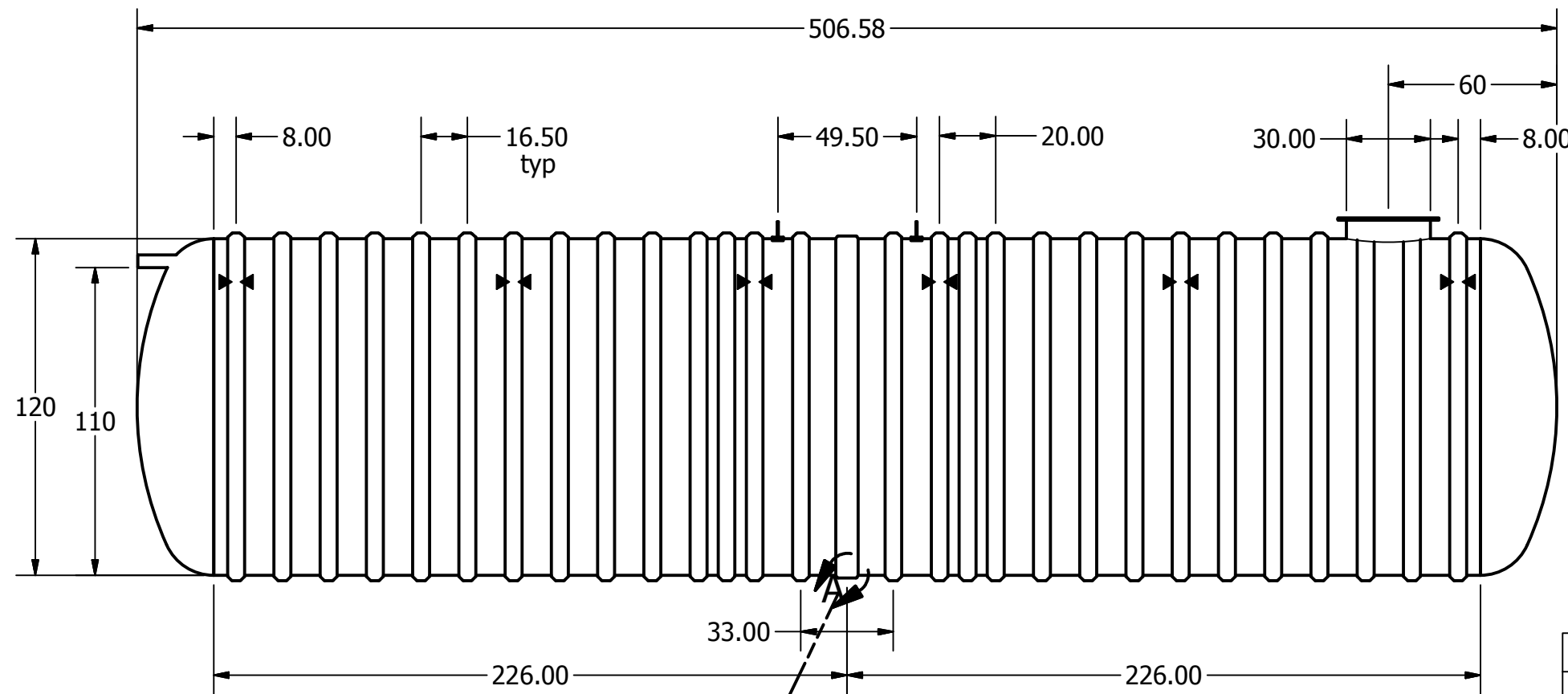
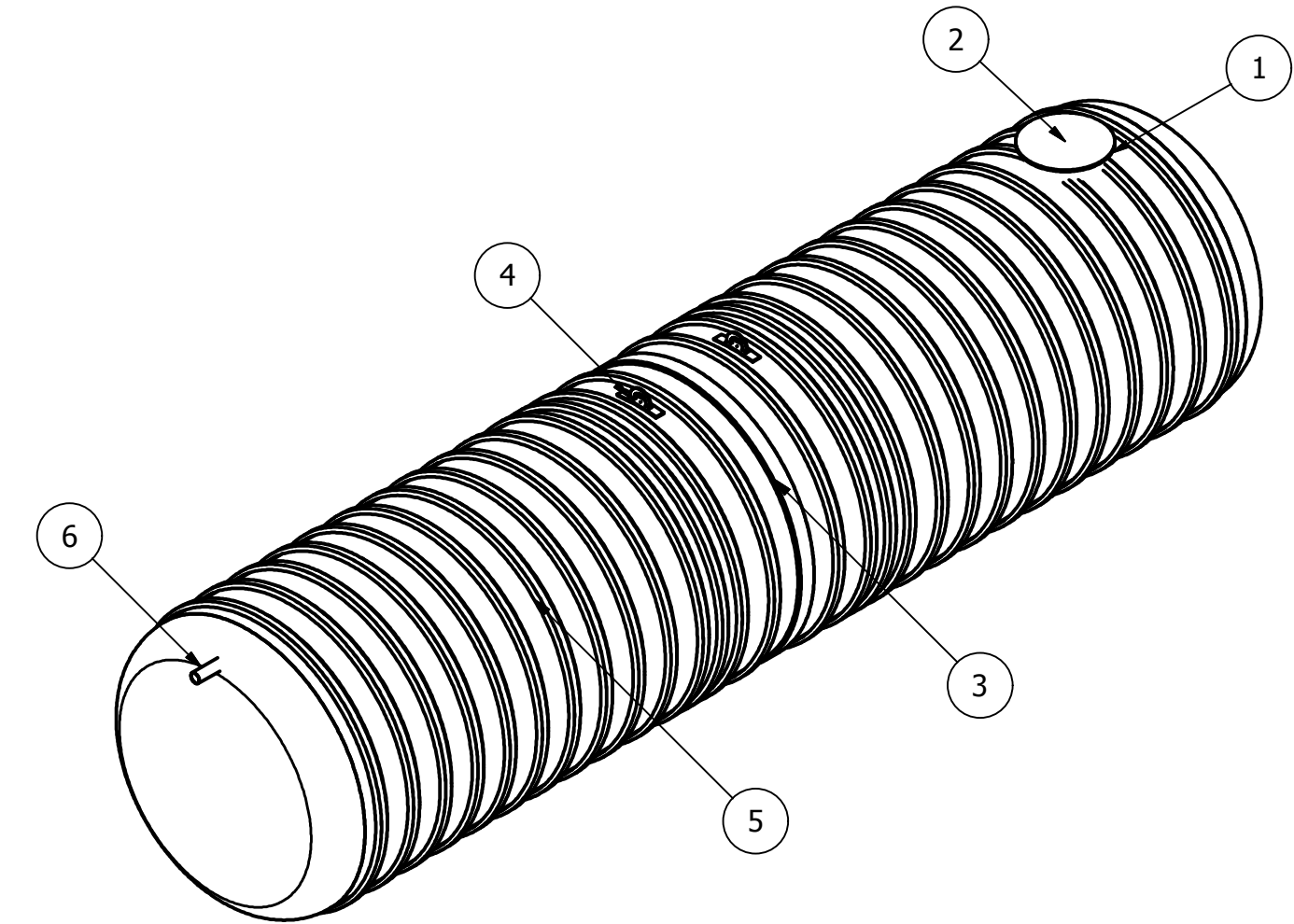
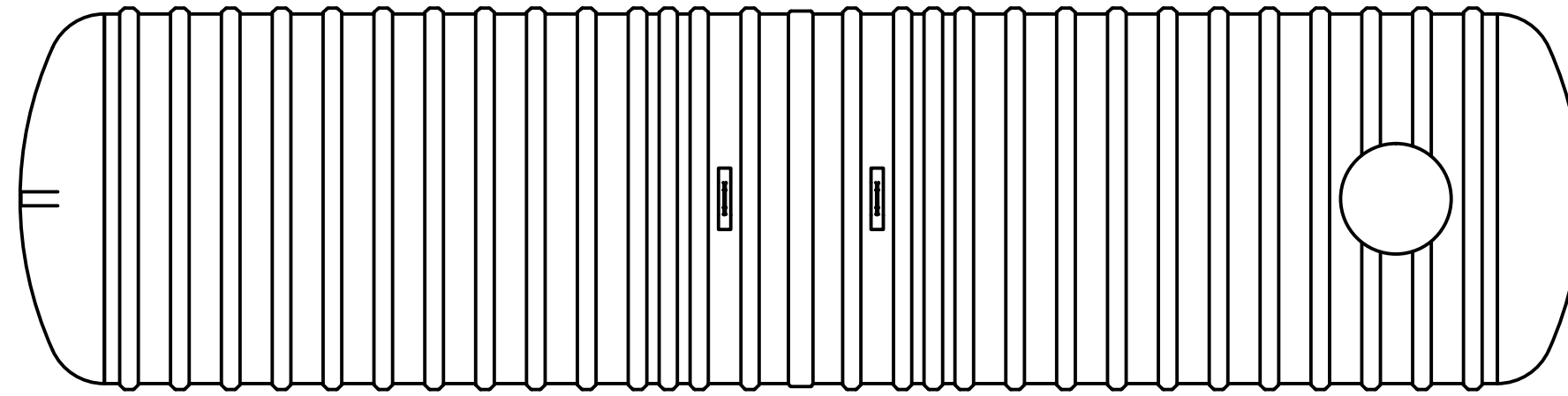
1

REVISION HISTORY

REV	DESCRIPTION	DATE	APPROVED
1	RIB SPACING	9/30/2010	JMC
2	DRAWING REVISION	3/5/2014	MPS

PARTS LIST

ITEM	QTY	PART NUMBER	DESCRIPTION
1	1	C-COLLAR-30IN	30"D COLLAR
2	1	C-LID-30IN-STD	30"D STANDARD LID
3	1	C-SEAM-10FT	SEAM
4	4	LIFT LUG-PLATE	LIFT LUG
5	28	C-RIB	STRUCTURAL RIB
6	1	CONNECTION-4IN-STUB PIPE	4"D STUB PIPE-INLET



SSECTIONAL JOINT DETAIL A
SCALE 1/15

Anchor Location

Item	(")	C	Item	(")
Cylinder Thickness	0.400"		Liquid Depth (holding tank)	110"
End Cap Thickness	0.94"		Septic Chamber Depth	N/A
Inlet Height (C.L.)	112"		Effluent Chamber Depth	N/A
Outlet Height (C.L.)	N/A		Chamber Wall Dimensions	N/A
Inlet Diameter	4"		Height:	N/A
Outlet Diameter	N/A		Thickness:	N/A
Rib Dimension (C to C)	16.5"		Opening Diameter:	N/A

DRAWN MPS	3/11/2014	TITLE BX20000S UNDERGROUND FIBREGLASS SEWAGE HOLDING TANK	
CHECKED			
MFG			
APPROVED		SIZE C	DWG NO BX20000S-02
WEIGHT 3,357 kg (7,400 lbs)	LENGTH 42' 2"	SCALE	REV 2
WORKING CAPACITY 87,710L (19,294 IG, 23,153 USG)			
OVERALL CAPACITY 91,158L (20,052 IG, 24,062 USG)			
		7' Burial Depth	SHEET 1 OF 2

4

3

2

1