

4

3

2

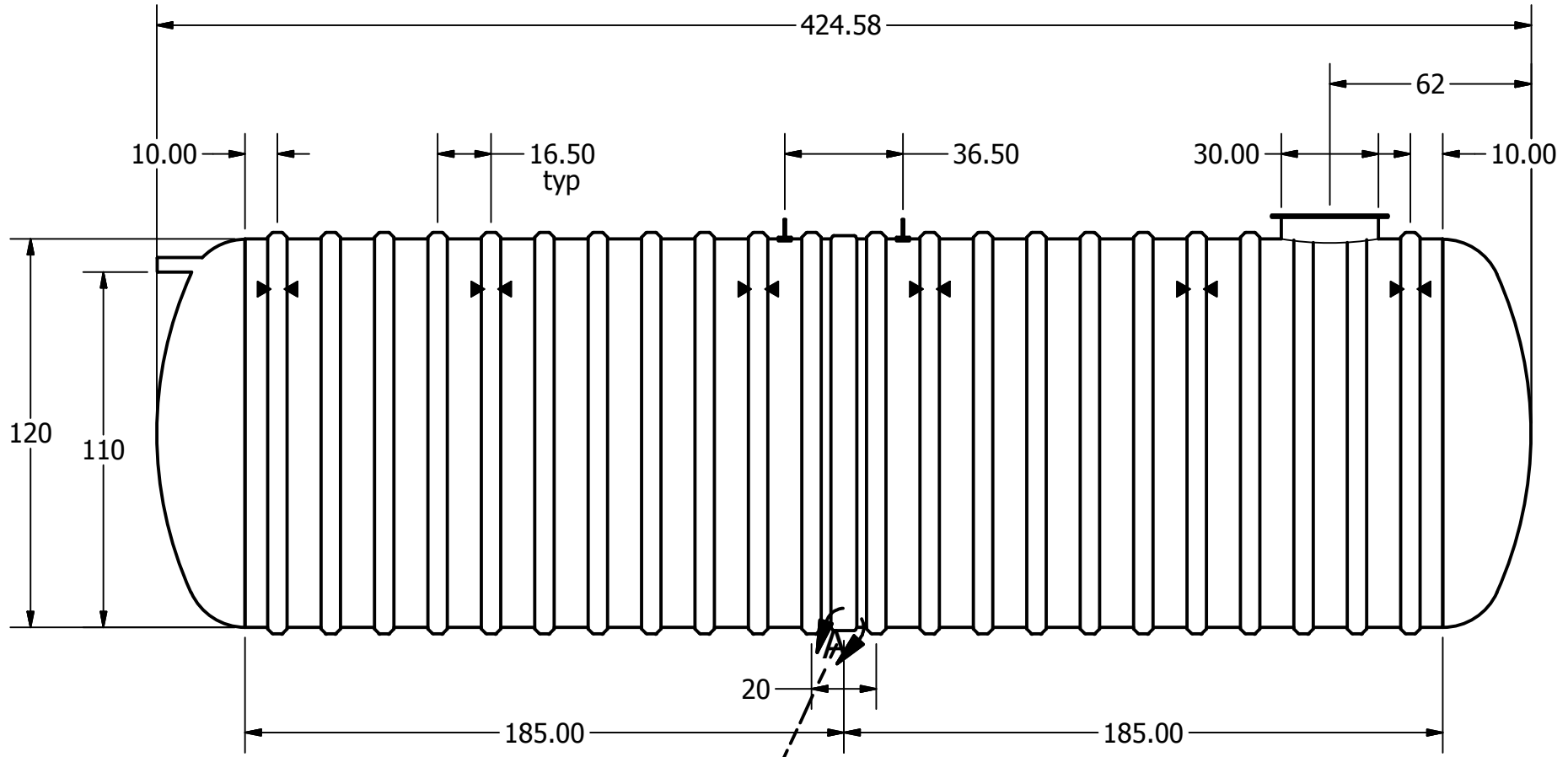
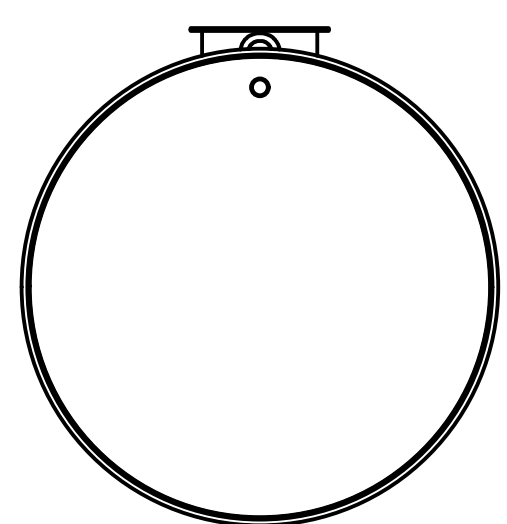
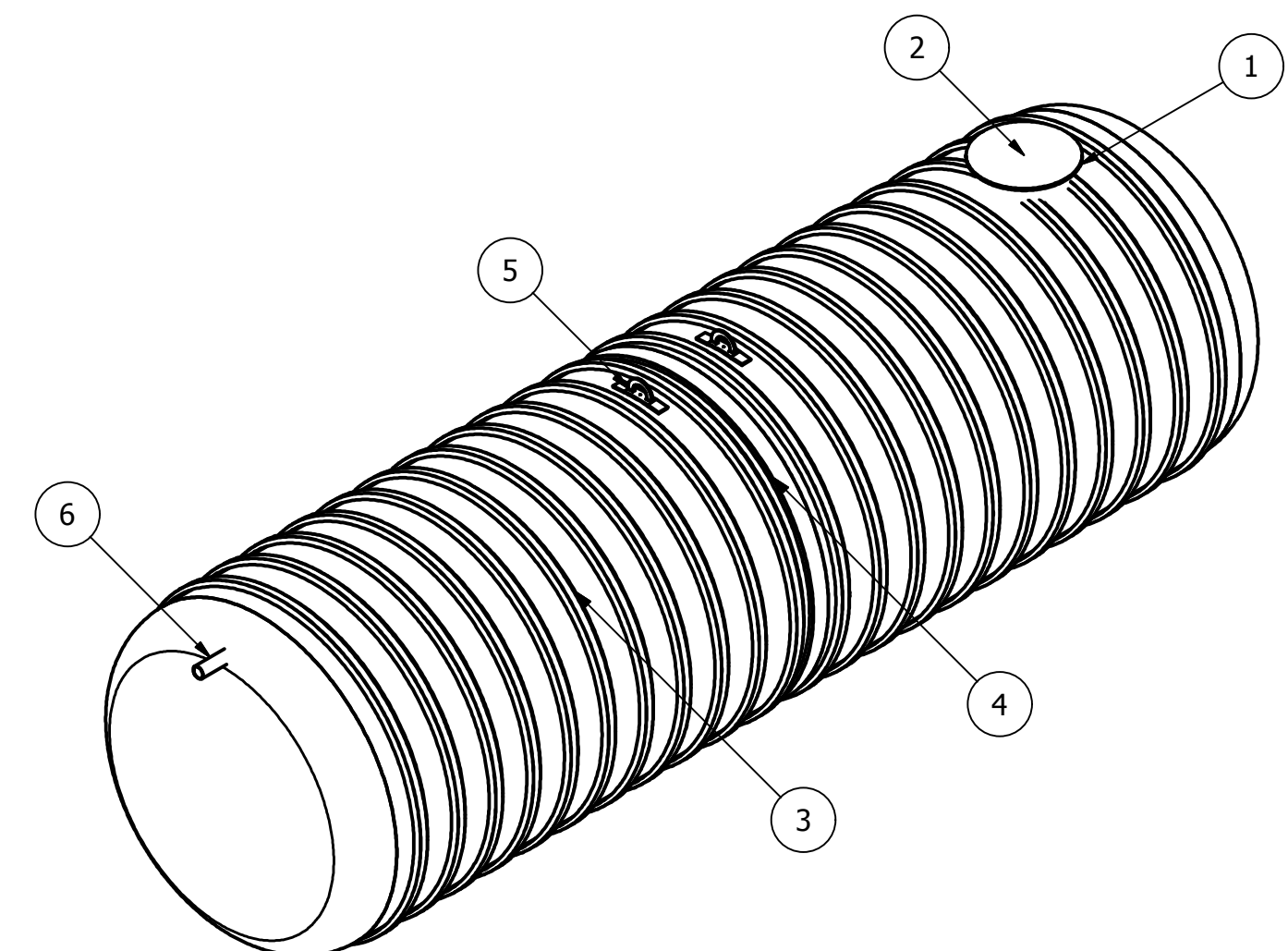
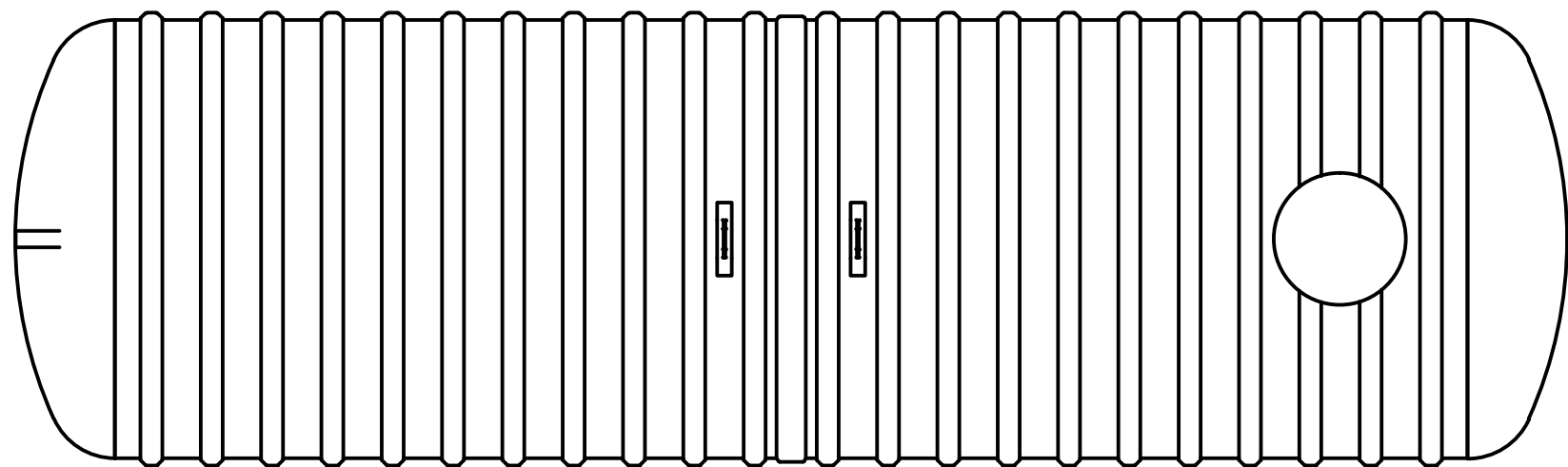
1

REVISION HISTORY

REV	DESCRIPTION	DATE	APPROVED
1	RIB SPACING	9/30/2010	JMC
2	DRAWING REVISION	3/5/2014	MPS

PARTS LIST

ITEM	QTY	PART NUMBER	DESCRIPTION
1	1	C-COLLAR-30IN	30"D COLLAR
2	1	C-LID-30IN-STD	30"D STANDARD LID
3	22	C-RIB	STRUCTURAL RIB
4	1	C-SEAM-10FT	SEAM
5	5	LIFT LUG-PLATE	LIFT LUG
6	1	CONNECTION-4IN-STUB PIPE	4"D STUB PIPE-INLET



11mm x 350mm FRP bond on Outside

SECTIONAL JOINT DETAIL A
SCALE 1/20

Anchor Location

Item	(")	C	Item	(")
Cylinder Thickness	0.425"		Liquid Depth (holding tank)	110"
End Cap Thickness	1.03"		Septic Chamber Depth	N/A
Inlet Height (C.L.)	112"		Effluent Chamber Depth	N/A
Outlet Height (C.L.)	N/A		Chamber Wall Dimensions	N/A
Inlet Diameter	4"		Height:	N/A
Outlet Diameter	N/A		Thickness:	N/A
Rib Dimension (C to C)	16.5"		Opening Diameter:	N/A

DRAWN MPS	3/5/2014	TITLE BX16000S DEEP BURY UNDERGROUND FIBREGLASS SEWAGE HOLDING TANK	
CHECKED			
MFG			
APPROVED		SIZE C	DWG NO BX16000S-DB-02
WEIGHT 3,152 kg (6,950 lbs)	LENGTH 35' 5"	SCALE	REV 2
WORKING CAPACITY 72,154L (15,872 IG, 19,046 USG)			
OVERALL CAPACITY 75,044L (16,508 IG, 19,810 USG)		10' Burial Depth	SHEET 1 OF 2