

4

3

2

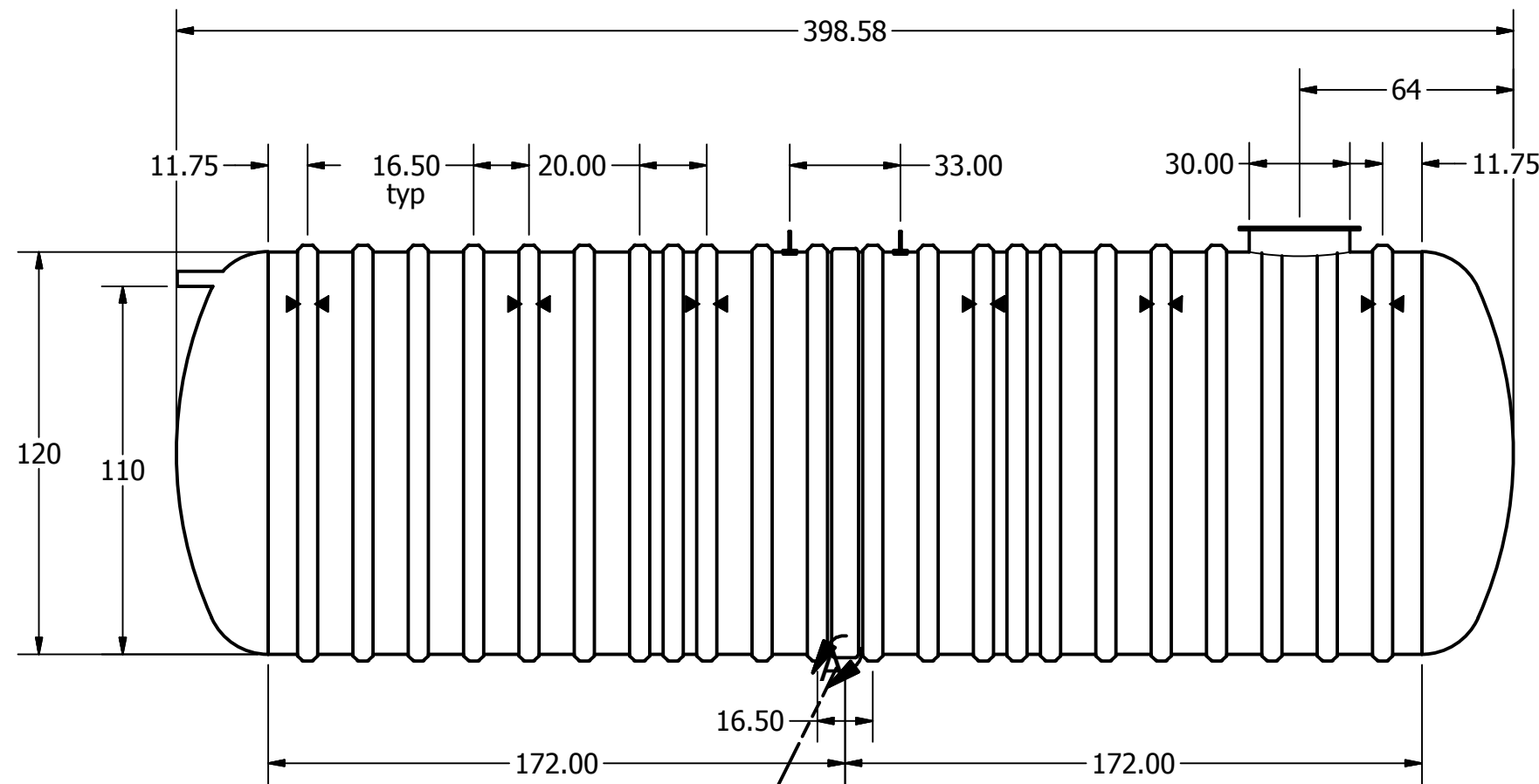
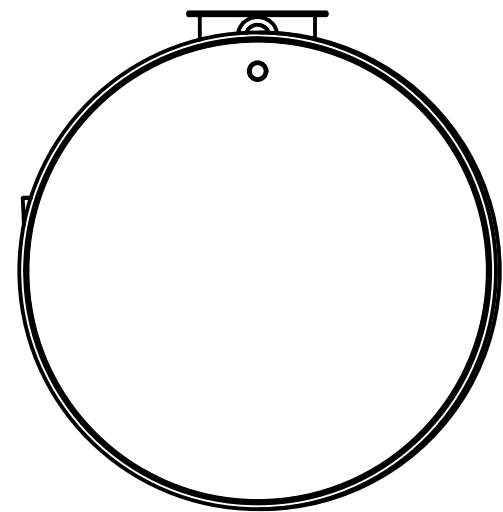
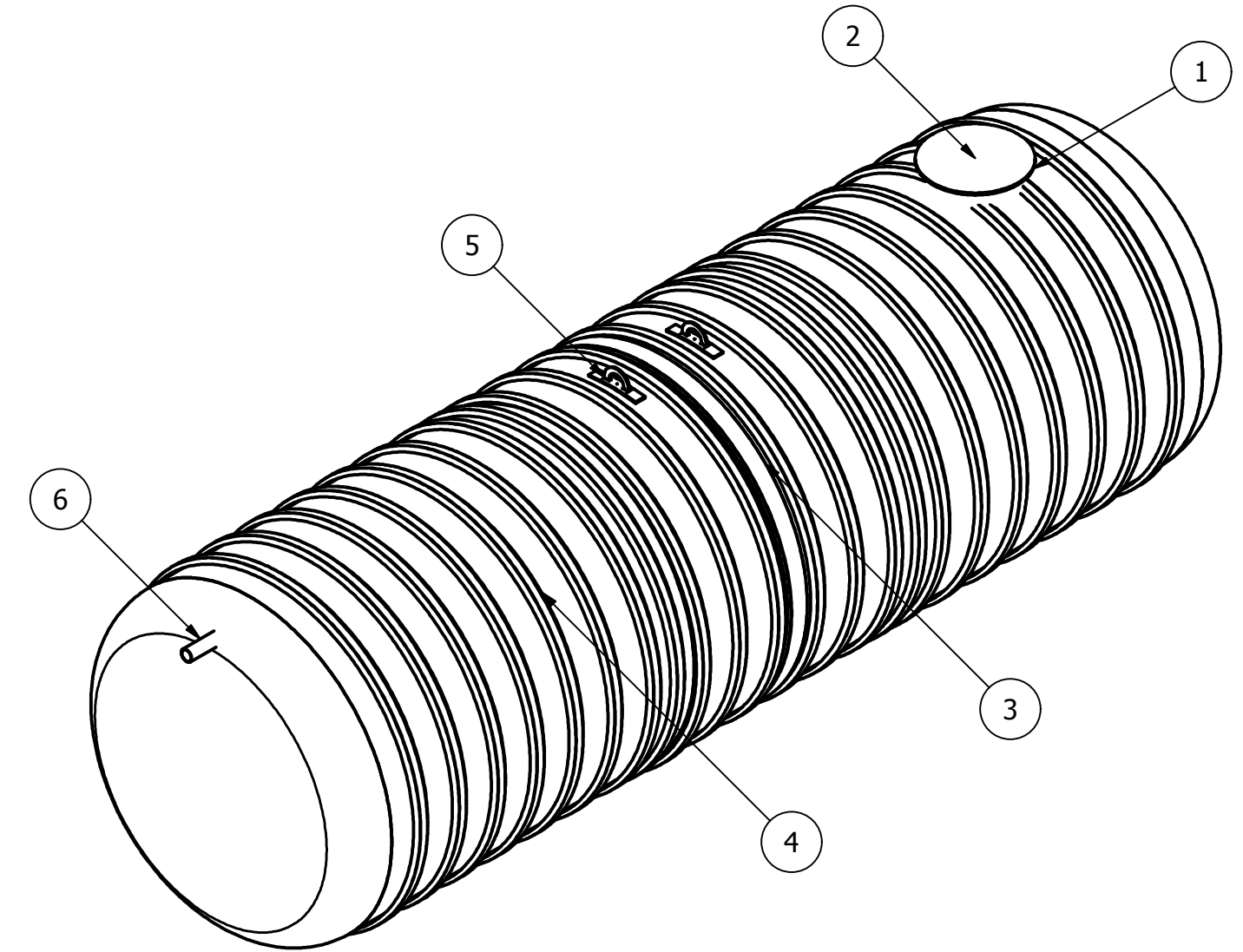
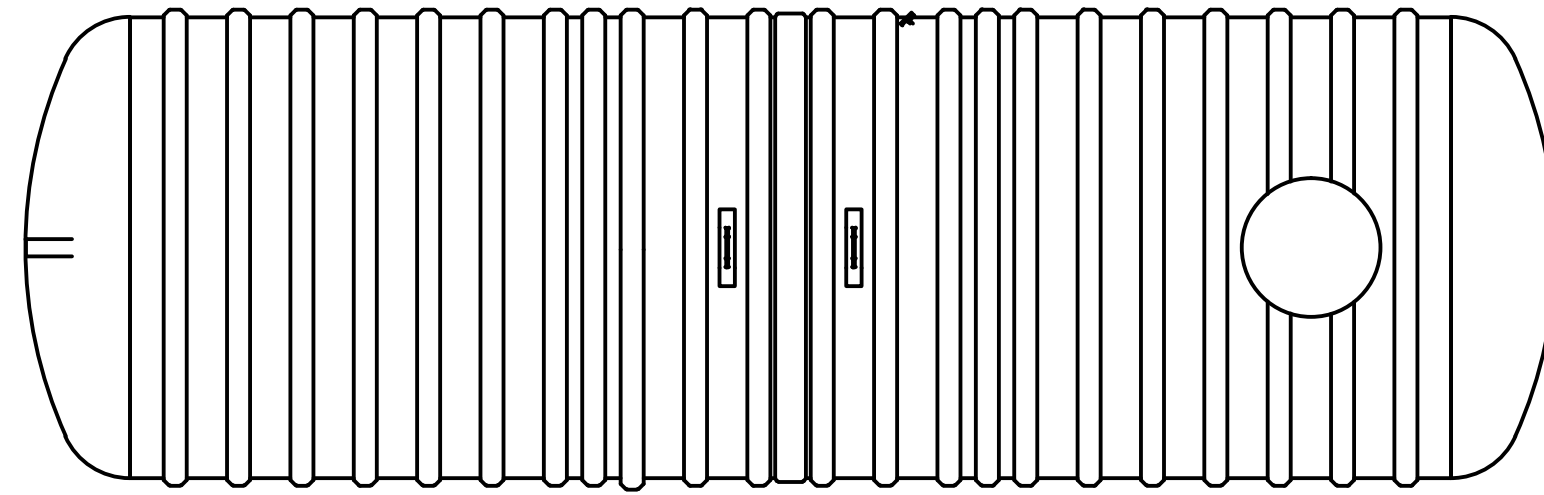
1

REVISION HISTORY

REV	DESCRIPTION	DATE	APPROVED
1	RIB SPACING	9/30/2010	JMC
2	DRAWING REVISION	3/4/2014	MPS

PARTS LIST

ITEM	QTY	PART NUMBER	DESCRIPTION
1	1	C-COLLAR-30IN	30"D COLLAR
2	1	C-LID-30IN-STD	30"D STANDARD LID
3	22	C-RIB	STRUCTURAL RIB
4	1	C-SEAM-10FT	SEAM
5	2	LIFT LUG-PLATE	LIFT LUG
6	1	CONNECTION-4IN-STUB PIPE	4"D STUB PIPE-INLET





11mm x 350mm FRP bond on Outside

SECTIONAL JOINT DETAIL A
SCALE 1/20

Anchor Location

Item	(")	C	Item	(")
Cylinder Thickness	0.400"		Liquid Depth (holding tank)	110"
End Cap Thickness	0.94"		Septic Chamber Depth	N/A
Inlet Height (C.L.)	112"		Effluent Chamber Depth	N/A
Outlet Height (C.L.)	N/A		Chamber Wall Dimensions	N/A
Inlet Diameter	4"		Height:	N/A
Outlet Diameter	N/A		Thickness:	N/A
Rib Dimension (C to C)	16.5"		Opening Diameter:	N/A

DRAWN MPS	3/5/2014	TITLE BX15000S UNDERGROUND FIBREGLASS SEWAGE HOLDING TANK	
CHECKED		 	
MFG		SIZE C	DWG NO BX15000S-02
APPROVED		SCALE	REV 2
WEIGHT 2,790 kg (6,150 lbs)	LENGTH 33' 3"	7' Burial Depth	
WORKING CAPACITY 67,590L (14,868 IG, 17,842 USG)		SHEET 1 OF 2	
OVERALL CAPACITY 70,226L (15,447 IG, 18,536 USG)			

4

3

2

1