

4

3

2

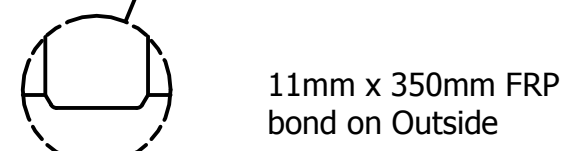
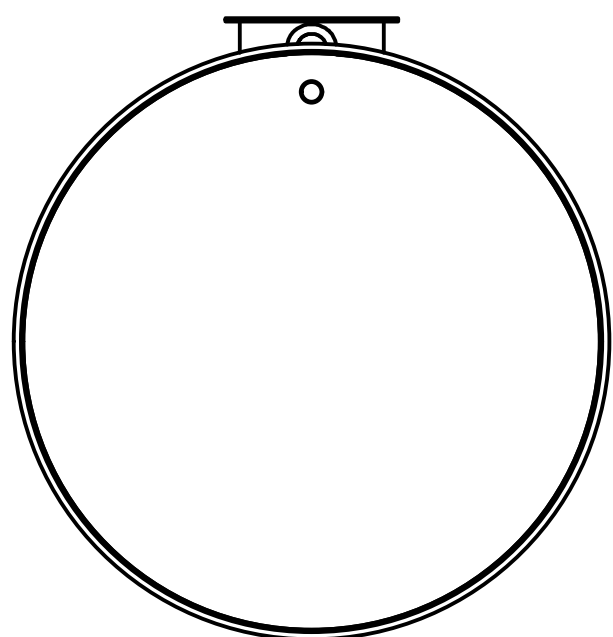
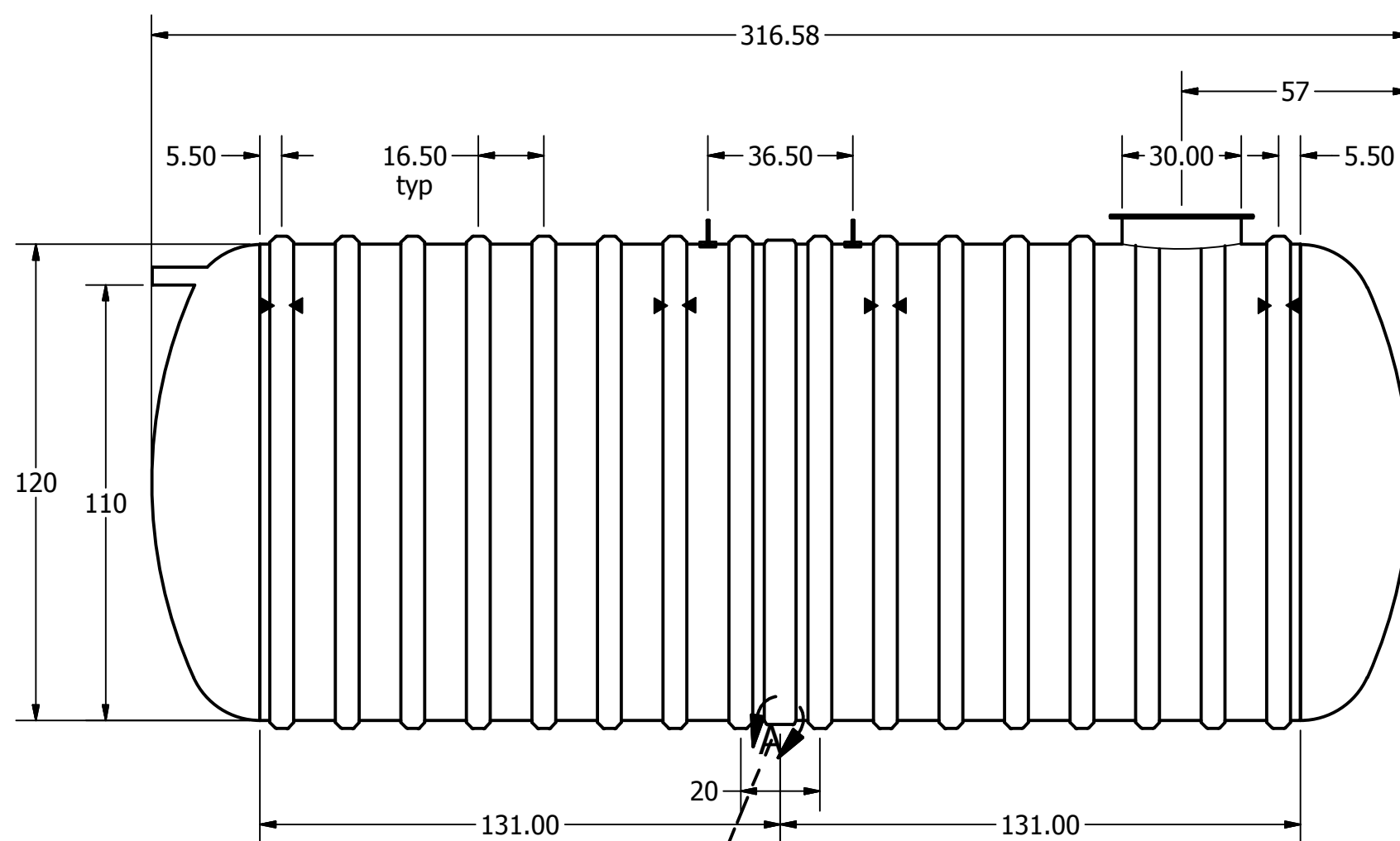
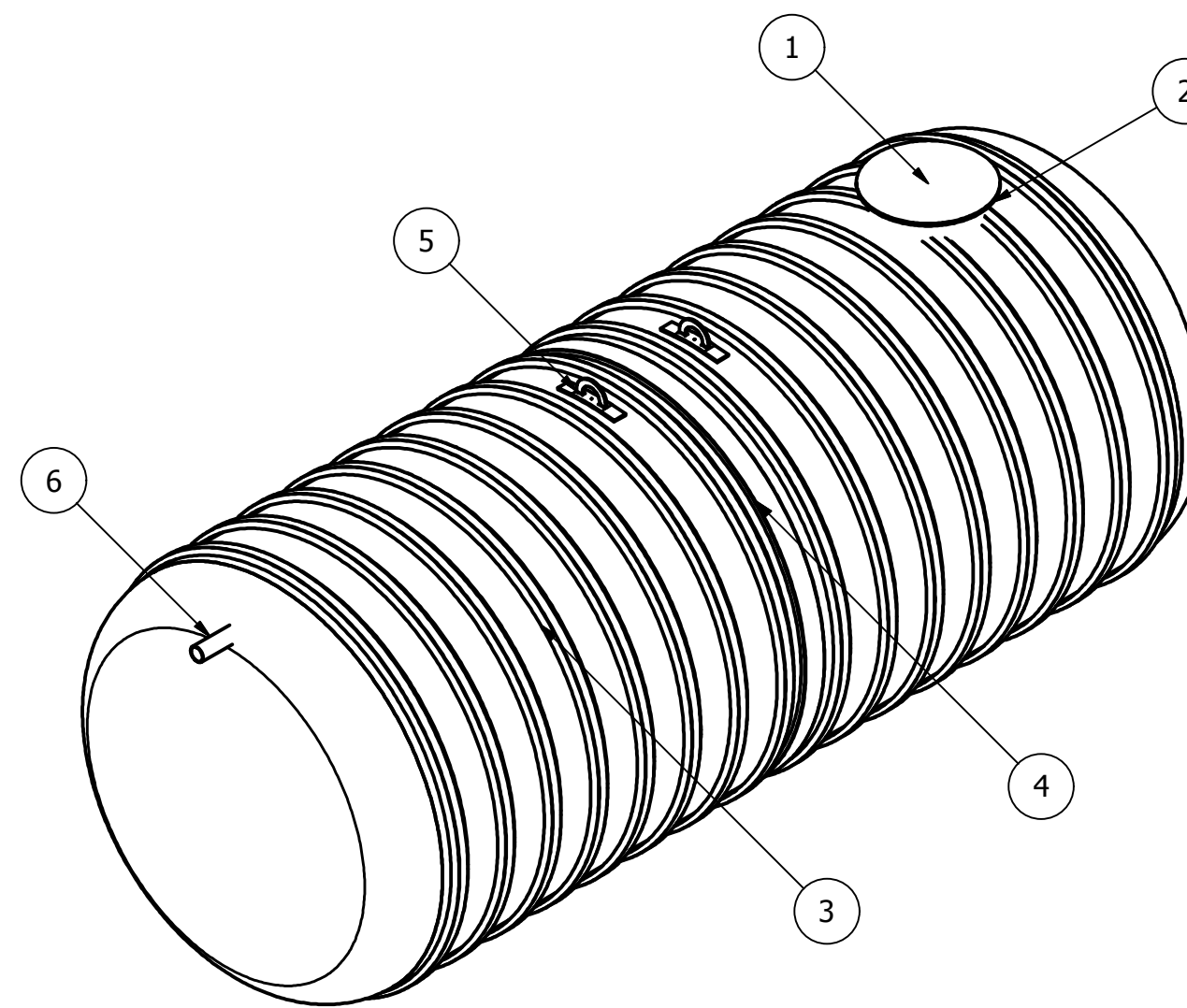
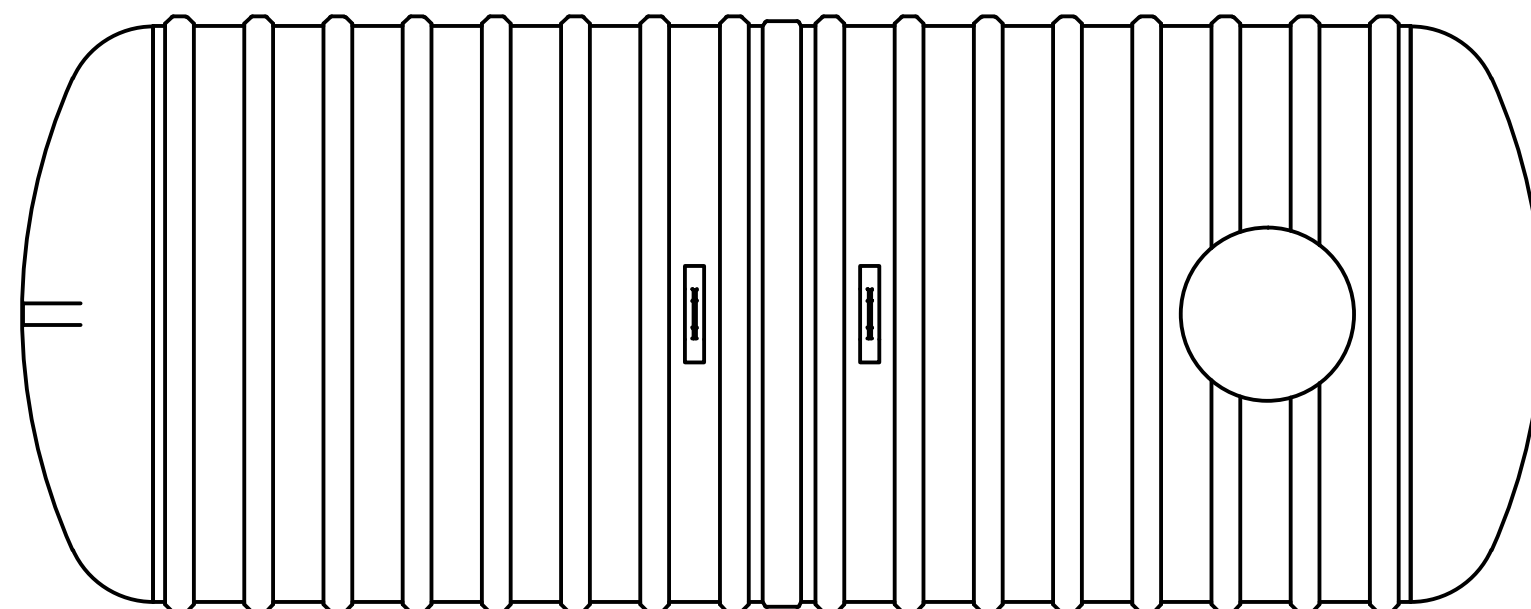
1

REVISION HISTORY

REV	DESCRIPTION	DATE	APPROVED
1	RIB SPACING	9/30/2010	JMC
2	DRAWING REVISION	3/3/2014	MPS

PARTS LIST

ITEM	QTY	PART NUMBER	DESCRIPTION
1	1	C-COLLAR-30IN	30"D COLLAR
2	1	C-LID-30IN-STD	30"D STANDARD LID
3	16	C-RIB	STRUCTURAL RIB
4	1	C-SEAM-10FT	SEAM
5	2	LIFT LUG-PLATE	LIFT LUG
6	1	CONNECTION-4IN-STUB PIPE	4"D STUB PIPE-INLET



SECTIONAL JOINT DETAIL A
SCALE 1/15

Anchor Location

Item	(")	C	Item	(")
Cylinder Thickness	0.425"		Liquid Depth (holding tank)	110"
End Cap Thickness	1.03"		Septic Chamber Depth	N/A
Inlet Height (C.L.)	112"		Effluent Chamber Depth	N/A
Outlet Height (C.L.)	N/A		Chamber Wall Dimensions	N/A
Inlet Diameter	4"		Height:	N/A
Outlet Diameter	N/A		Thickness:	N/A
Rib Dimension (C to C)	16.5"		Opening Diameter:	N/A

DRAWN MPS	3/3/2014	TITLE BX12000S DEEP BURY UNDERGROUND FIBREGLASS SEWAGE HOLDING TANK	
CHECKED			
MFG			
APPROVED		SIZE C	DWG NO BX12000S-DB-02
WEIGHT 2,517 kg (5,550 lbs)	LENGTH 26' 5"	SCALE 10' Burial Depth	REV 2
WORKING CAPACITY 52,980L (11,654 IG, 13,985 USG)		SHEET 1 OF 2	
OVERALL CAPACITY 55,032L (12,105 IG, 14,526 USG)			