

4

3

2

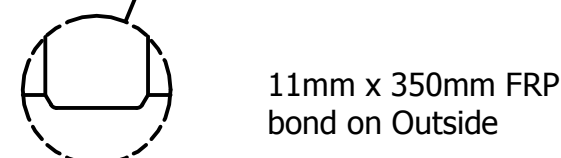
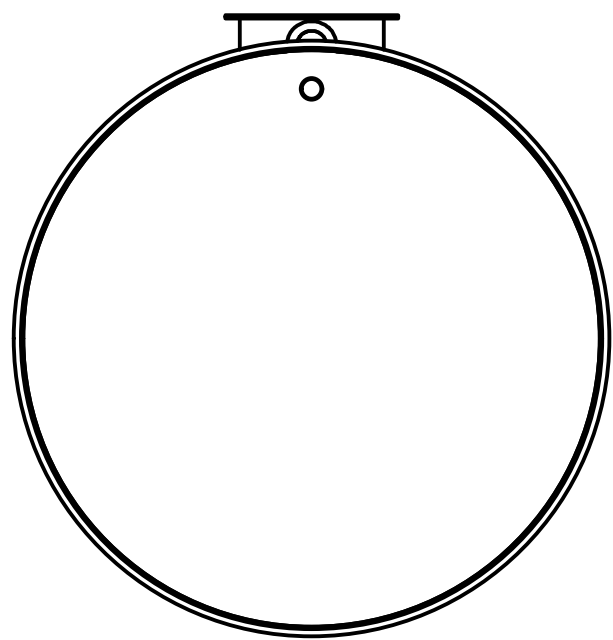
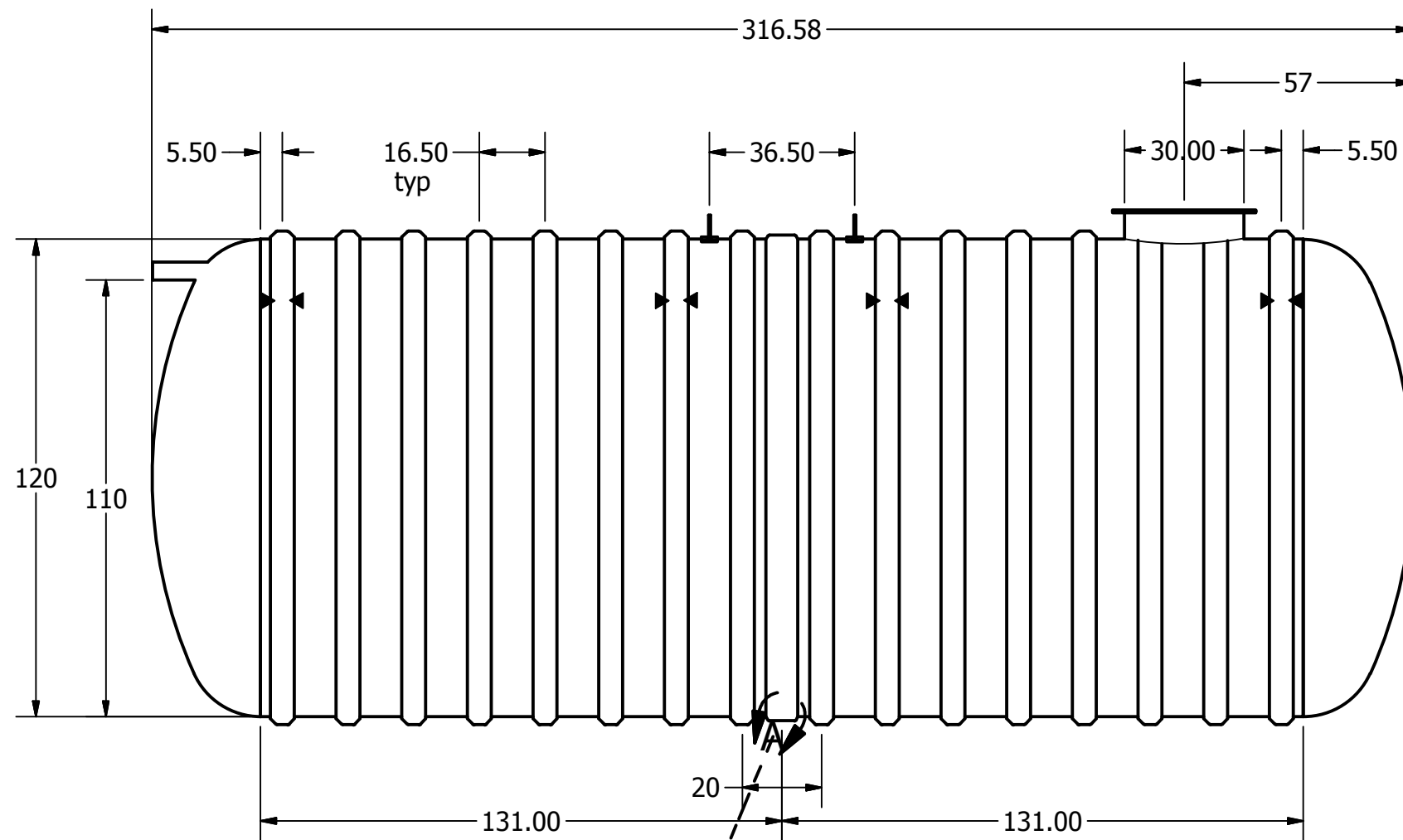
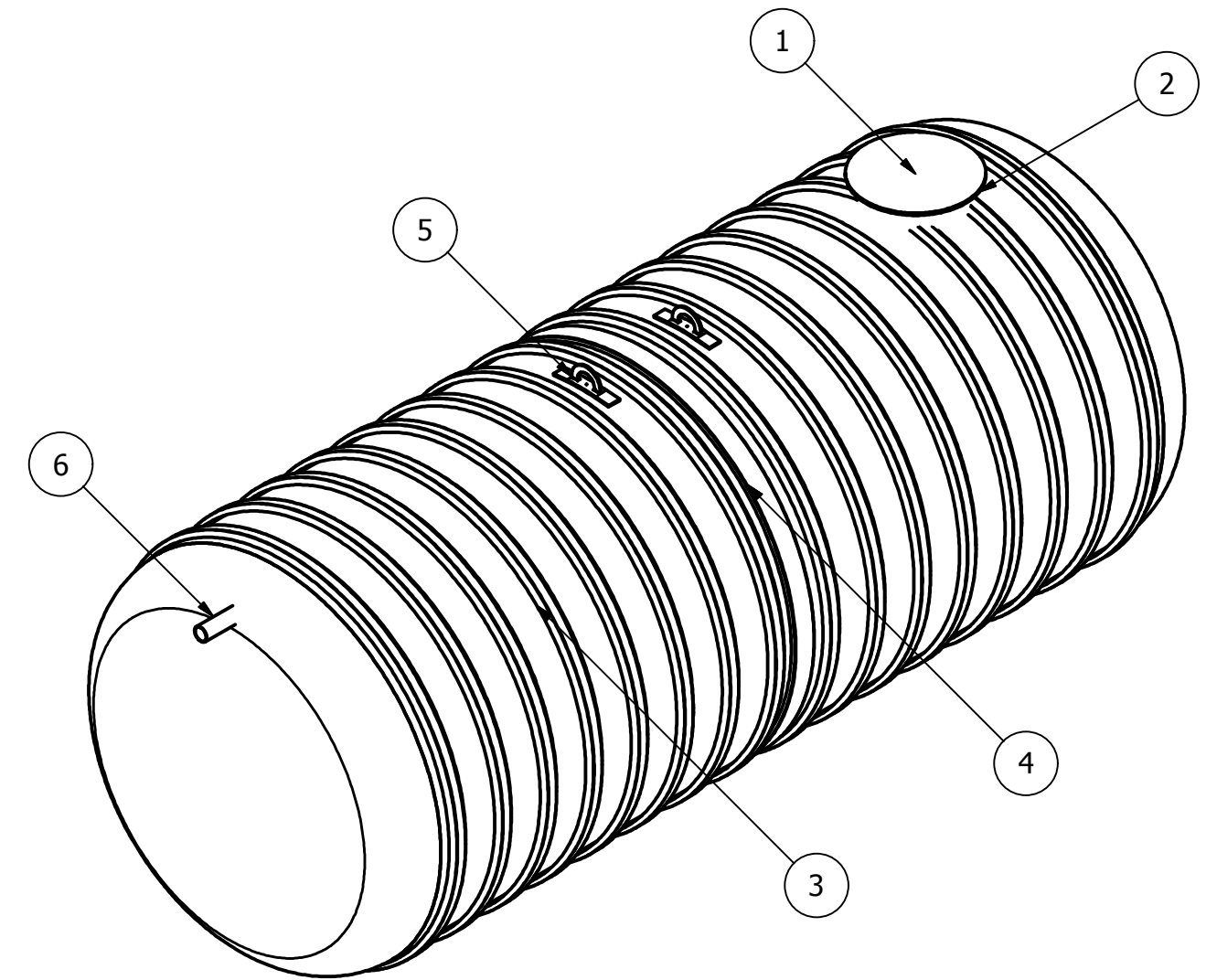
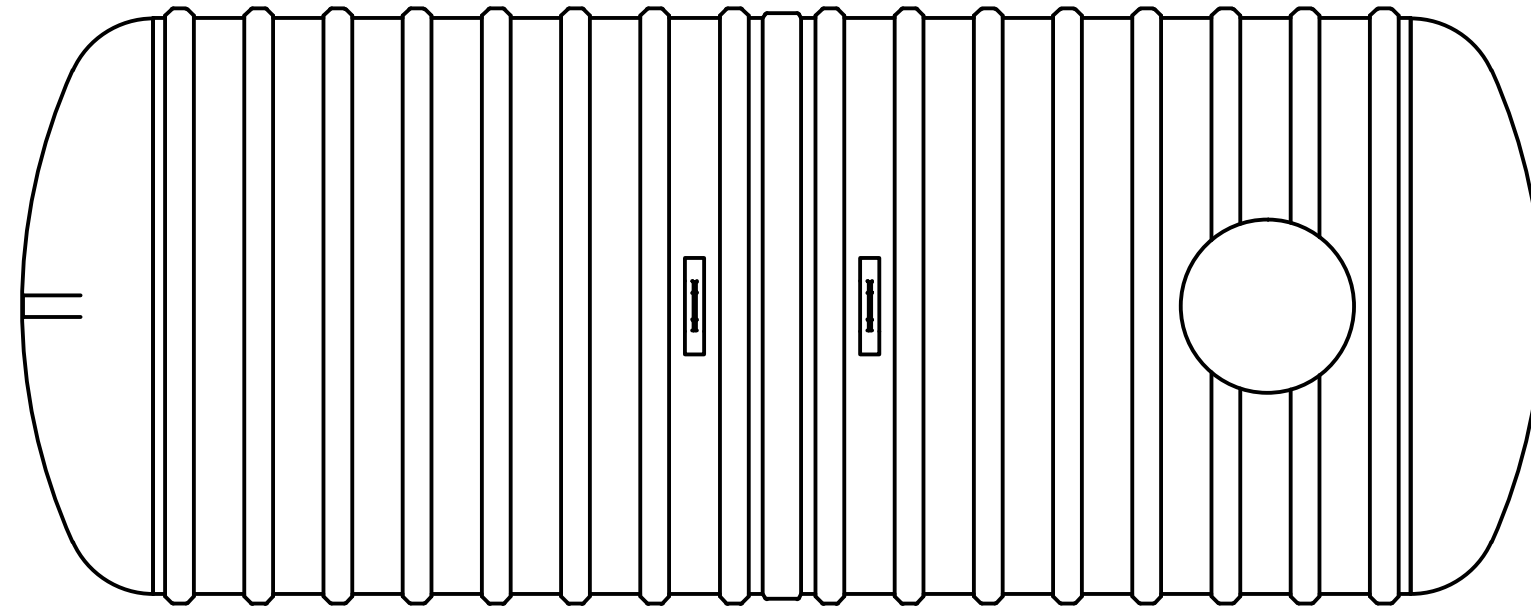
1

REVISION HISTORY

| REV | DESCRIPTION      | DATE      | APPROVED |
|-----|------------------|-----------|----------|
| 1   | RIB SPACING      | 9/30/2010 | JMC      |
| 2   | DRAWING REVISION | 3/3/2014  | MPS      |

PARTS LIST

| ITEM | QTY | PART NUMBER              | DESCRIPTION         |
|------|-----|--------------------------|---------------------|
| 1    | 1   | C-COLLAR-30IN            | 30"D COLLAR         |
| 2    | 1   | C-LID-30IN-STD           | 30"D STANDARD LID   |
| 3    | 16  | C-RIB                    | STRUCTURAL RIB      |
| 4    | 1   | C-SEAM-10FT              | SEAM                |
| 5    | 2   | LIFT LUG-PLATE           | LIFT LUG            |
| 6    | 1   | CONNECTION-4IN-STUB PIPE | 4"D STUB PIPE-INLET |



SECTIONAL JOINT DETAIL A  
SCALE 1/15

Anchor Location

| Item                   | (")    | C | Item                        | (")  |
|------------------------|--------|---|-----------------------------|------|
| Cylinder Thickness     | 0.400" |   | Liquid Depth (holding tank) | 110" |
| End Cap Thickness      | 0.94"  |   | Septic Chamber Depth        | N/A  |
| Inlet Height (C.L.)    | 112"   |   | Effluent Chamber Depth      | N/A  |
| Outlet Height (C.L.)   | N/A    |   | Chamber Wall Dimensions     | N/A  |
| Inlet Diameter         | 4"     |   | Height:                     | N/A  |
| Outlet Diameter        | N/A    |   | Thickness:                  | N/A  |
| Rib Dimension (C to C) | 16.5"  |   | Opening Diameter:           | N/A  |

|                                                     |                  |                                                                 |                       |
|-----------------------------------------------------|------------------|-----------------------------------------------------------------|-----------------------|
| DRAWN<br>MPS                                        | 3/3/2014         | TITLE<br>BX12000S UNDERGROUND FIBREGLASS<br>SEWAGE HOLDING TANK |                       |
| CHECKED                                             |                  |                                                                 |                       |
| MFG                                                 |                  |                                                                 |                       |
| APPROVED                                            |                  | SIZE<br>C                                                       | DWG NO<br>BX12000S-02 |
| WEIGHT<br>2,291 kg (5,050 lbs)                      | LENGTH<br>26' 5" | SCALE                                                           | REV<br>2              |
| WORKING CAPACITY<br>52,980L (11,654 IG, 13,985 USG) |                  |                                                                 |                       |
| OVERALL CAPACITY<br>55,032L (12,105 IG, 14,526 USG) |                  |                                                                 |                       |
|                                                     |                  | 7' Burial Depth                                                 | SHEET 1 OF 2          |