

4

3

2

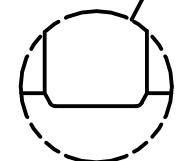
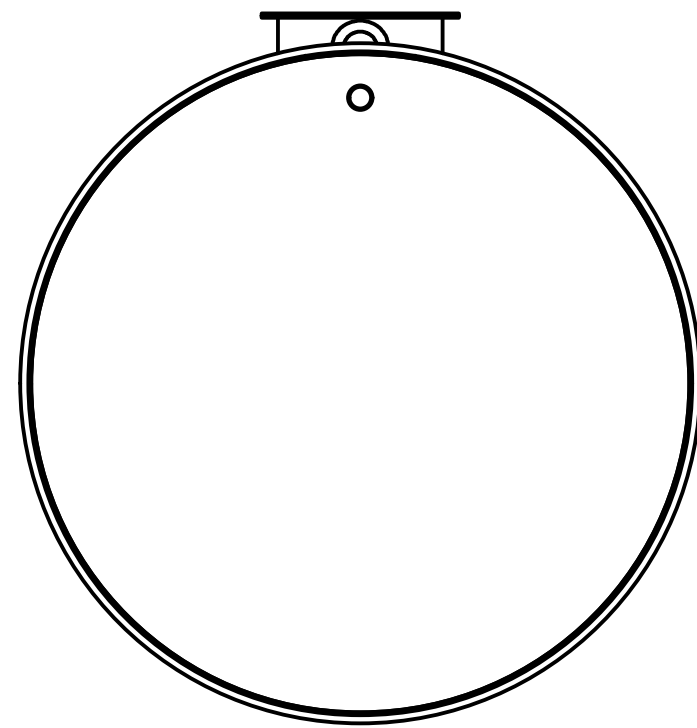
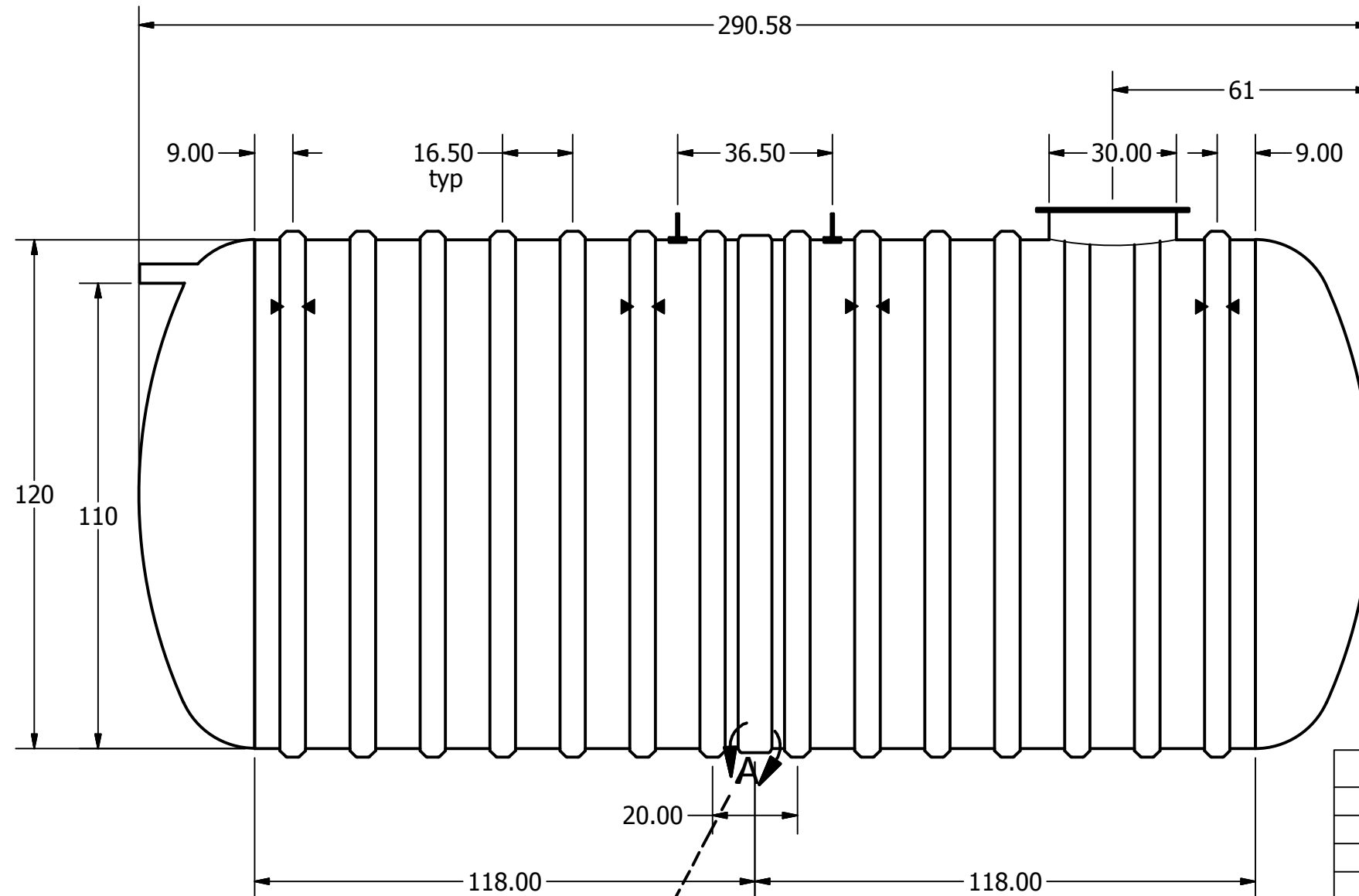
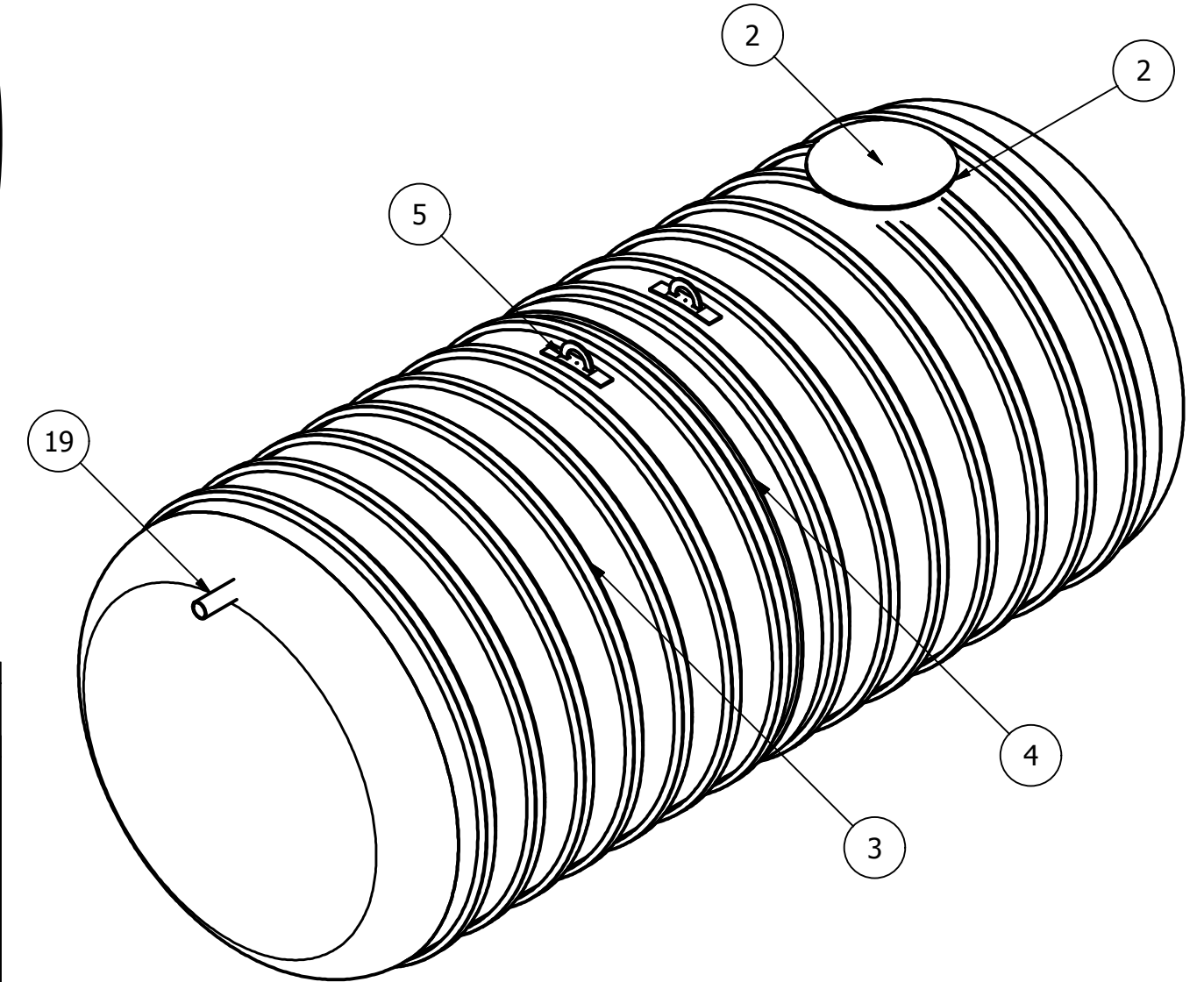
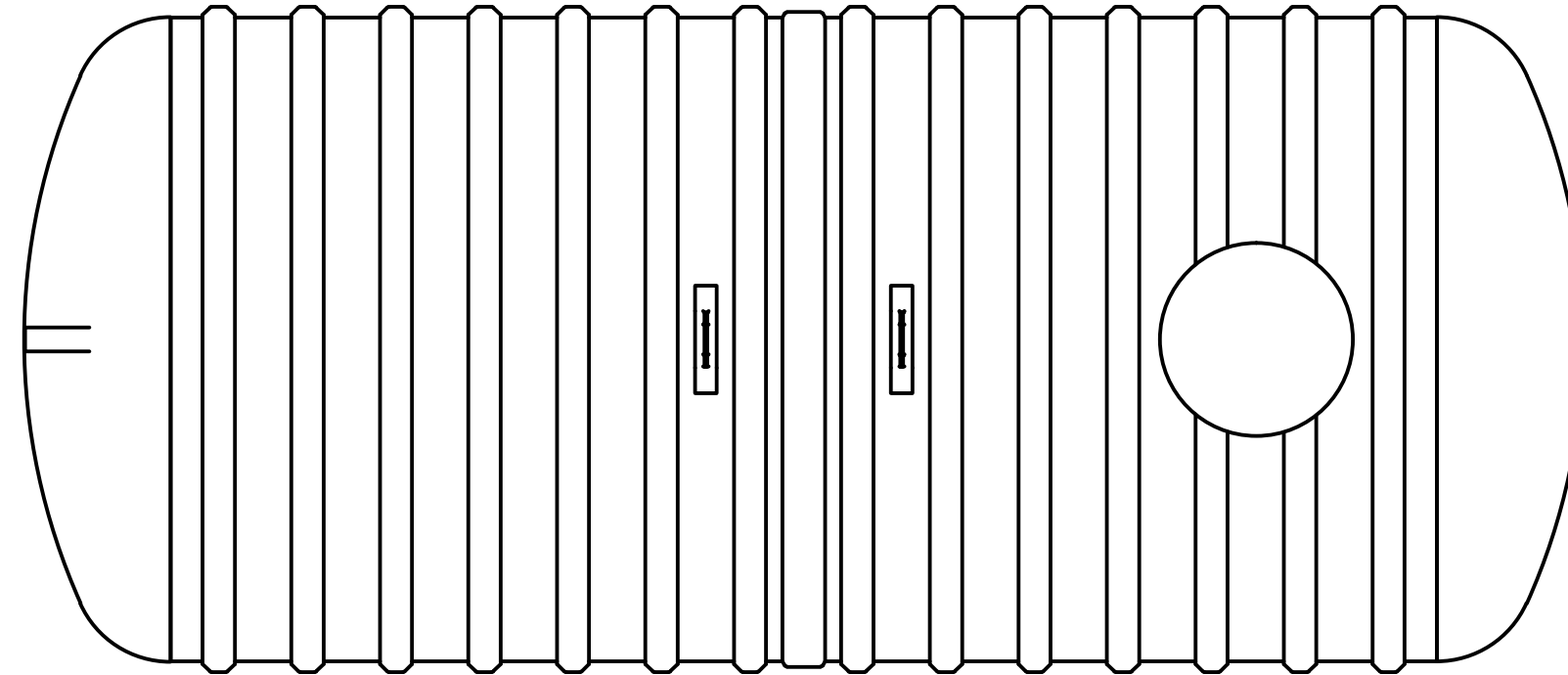
1

REVISION HISTORY

REV	DESCRIPTION	DATE	APPROVED
1	RIB SPACING	9/30/2010	JMC
2	DRAWING REVISION	3/3/2014	MPS

PARTS LIST

ITEM	QTY	PART NUMBER	DESCRIPTION
2	1	C-COLLAR-30IN	30"D COLLAR
2	1	C-LID-30IN-STD	30"D STANDARD LID
3	14	C-RIB	STRUCTURAL RIB
4	1	C-SEAM-10FT	SEAM
5	2	LIFT LUG-PLATE	LIFT LUG
6	1	CONNECTION-4IN-STUB PIPE	4"D STUB PIPE-INLET



11mm x 350mm FRP bond on Outside

SECTIONAL JOINT DETAIL A
SCALE 1/15

Anchor Location

Item	(")	C	Item	(")
Cylinder Thickness	0.400"		Liquid Depth (holding tank)	110"
End Cap Thickness	0.94"		Septic Chamber Depth	N/A
Inlet Height (C.L.)	112"		Effluent Chamber Depth	N/A
Outlet Height (C.L.)	N/A		Chamber Wall Dimensions	N/A
Inlet Diameter	4"		Height:	N/A
Outlet Diameter	N/A		Thickness:	N/A
Rib Dimension (C to C)	16.5"		Opening Diameter:	N/A

DRAWN marks 3/11/2014
CHECKED

MFG

APPROVED

WEIGHT 2,155 kg (4,750 lbs)
 WORKING CAPACITY 48,380L (10,642 IG, 12,770 USG)
 OVERALL CAPACITY 50,216L (11,046 IG, 13,255 USG)

LENGTH 24' 3"

TITLE
BX11000S UNDERGROUND FIBREGLASS
SEWAGE HOLDING TANK



SIZE C

DWG NO
BX11000S-02

REV 2

SCALE

7' Burial Depth

SHEET 1 OF 2

4

3

2

1