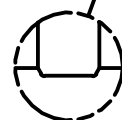
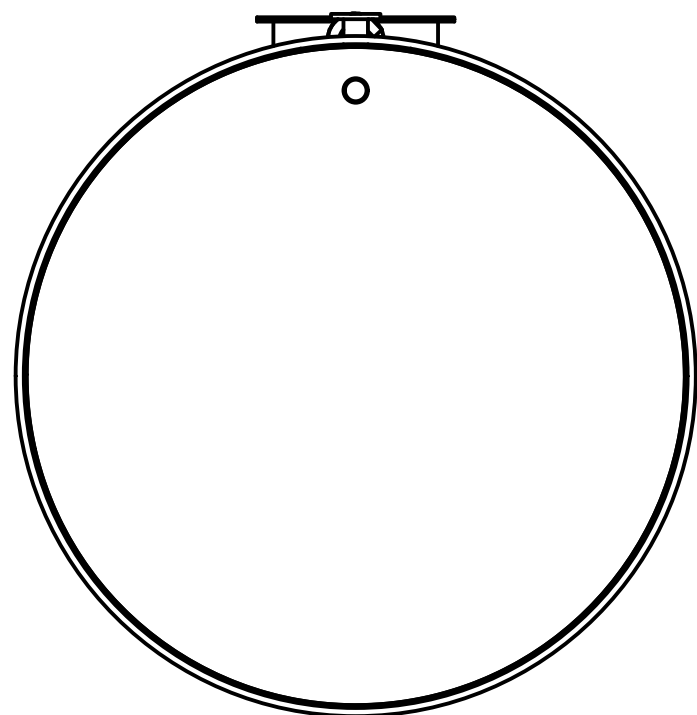
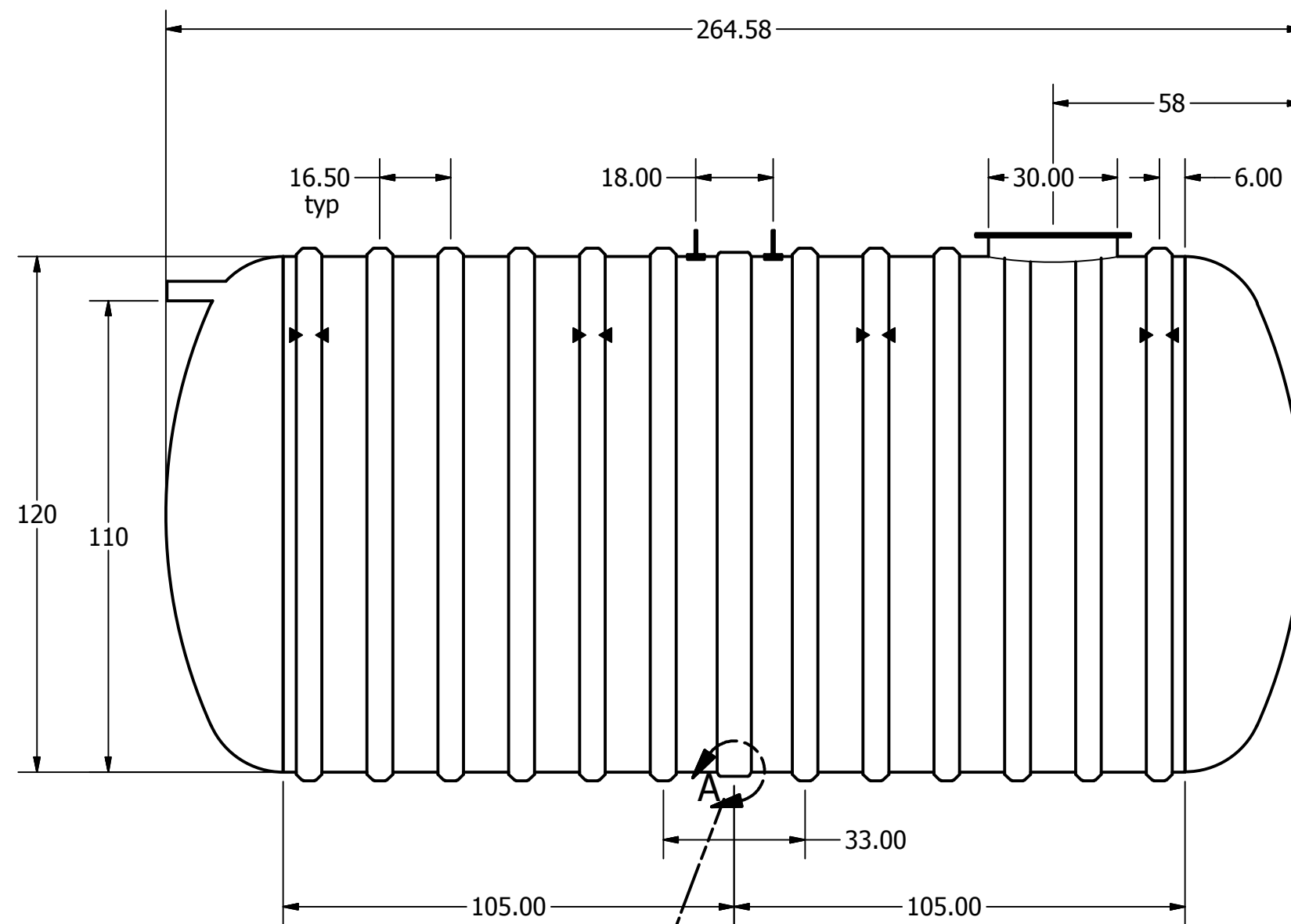
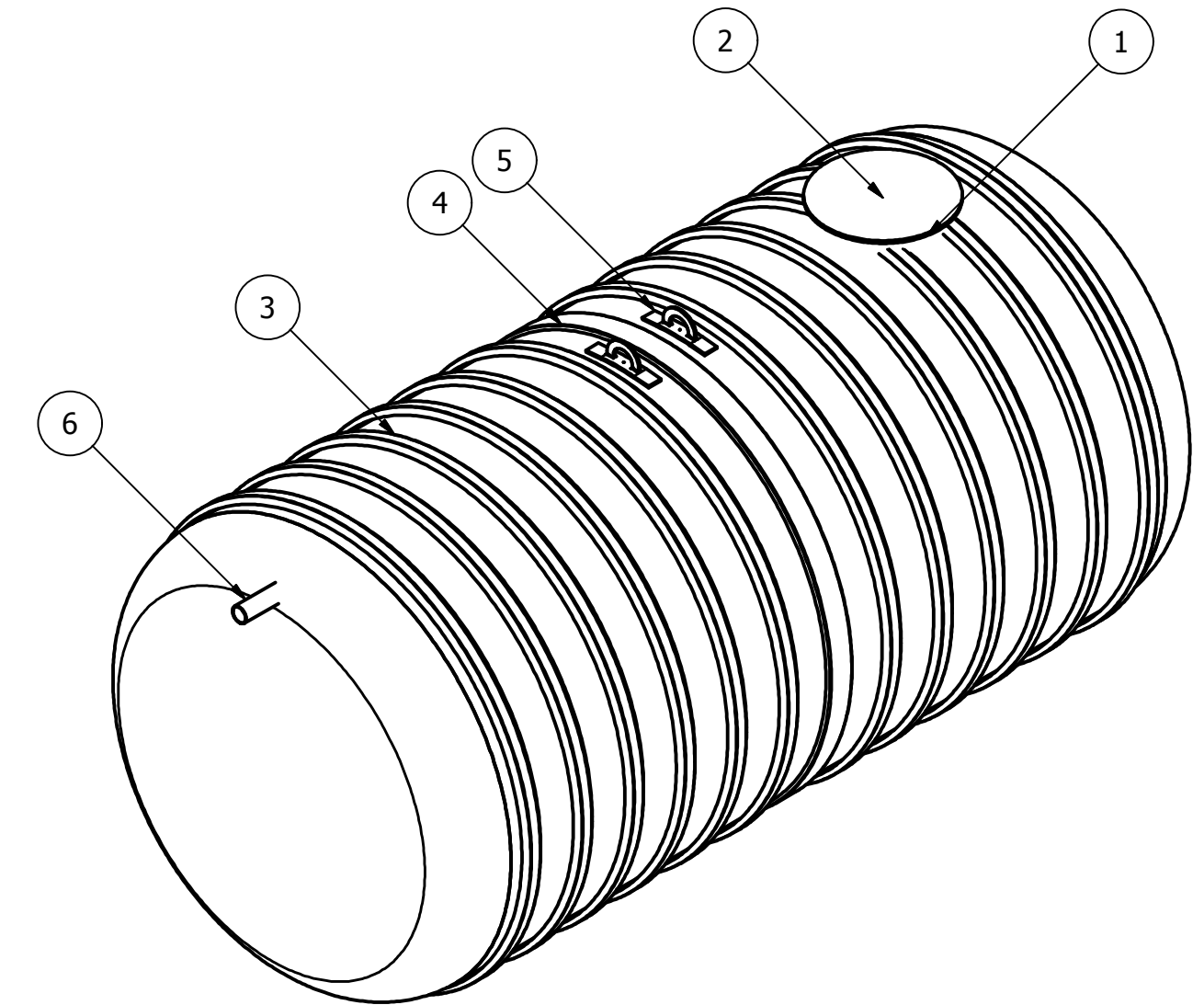
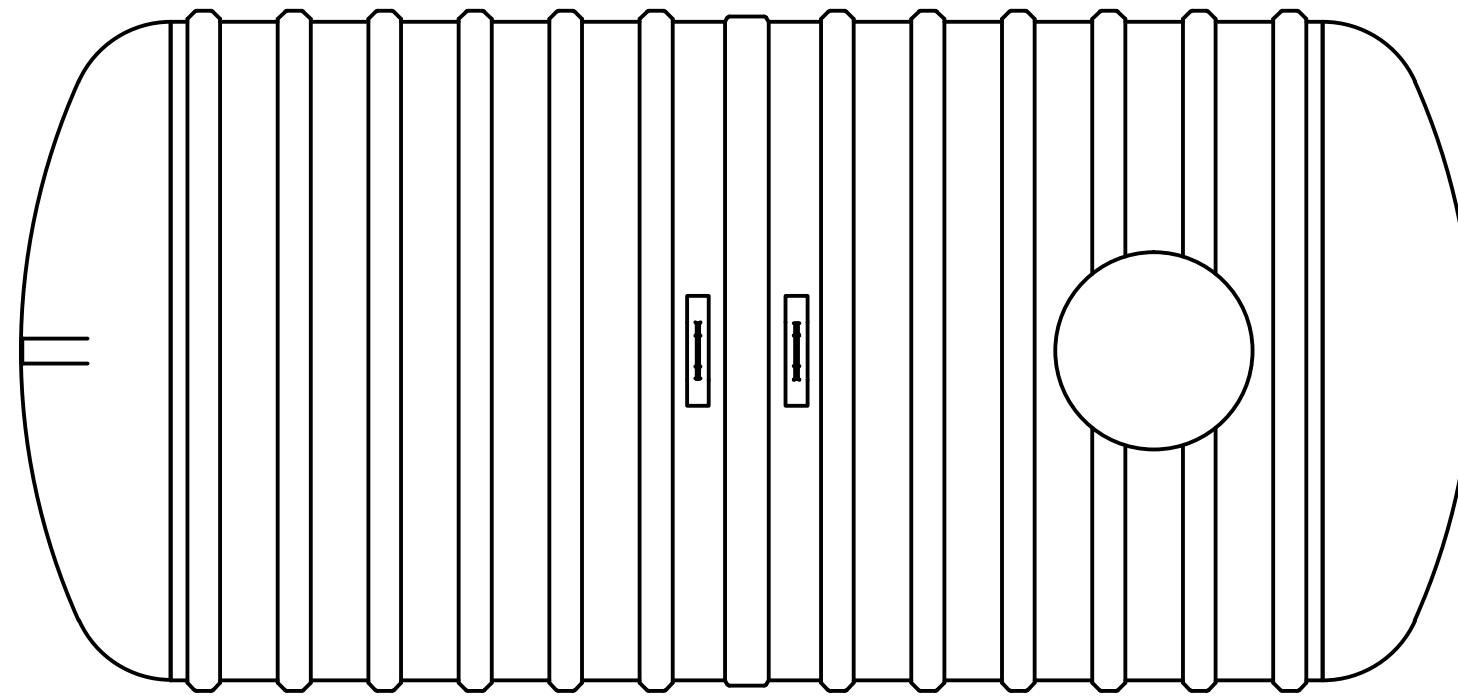


REVISION HISTORY			
REV	DESCRIPTION	DATE	APPROVED
1	RIB SPACING	11/15/2010	JMC
2	DRAWING REVISION	2/12/2014	MPS

PARTS LIST			
ITEM	QTY	PART NUMBER	DESCRIPTION
1	1	C-COLLAR-30IN	30"D COLLAR
2	1	C-LID-30IN-STD	30"D STANDARD LID
3	12	C-RIB	STRUCTURAL RIB
4	1	C-SEAM-10FT	SEAM
5	2	LIFT LUG-PLATE	LIFT LUG
6	1	CONNECTION-4IN-STUB PIPE	4"D STUB PIPE-INLET



6mm x 200mm min. FRP bond on Outside

SECTIONAL JOINT DETAIL A
SCALE 1/25

Anchor Location

Item	(")	C	Item	(")
Cylinder Thickness	0.425"		Liquid Depth (holding tank)	110"
End Cap Thickness	1.03"		Septic Chamber Depth	N/A
Inlet Height (C.L.)	112"		Effluent Chamber Depth	N/A
Outlet Height (C.L.)	N/A		Chamber Wall Dimensions	N/A
Inlet Diameter	4"		Height:	N/A
Outlet Diameter	N/A		Thickness:	N/A
Rib Dimension (C to C)	16.5"		Opening Diameter:	N/A

DRAWN MPS	2/12/2014	TITLE BX10000S DEEP BURIAL UNDERGROUND FIBREGLASS SEWAGE HOLDING TANK	
CHECKED			 MANUFACTURING (2010) INC.
MFG BAL			
APPROVED JMC		SIZE C	DWG NO BX10000S-DB-02
WEIGHT 2,177 kg (4,800 lbs)	LENGTH 22' 1"	SCALE	REV 2
WORKING CAPACITY 43,750L (9,624 IG, 11,549 USG)			
OVERALL CAPACITY 45,398L (9,986 IG, 11,983 USG)			
		10' Burial Depth	SHEET 1 OF 2